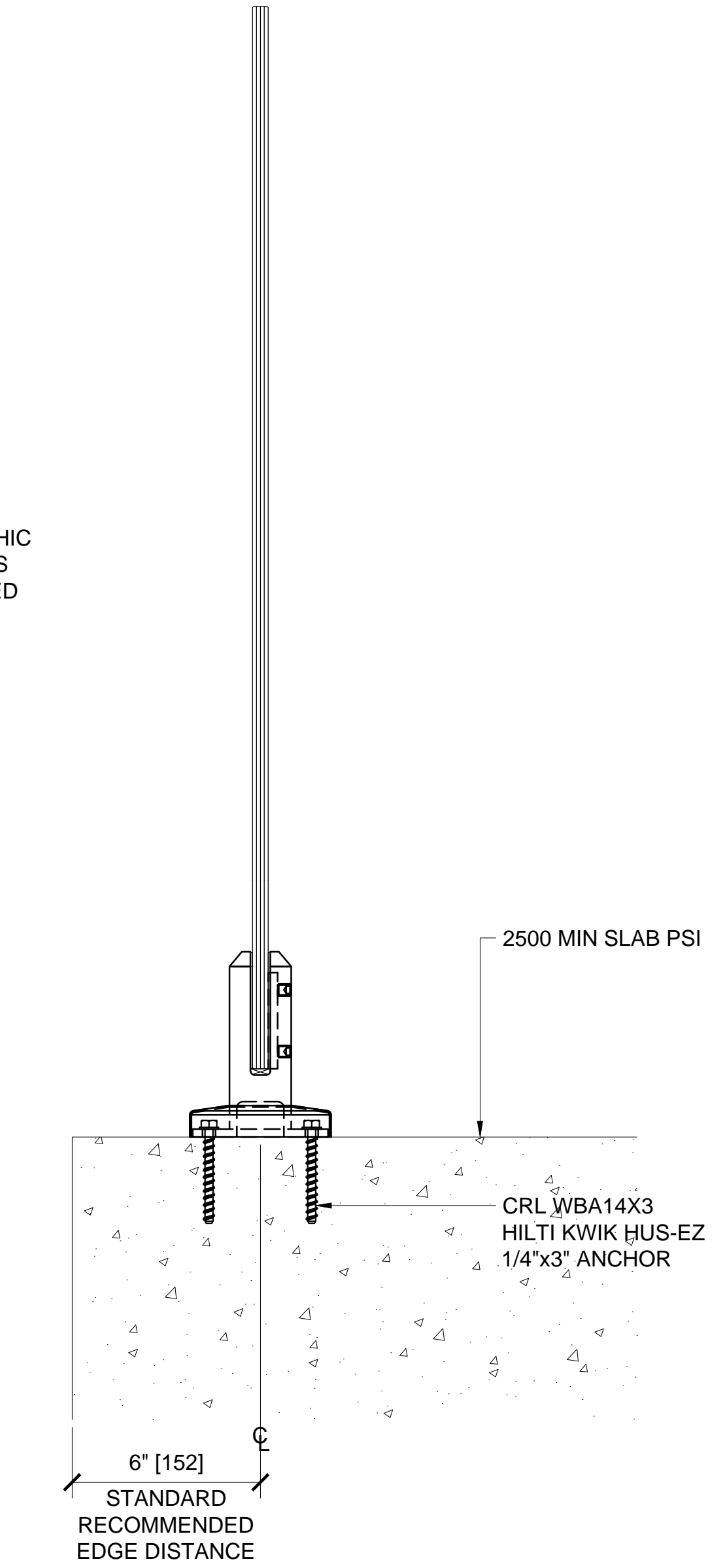
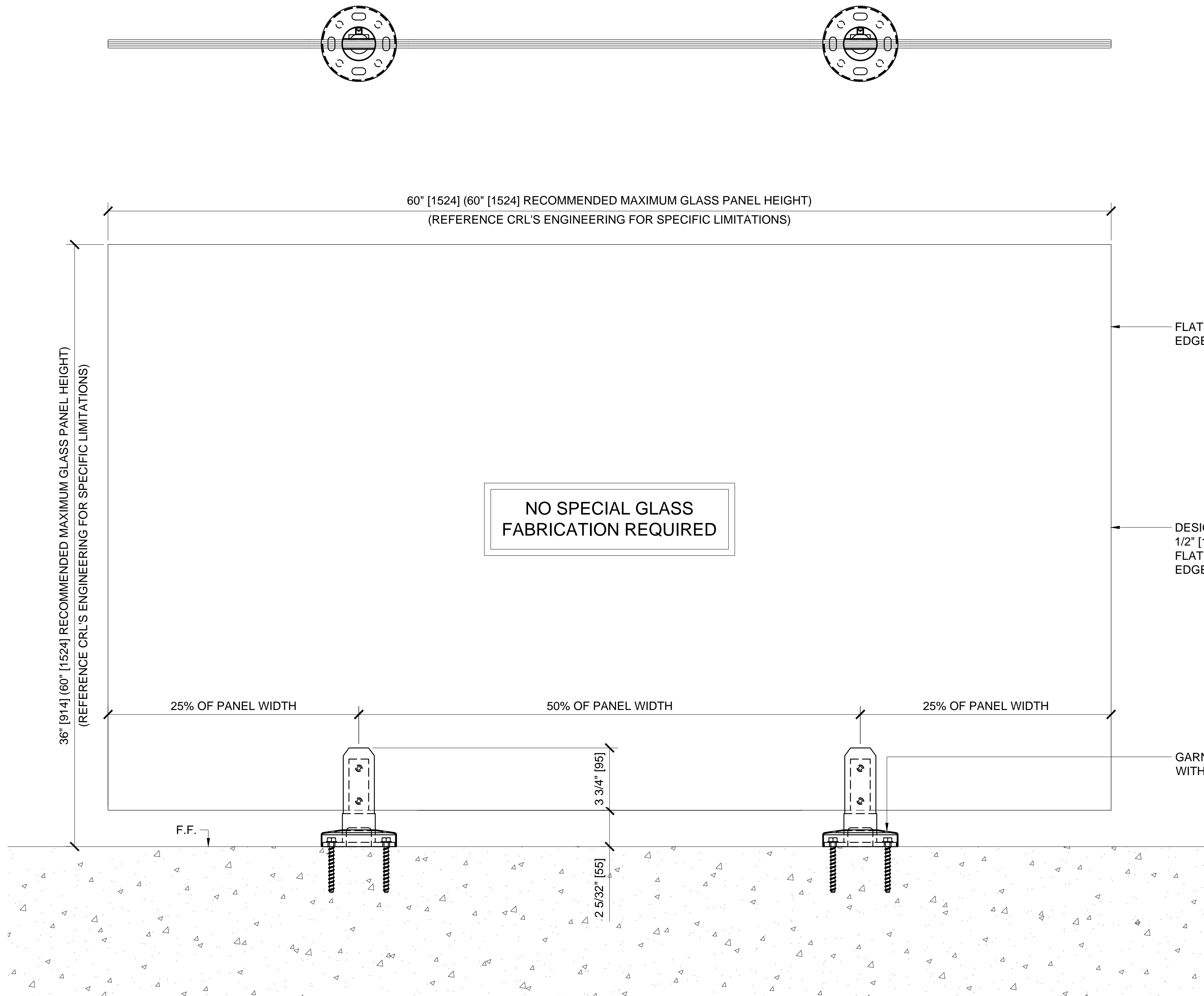




FWCR20 - CRL ONE PIECE SURFACE MOUNT ROUND FRAMELESS WINDSCREEN CLAMPS

THESE FRICTION FIT CLAMPS ARE INTENDED FOR INSTALLATIONS WITHOUT HOLES THROUGH THE GLASS. THESE CLAMPS DON'T HAVE A THROUGH GLASS BOLTING OPTION AND ARE INTENDED FOR LOCATIONS WITH LESSER WIND LOADS OR SMALL LIGHT SIZES AND WHERE FALL PROTECTION TYPICALLY IS NOT REQUIRED.



① WINDSCREEN INTERIOR ELEVATION

1'-0"=1'-0"

② WINDSCREEN SECTION

1'-0"=1'-0"

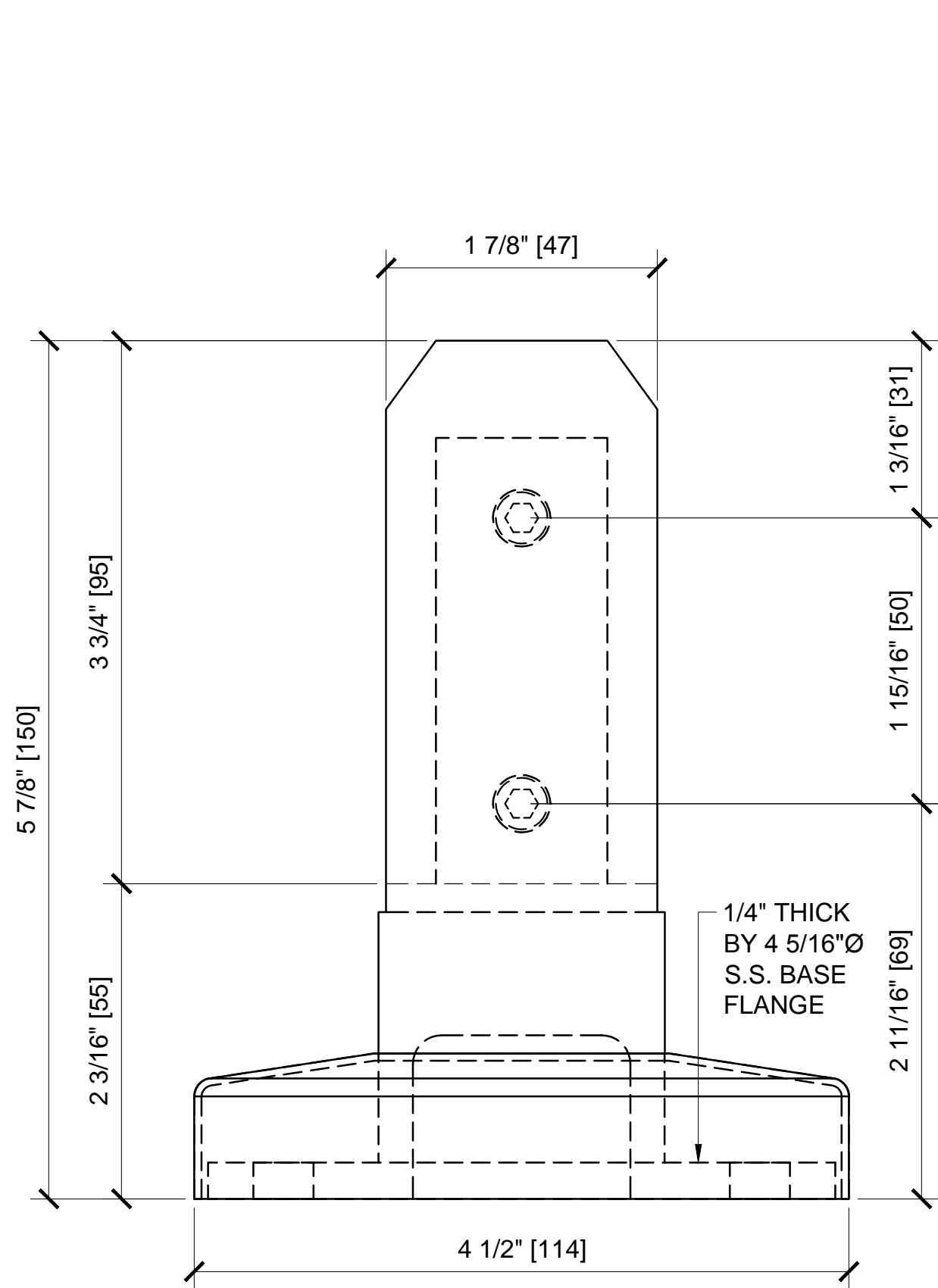
CATALOG NUMBER	FINISH
FWCR20BS	BRUSHED STAINLESS - 316L LOW CARBON S.S.
FWCR20PS	POLISHED STAINLESS - 316L LOW CARBON S.S.

Revisions By:

C.R. LAURENCE CO. ARCHITECTURAL PRODUCTS
2503 E. Vernon Avenue, Los Angeles, CA 90058-1897
PH: (800)-421-6144 FX: 800-587-7301 www.crlaurence.com

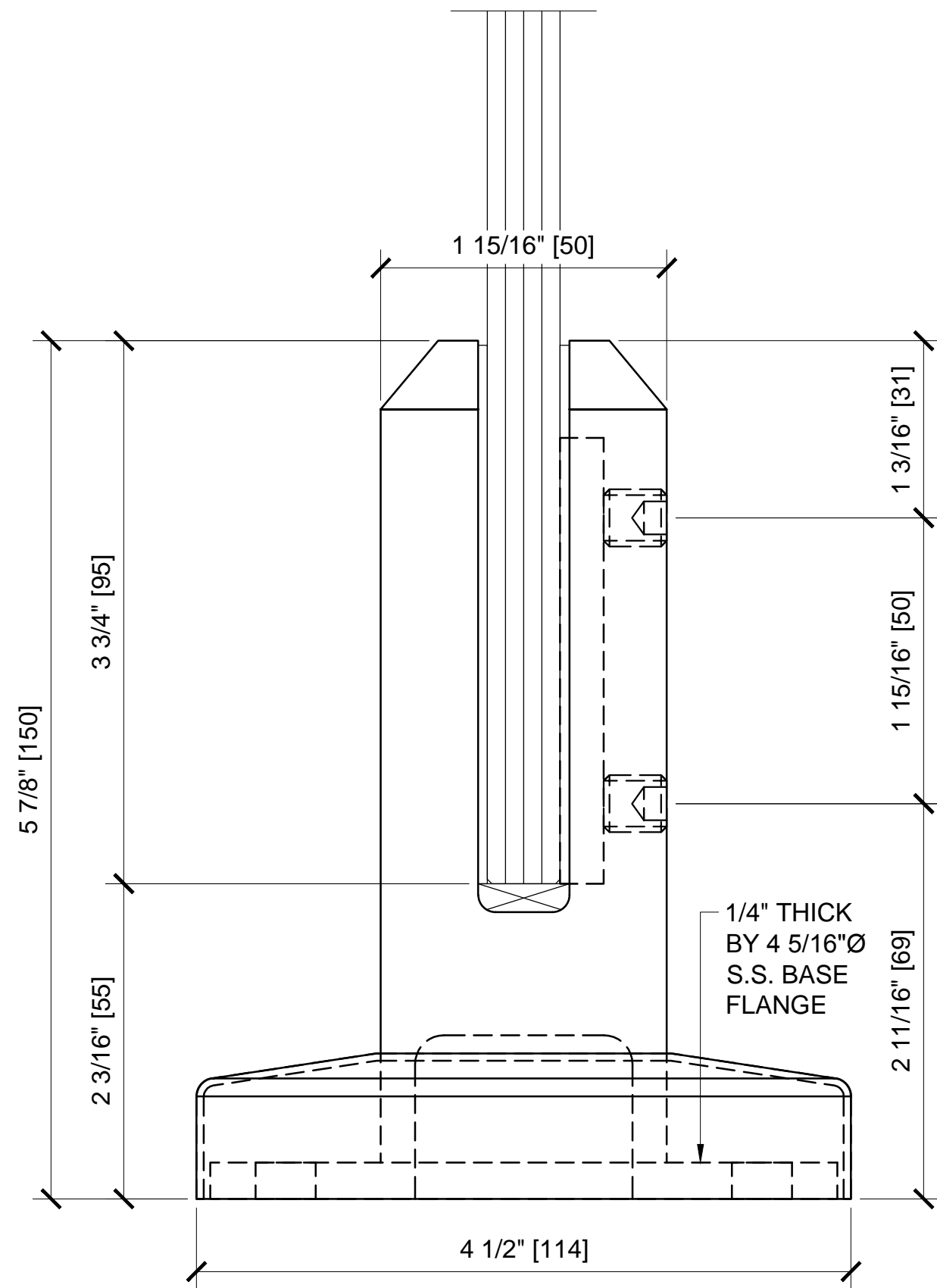
Description:
FSC FRAMELESS
WINDSCREEN SYSTEMS

Drawn By: AAD
Date: 1/15/16
Scale: AS NOTED
File Name: 04-FWCR20-One Piece Surface Mount Round Frameless Windscreen System.dwg



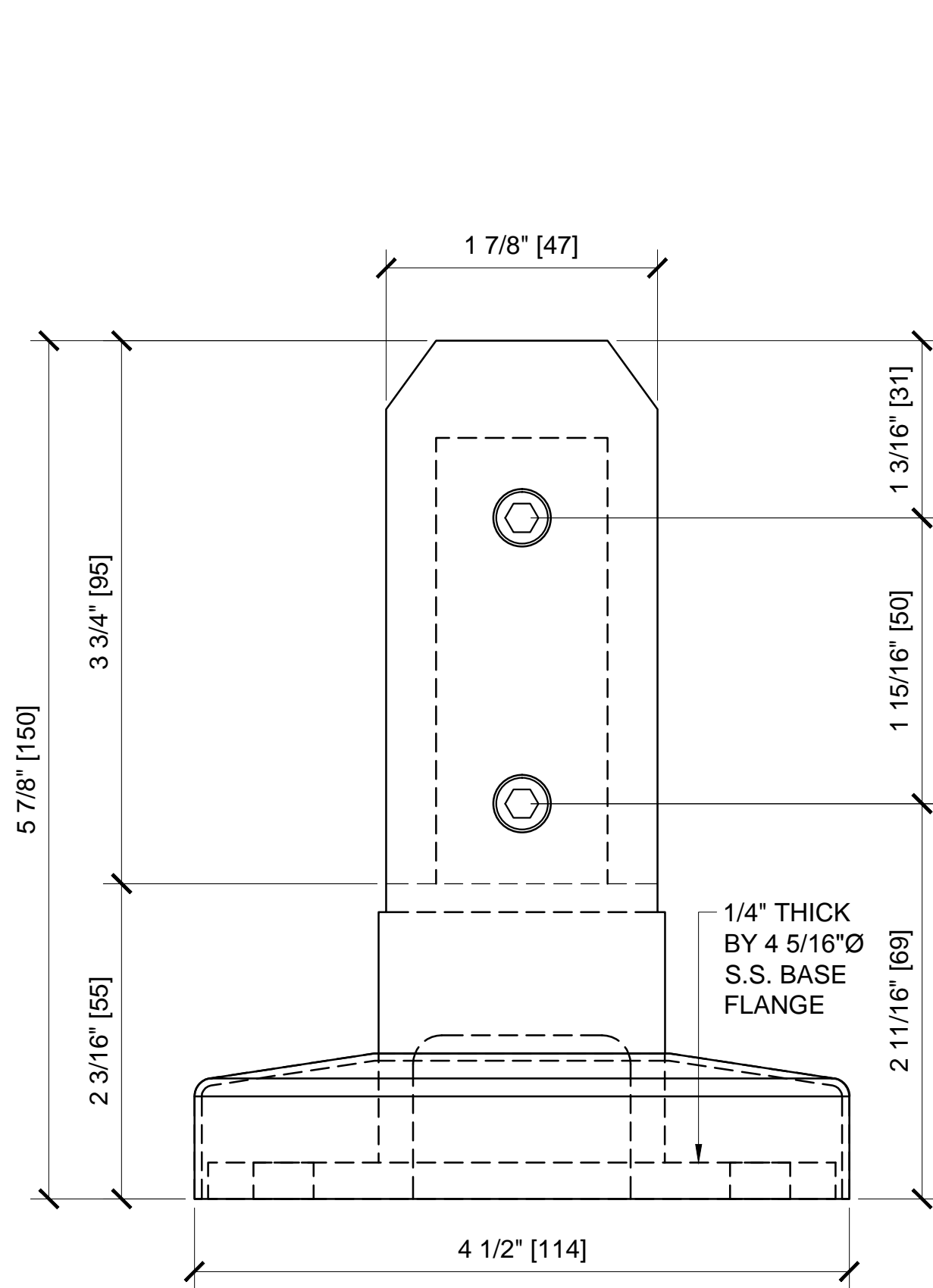
① FWCR20 FRONT VIEW

1'-0"=1'-0"



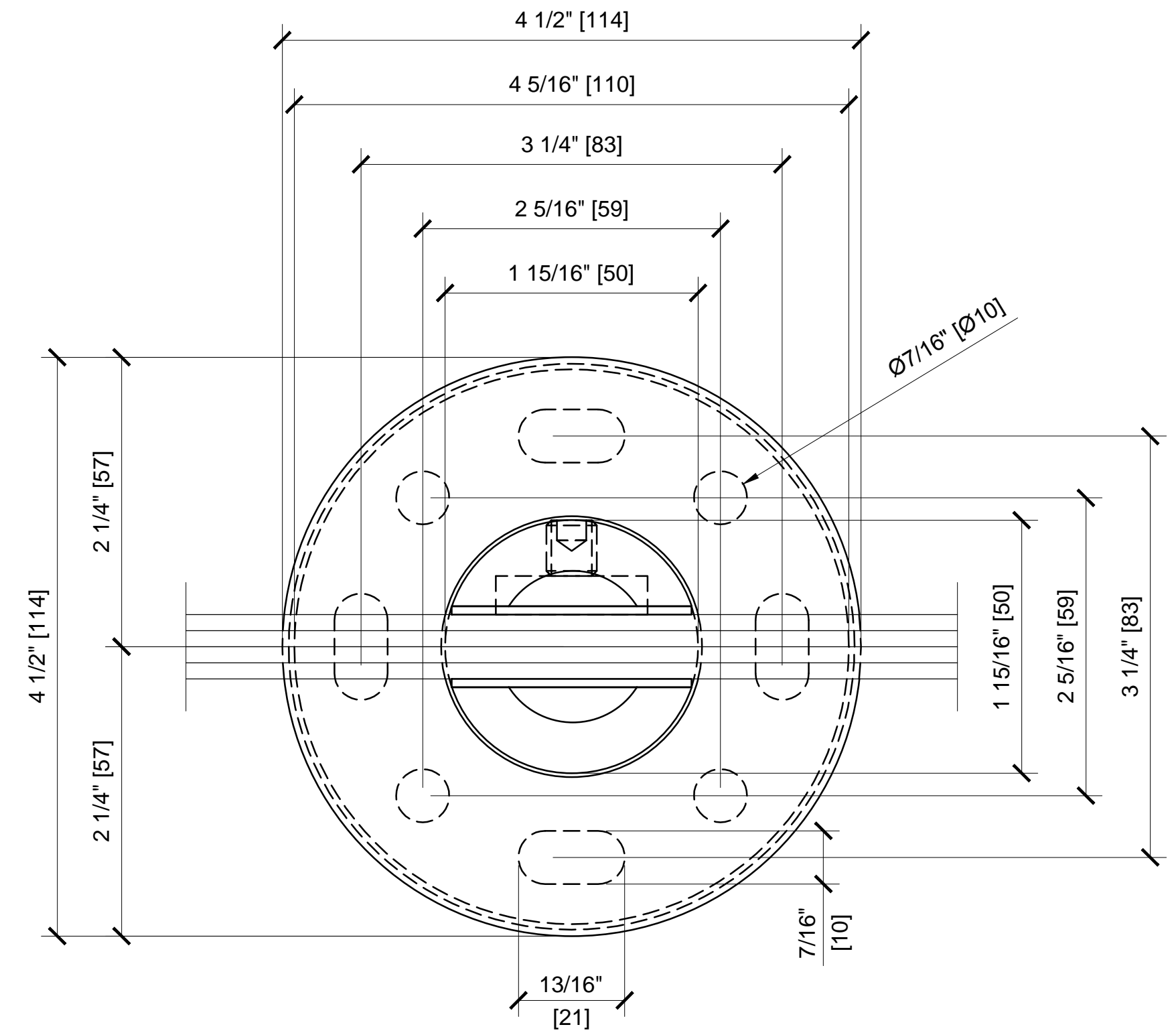
② FWCR20 SIDE VIEW

1'-0"=1'-0"



③ FWCR20 REAR VIEW

1'-0"=1'-0"



④ FWCR20 TOP VIEW

1'-0"=1'-0"

Description:

FSC FRAMELESS
 WINDSCREEN SYSTEMS

Drawn By: AAD

Date: 1/15/16

Scale: AS NOTED

File Name:
 04-FWCR20-One Piece Surface Mount
 Round Frameless Windscreen System.dwg

Sheet