



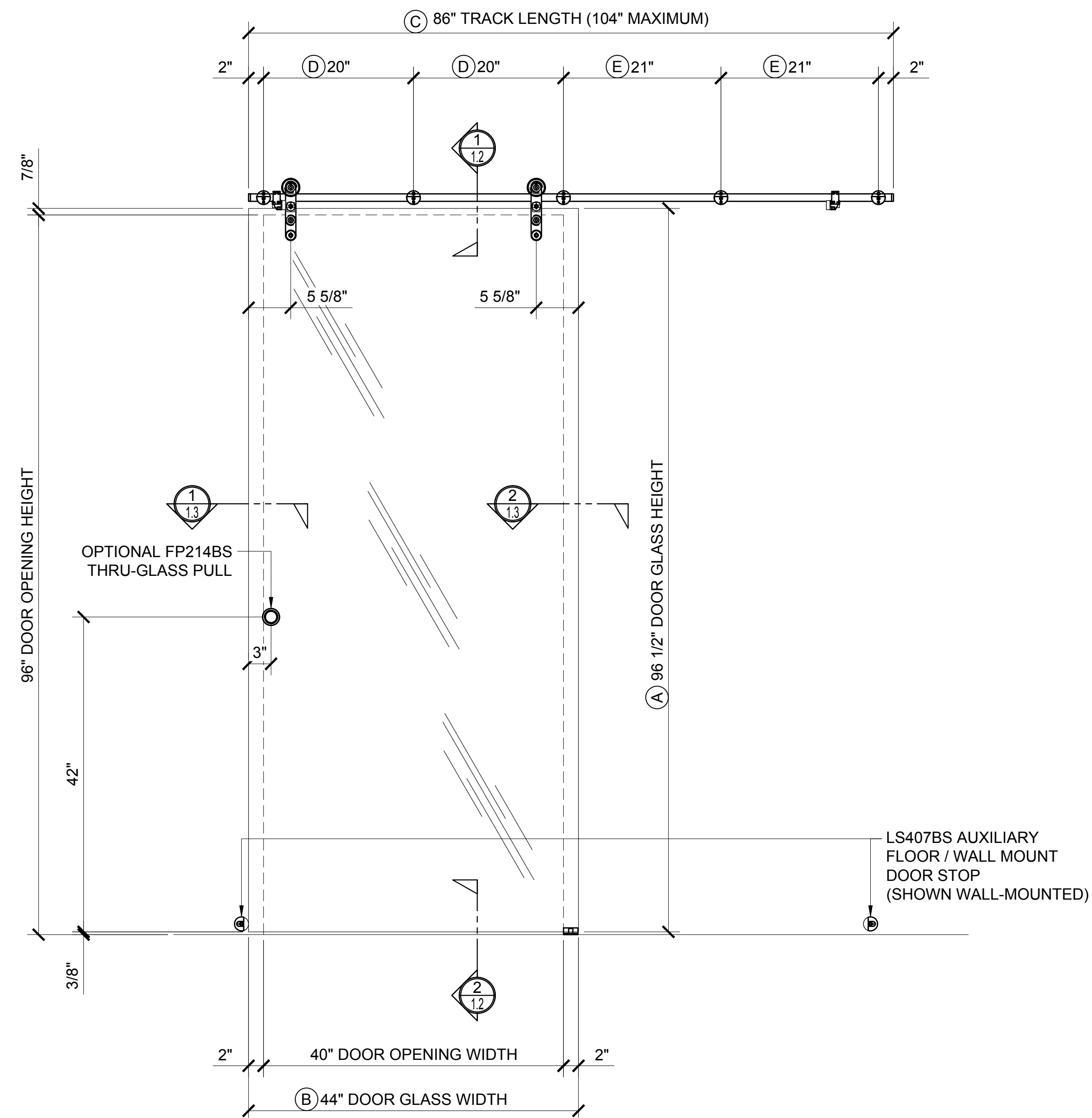
DOOR SYSTEM LIMITATIONS
 MAXIMUM DOOR WEIGHT: 220 lbs. (100 kg)
 MAXIMUM PANEL WIDTH: 53 1/2" (1.36m)
 MAXIMUM PANEL HEIGHT: 98 7/16" (2.50m)
 MAXIMUM TRACK LENGTH: 104" (2.64m)

- * ANTI-LIFT FEATURE FOR ADDED SAFETY
- * ALL 316 ALLOY BRUSHED STAINLESS STEEL CONSTRUCTION
- * IDEAL FOR INTERIOR APPLICATIONS
- * FOR USE WITH 3/8" OR 1/2" (10mm OR 12mm) GLASS
- * COMES WITH ALL FASTENERS NEEDED FOR EITHER FLUSH (COUNTERSUNK) OR SURFACE (STRAIGHT HOLE) MOUNTING
- * ADAPTOR KITS AVAILABLE FOR WOOD DOOR APPLICATIONS

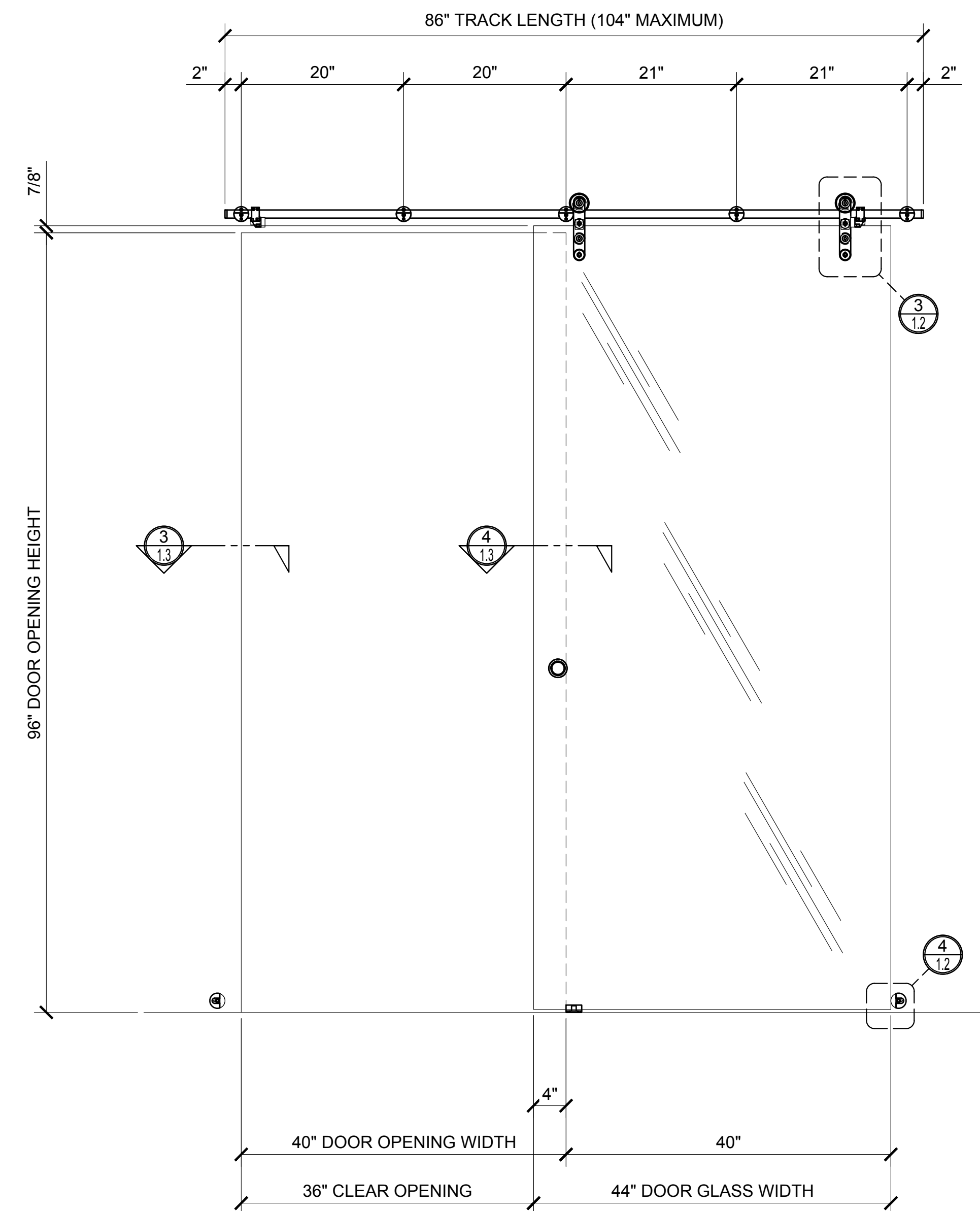
CRL LSWM5BS LAGUNA SERIES WALL MOUNT SINGLE SLIDER

Revisions By:

C.R. LAURENCE CO. ARCHITECTURAL PRODUCTS
 2503 E. Vernon Avenue, Los Angeles, CA 90058-1897
 PH: (800)-421-6144 FX: 800-587-7301 www.crlaurence.com



① LAGUNA SERIES DOOR (CLOSED)
 ARCH REF: NONE 1"=1'-0"



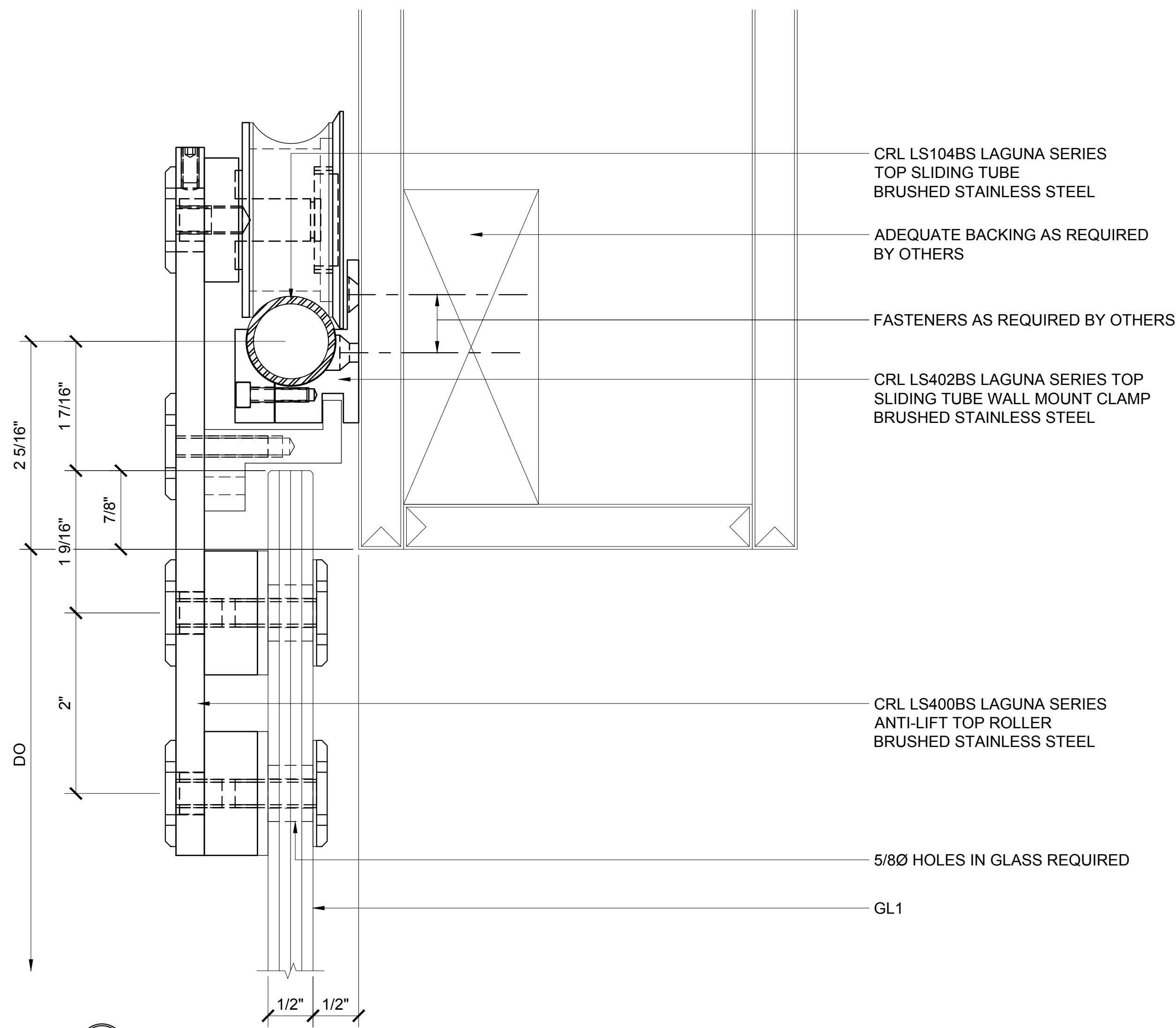
② LAGUNA SERIES DOOR (OPEN)
 ARCH REF: NONE 1"=1'-0"

- Ⓐ D.O.H. + 1/2"
- Ⓑ D.O.W. + 4"
- Ⓒ (D.O.W. x 2) + 6"
- Ⓓ D.O.W. / 2
- Ⓔ (Ⓑ / 2) - 1"

D.O.H. = DOOR OPENING HEIGHT
 D.O.W. = DOOR OPENING WIDTH

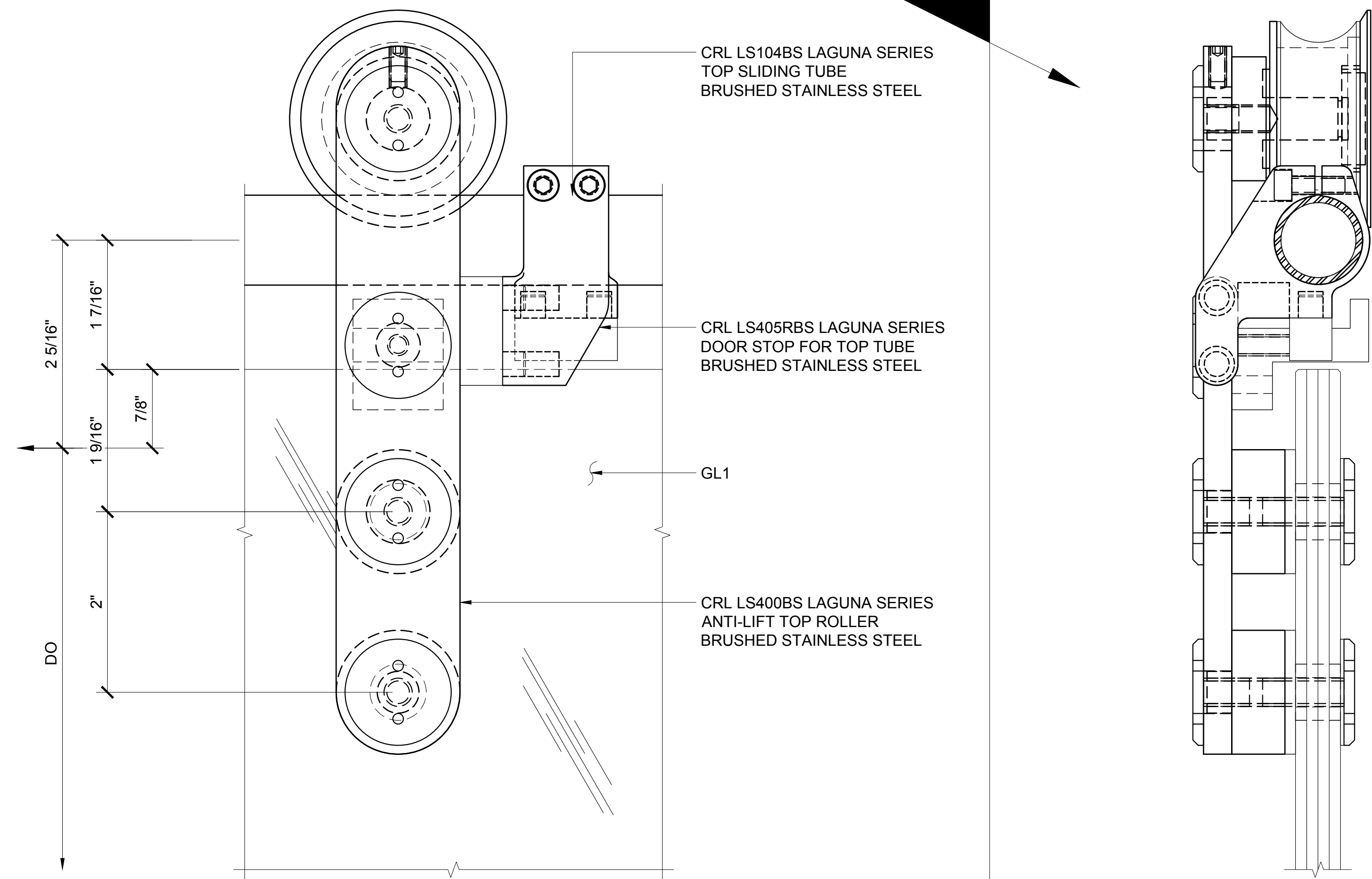
Description:
 CRL LAGUNA OFFICE
 PARTITION SYSTEM

Drawn By: AAD
 Date: 3/3/16
 Scale: AS NOTED
 File Name:
 1.CRL LSWM5BS LAGUNA SERIES WALL
 MOUNT SINGLE SLIDER.dwg
 Sheet



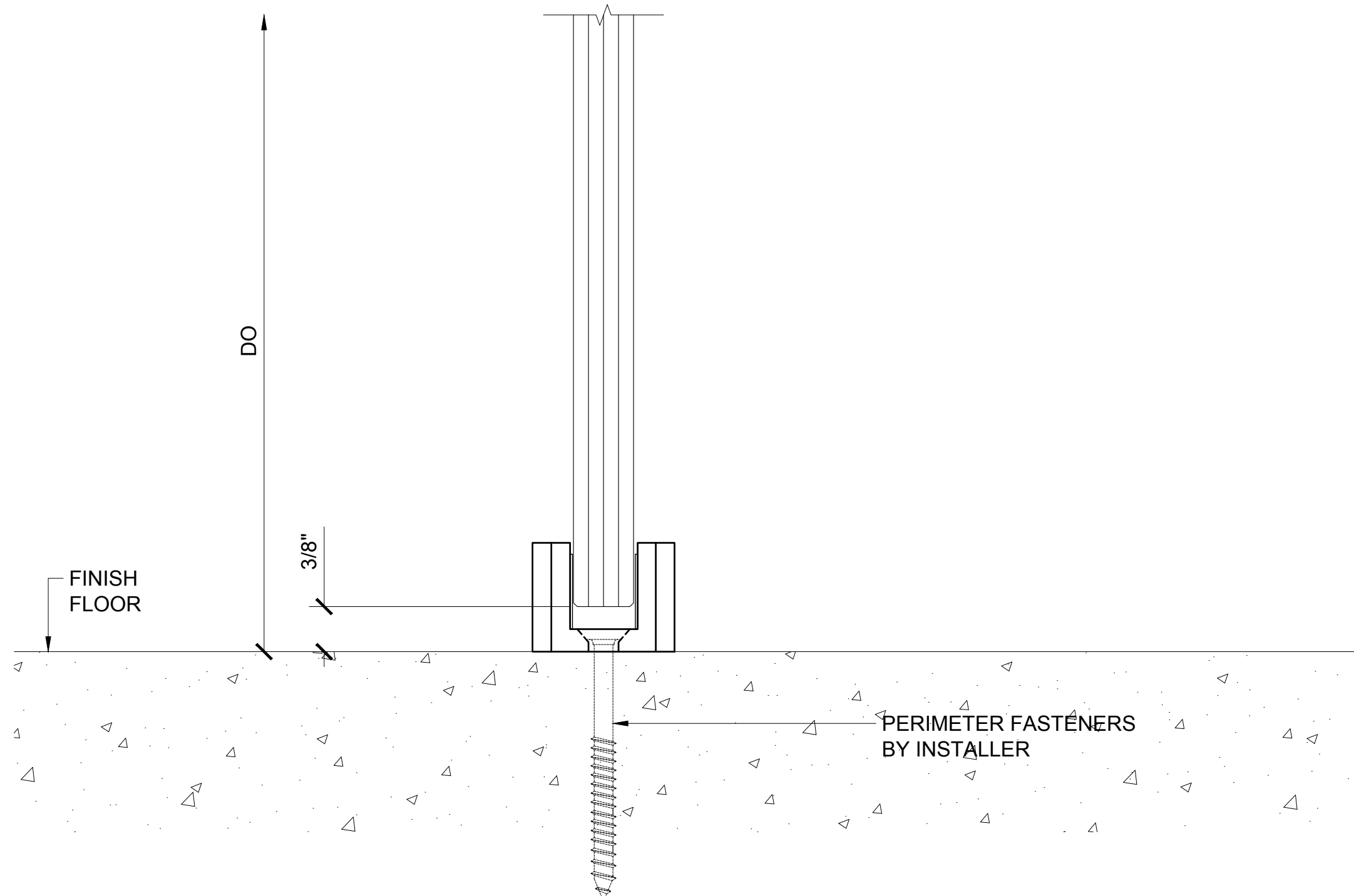
1 DOOR HEAD DETAIL

ARCH REF: 1'-0"=1'-0"



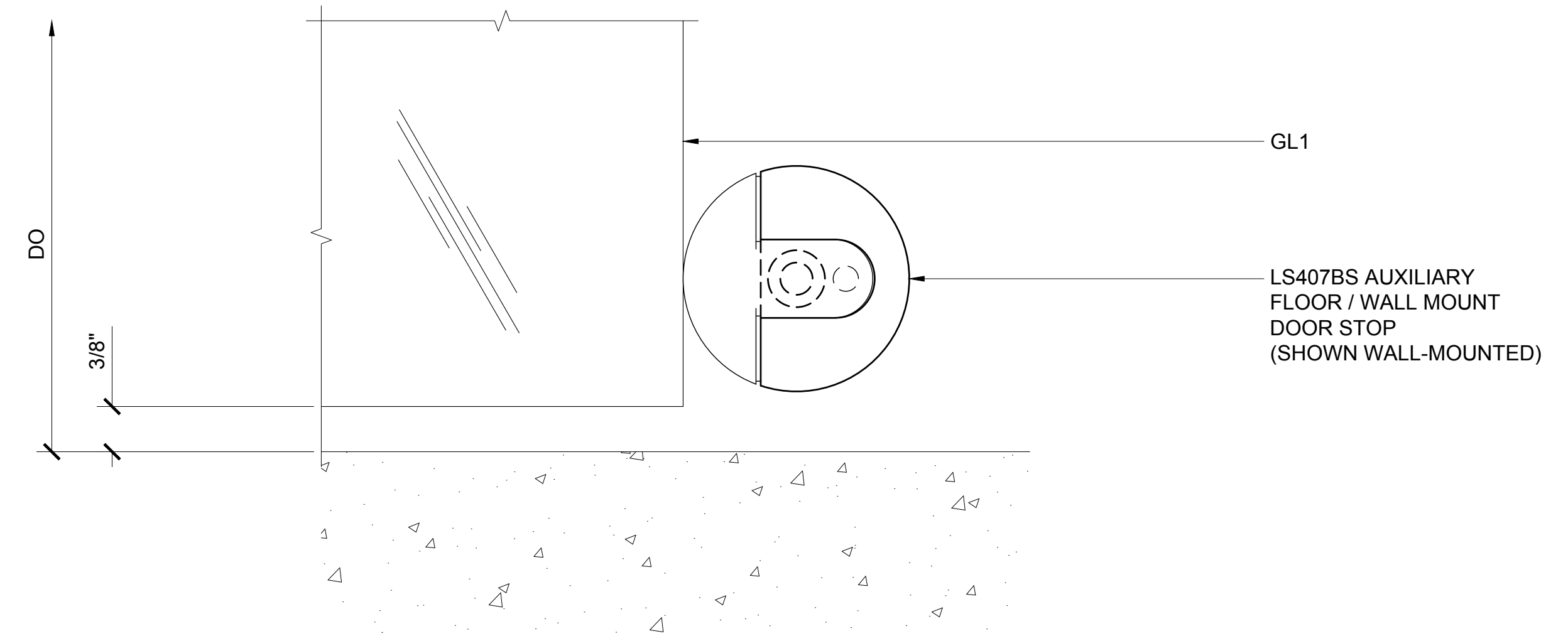
3 TOP BUMPER DETAIL

ARCH REF: 1'-0"=1'-0"



2 DOOR SILL DETAIL

ARCH REF: 1'-0"=1'-0"

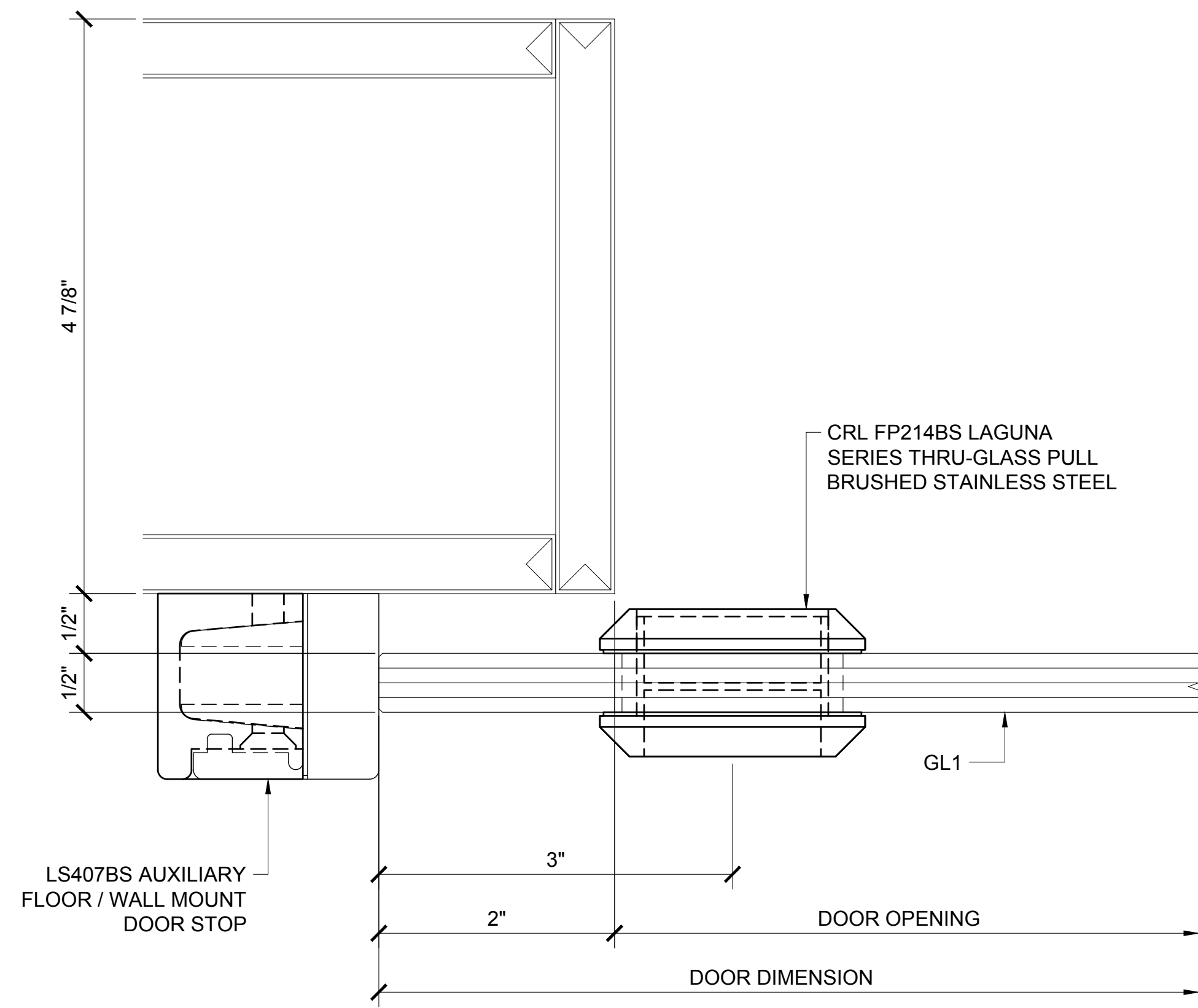


4 BOTTOM BUMPER DETAIL

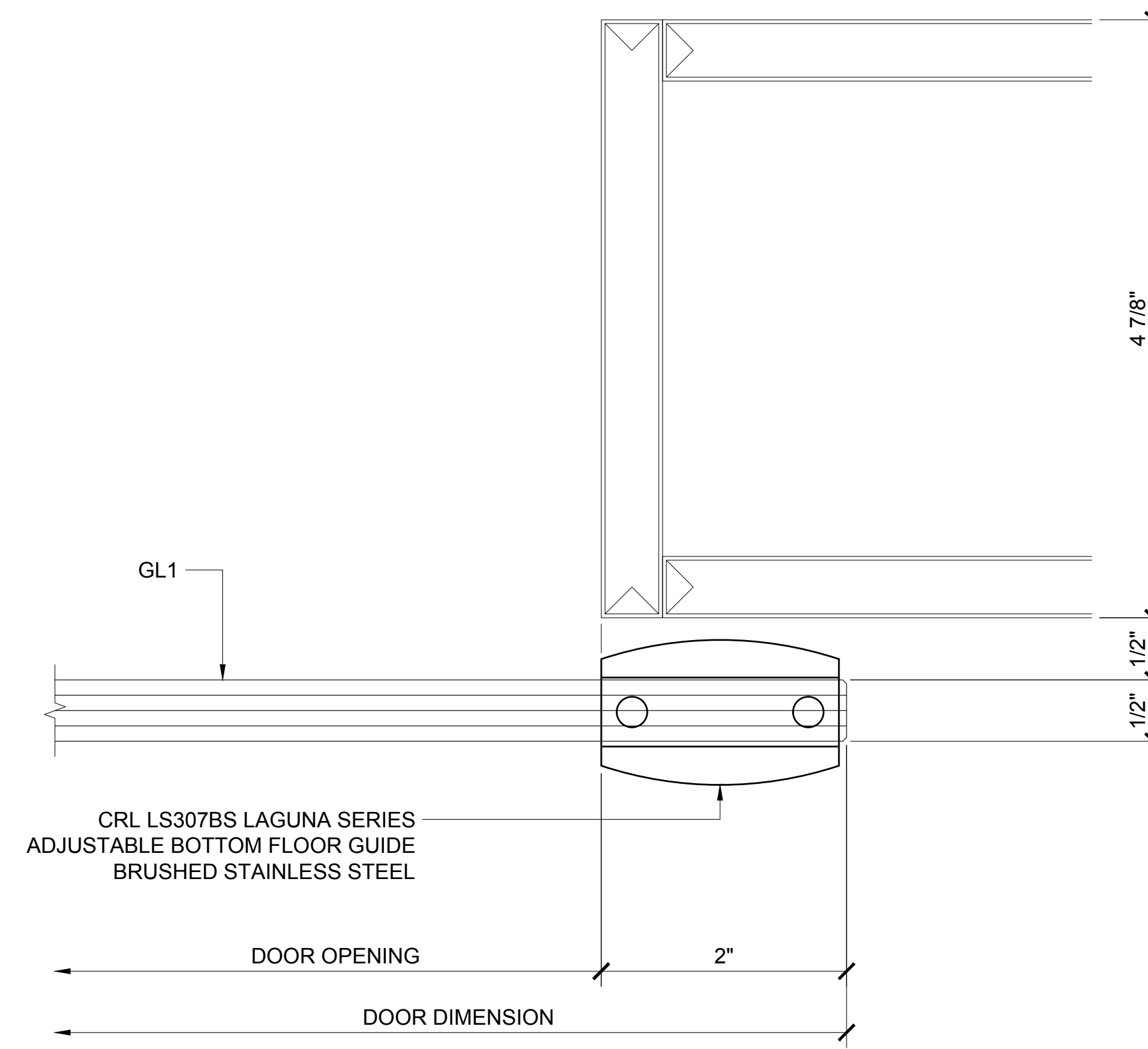
ARCH REF: 1'-0"=1'-0"

Discription:
CRL LAGUNA OFFICE
PARTITION SYSTEM

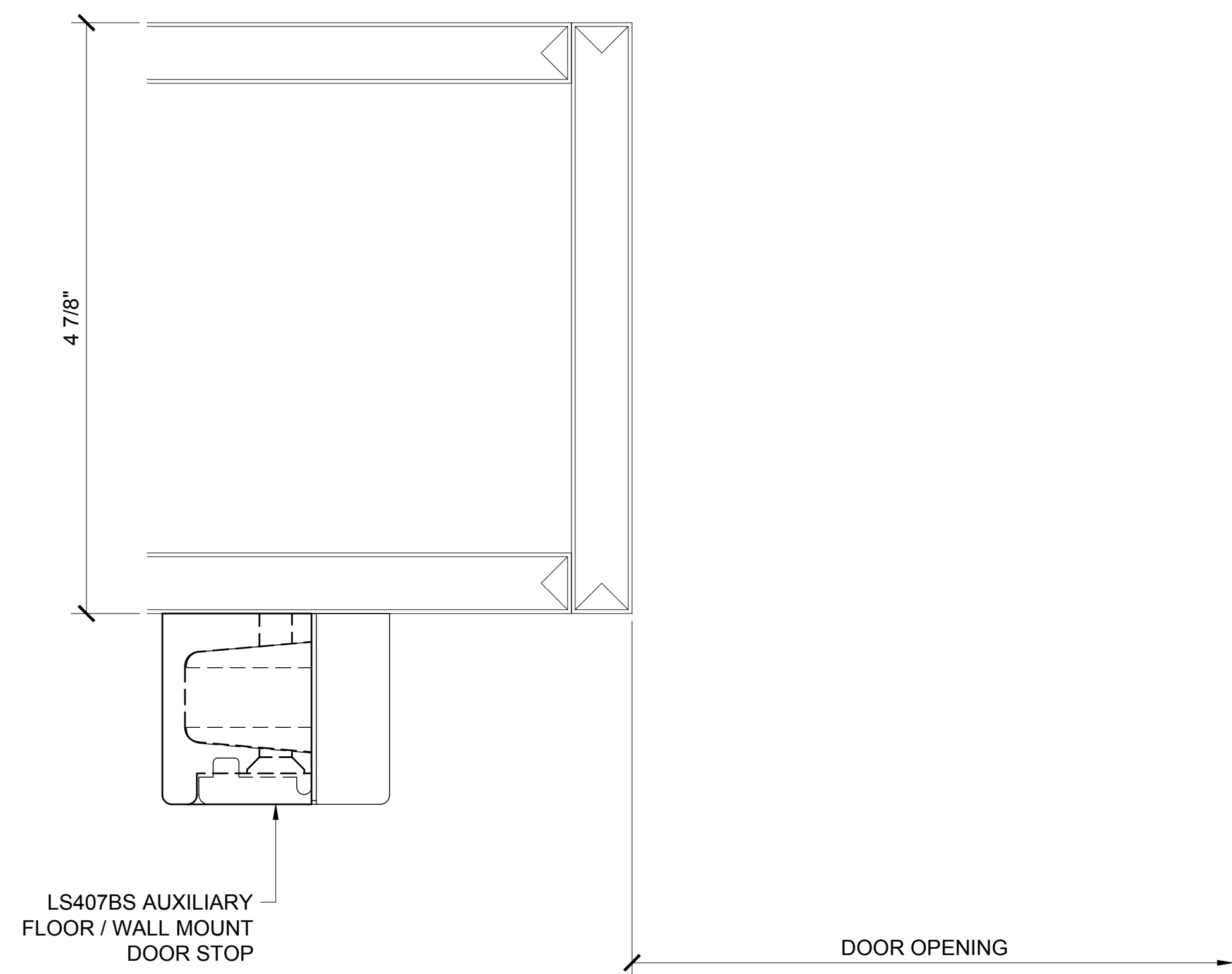
Drawn By: AAD
Date: 3/3/16
Scale: AS NOTED
File Name: 1-CRL LSWM5BS LAGUNA SERIES WALL MOUNT SINGLE SLIDER.dwg
Sheet



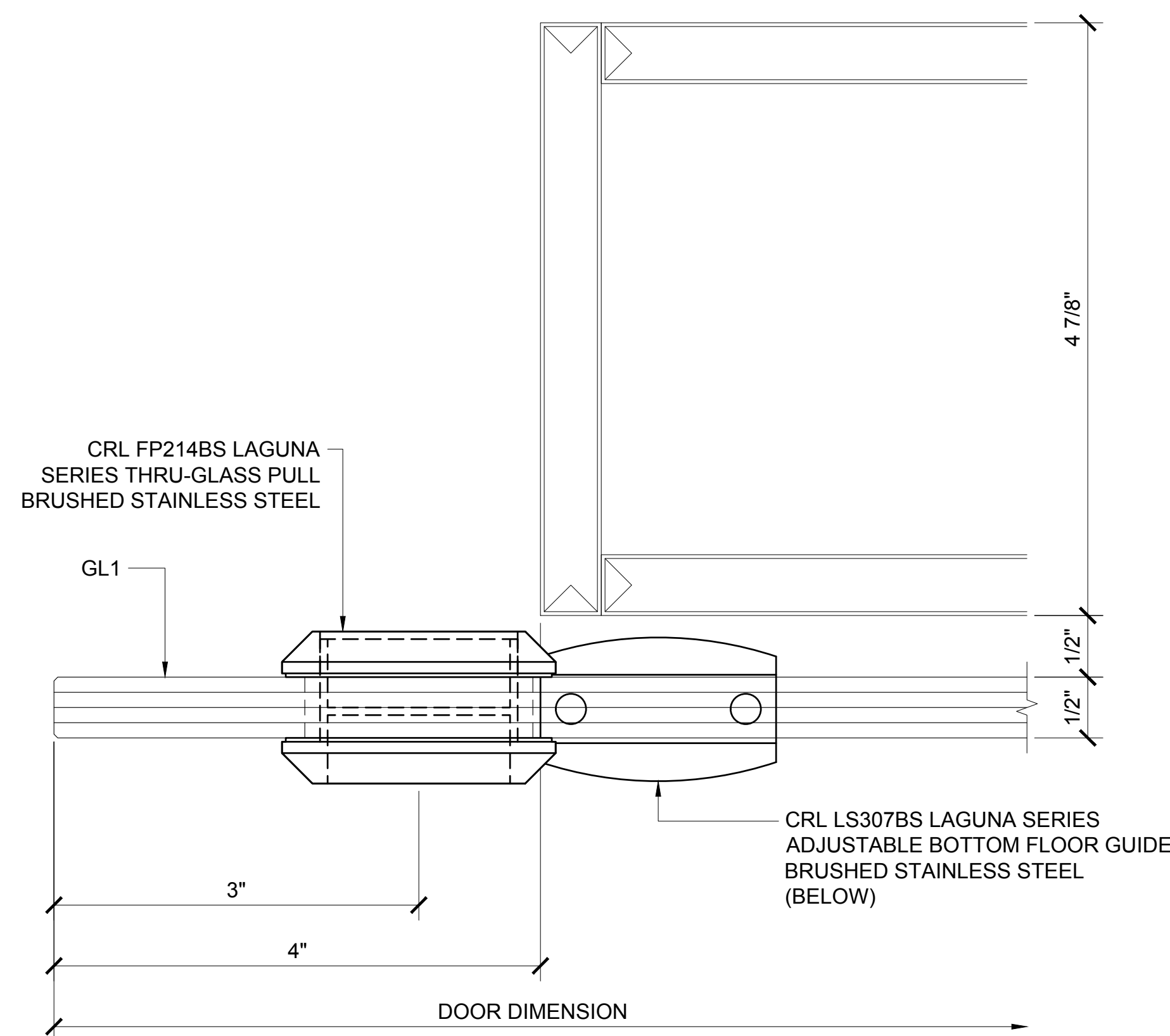
① DOOR JAMB DETAIL (DOOR CLOSED)
 ARCH REF: 1'-0"=1'-0"



② DOOR JAMB DETAIL (DOOR CLOSED)
 ARCH REF: 1'-0"=1'-0"



③ DOOR JAMB DETAIL (DOOR OPEN)
 ARCH REF: 1'-0"=1'-0"



④ DOOR JAMB DETAIL (DOOR OPEN)
 ARCH REF: 1'-0"=1'-0"

Revisions By:



Description:
 CRL LAGUNA OFFICE
 PARTITION SYSTEM

Drawn By: AAD
 Date: 3/3/16
 Scale: AS NOTED
 File Name:
 1-CRL LSWM5BS LAGUNA SERIES WALL
 MOUNT SINGLE SLIDER.dwg
 Sheet