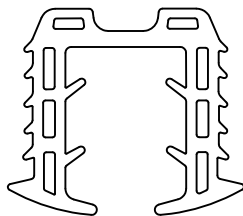


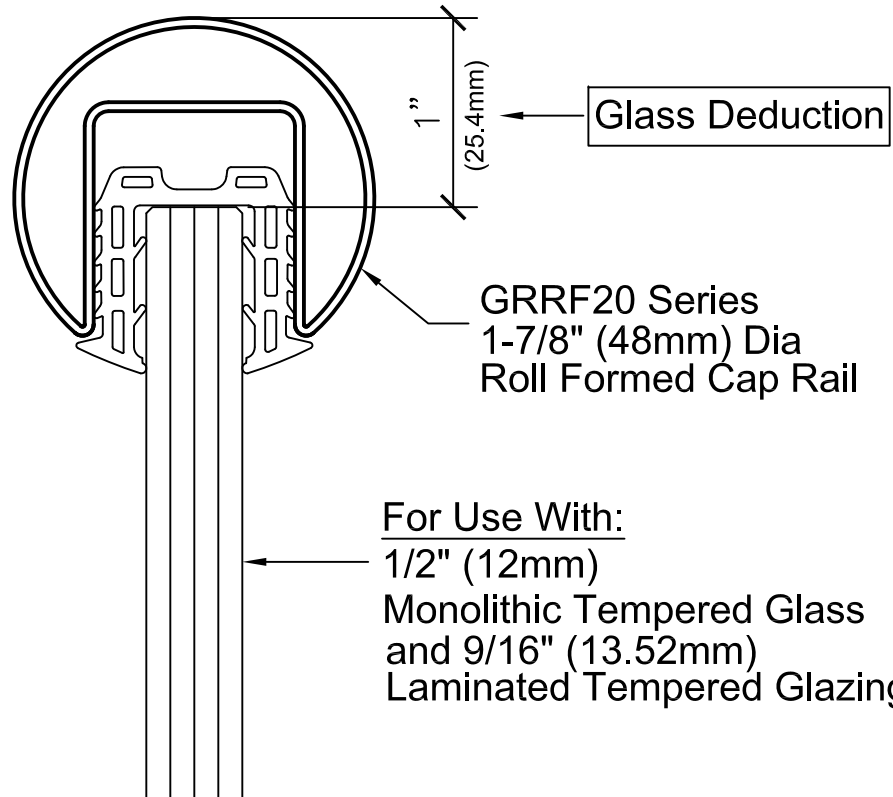
**CRL Cat # GRRF20 Series Cap Rails**

Available in Brushed and Polished Stainless Finishes



**CRL Cat # GRRF2013PV**

Protective Rubber Inserts



GRRF20 Series  
1-7/8" (48mm) Dia  
Roll Formed Cap Rail

For Use With:

1/2" (12mm)  
Monolithic Tempered Glass  
and 9/16" (13.52mm)  
Laminated Tempered Glazing

