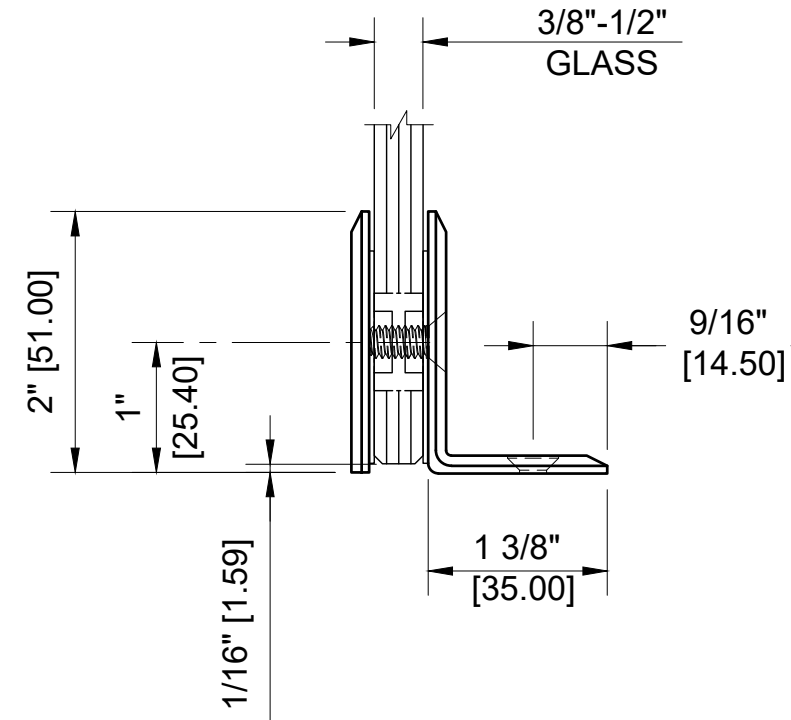
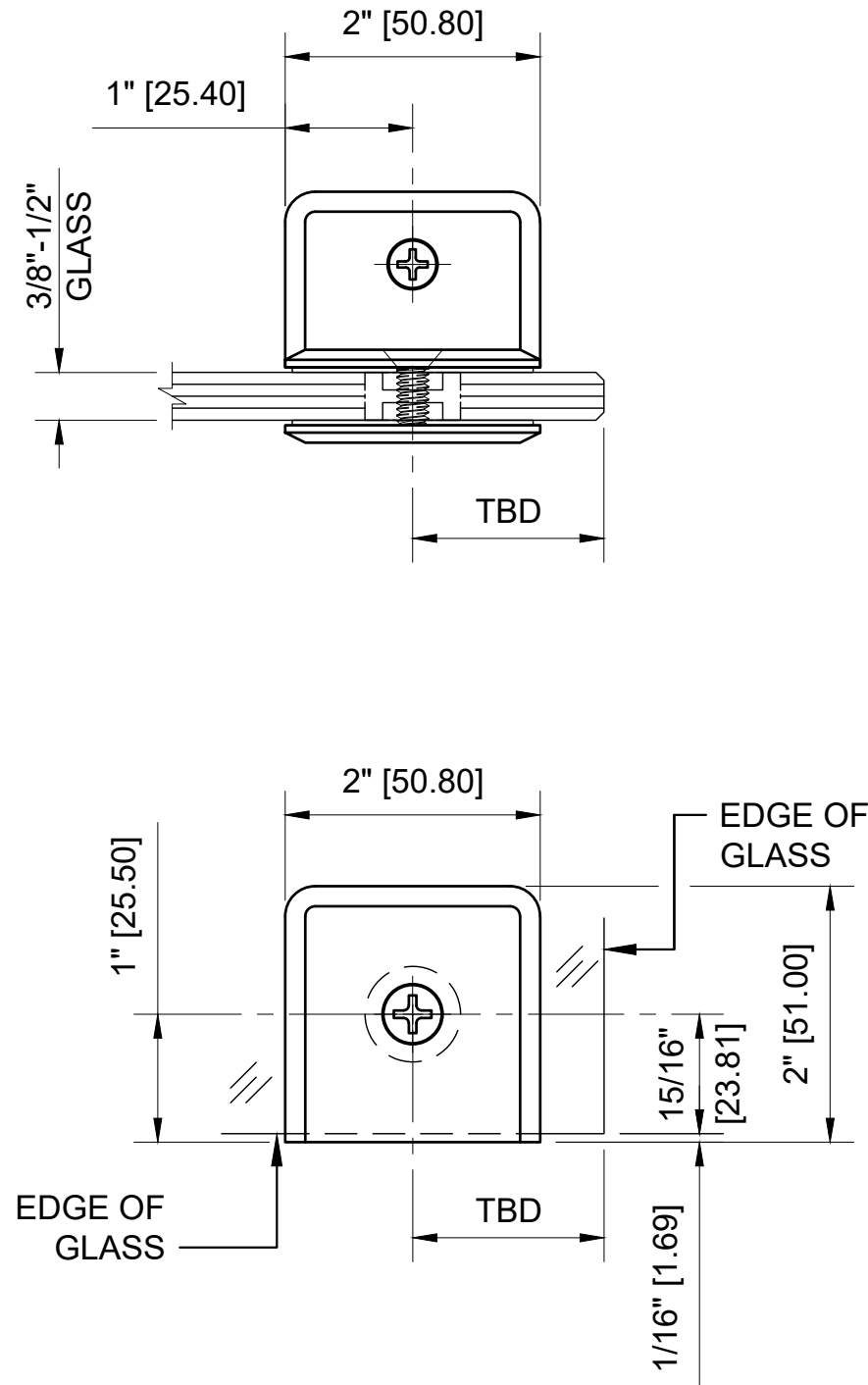


USE OF GASKETS

FOR 3/8" (10mm) GLASS:  
 FOR 1/2" (12mm) GLASS:



**BGC037XX - CRL BEVELED STYLE HOLE IN GLASS FIXED PANEL SMALL LEG CLAMP**

DATE: 10-28-2019  
 SCALE: 6"=1'-0"  
 DRAWN BY: VM

DESCRIPTION: CRL FIXED PANEL BEVELED CLAMP  
 CTS  
 BGC037 - SMALL LEG GLASS CLAMP

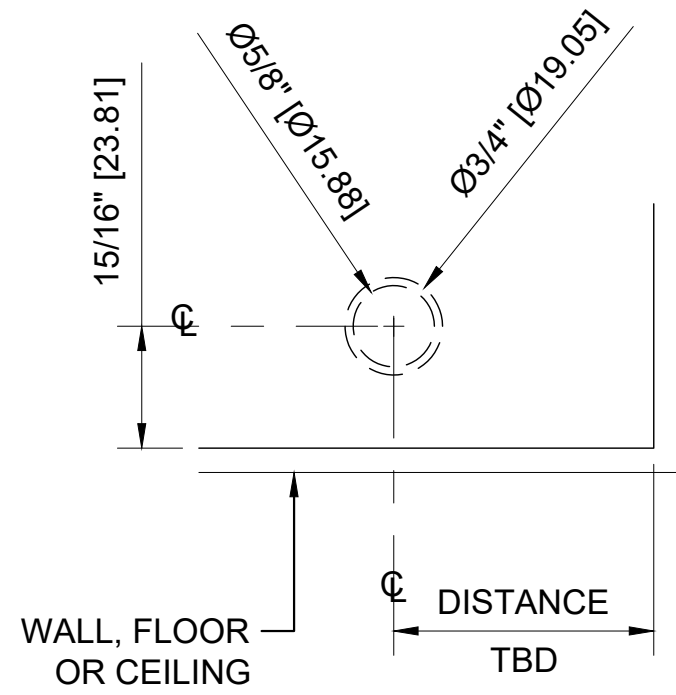
C.R. LAURENCE CO. ARCHITECTURAL PRODUCTS  
 2503 E. Vernon Avenue, Los Angeles, C.A. 90058-1897  
 PH (800)-421-6144 FX: 800-587-7501 www.crlaurence.com



USE OF GASKETS

FOR 3/8" (10mm) GLASS:

FOR 1/2" (12mm) GLASS:



WALL, FLOOR, OR CEILING MOUNT  
 5/8"(16mm) OR 3/4" (19mm) DIAMETER HOLE  
 5/32" (4mm) TO 3/16" (5mm) CLEARANCE  
 GLASS FABRICATION TEMPLATE

BGC037XX - CRL BEVELED STYLE HOLE IN GLASS FIXED PANEL SMALL LEG CLAMP

DATE: 10-28-2019

SCALE: 6"=1'-0"

DRAWN BY: VM

DESCRIPTION: CRL FIXED PANEL BEVELED CLAMP

CTS

BGC037 - SMALL LEG GLASS CLAMP

C.R. LAURENCE CO. ARCHITECTURAL PRODUCTS  
 2503 E. Vernon Avenue, Los Angeles, C.A 90058-1897  
 PH (800)-421-6144 FX: 800-587-7501 www.crlaurence.com

