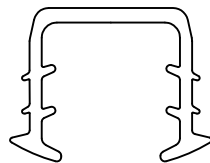
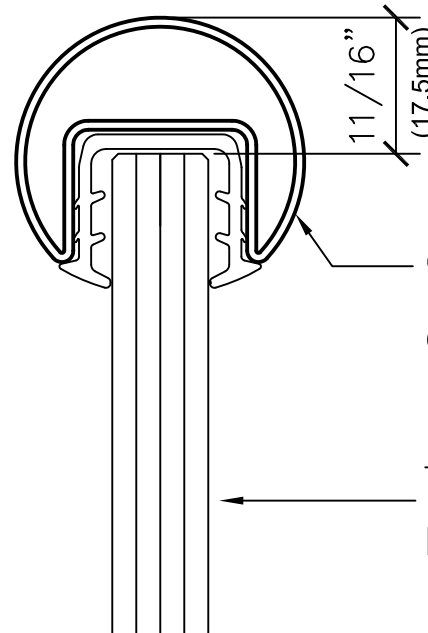


CRL Cat # GRRF15 Series Cap Rails
 Available in Brushed and Polished Stainless Finishes



CRL Cat # GRRF1515PV
 Protective Rubber Inserts



Glass Deduction

GRRF15 Series
 1-1/2" Dia Roll Formed
 Cap Rail

For Use With:

1/2" (12mm) 5/8" (15mm)
 Monolithic Tempered Glass
 and 9/16" (13.52mm)
 Laminated Tempered Glazing

