

PREMIUM ELECTRIC STRIKES

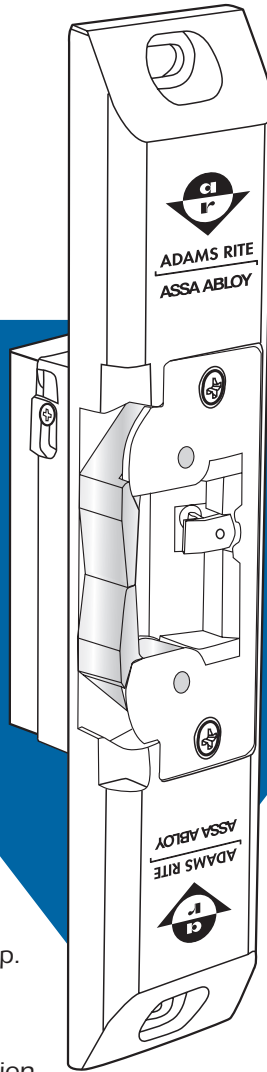


ES-5

VOLTAGE		
Field selectable to match power source of 12, 16, or 24 VAC/VDC.		
CURRENT DRAW/AMPS		
Volts	AC	DC
12	.163	.440
16	.228	.458*
24	.084	.230

*Requires 16 VDC adapter (P/N VA 7400-16VDC)

Opens electrically under 35lbs. of preload!



ULTRA LINE 74R1

ANSI/BHMA Type EO9321 (Grade 1)

LATCH TYPE	
Pullman Bolt Rim Panic Device by others with 3/4" Latch	
DOOR FRAME TYPE	
Hollow Metal	Narrowline Aluminum
	Wood



Intertek

Listed for Burglary Resistance (UL1034)

Case

Approx. 1" x 3-3/8" x 1-1/16" deep. Zinc-aluminum alloy.

Fail-Safe/Fail-Secure

Field selectable at time of installation.

Strike Opening

5/8" x 1-7/16" x 9/16" deep. Bolt retainer jaw is stainless steel. Strike accepts Pullman bolt of exit devices without deadlocking bolts.

Mounting Plate/Housing

Measures 1-3/4" x 9" x 11/16" deep. Made of zinc/aluminum alloy. Standard finish in Ritecoat epoxy to match Clear, Dark Bronze Anodized and Black Anodized finishes.

Function

A semi-mortised strike for rim exit devices having 3/4" Pullman type bolts without auxiliary bolts. Provides electrical remote control allowing door to open without actuation of the exit device.

This non-handed strike features an ultra-compact design and a stainless steel split-jaw with over 2400lbs. of holding force in fail-secure mode. The strike releases electrically with up to 35lbs. of door "preload" (pressure exerted on doors by air conditioning systems, warping or misaligned hardware which can disable common electric strikes). Single solenoid operates on 12, 16, or 24 volt AC/DC power. Strikes are equipped with a quick connect plug-in type connector.



260 Santa Fe Street
Pomona, California 91767
(800) 872-3267 Fax: (800) 232-7329
www.adamsrite.com

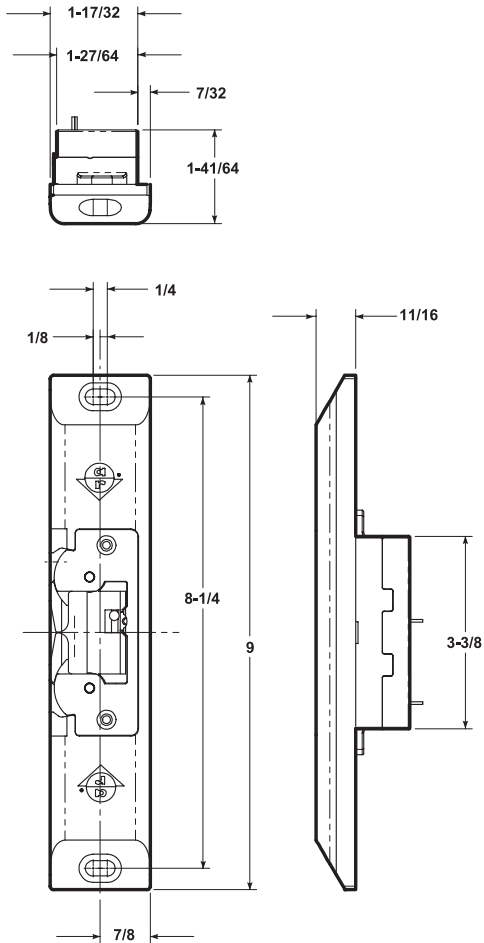


74R1 Electric Strikes

DIMENSIONS

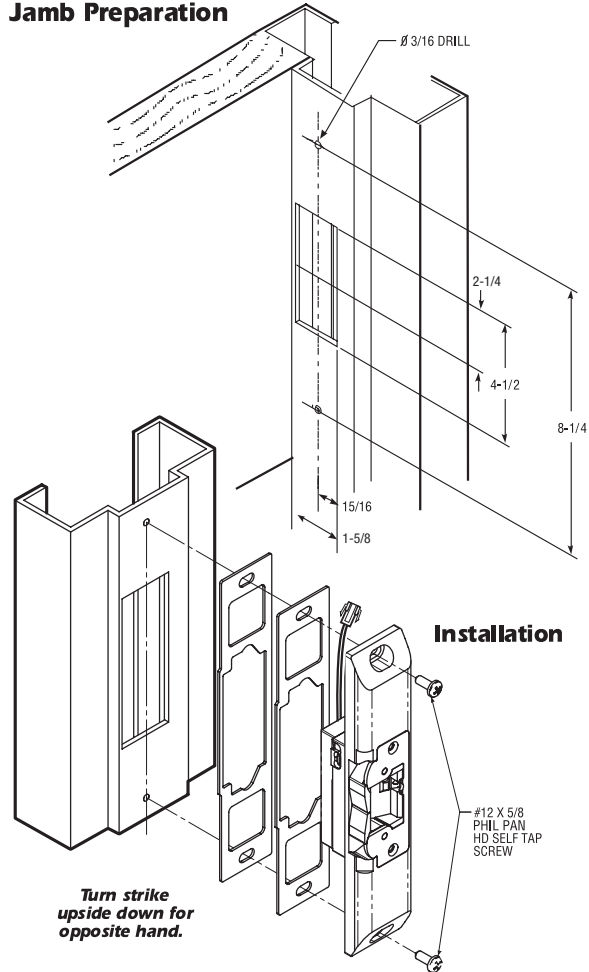
INCHES
MILLIMETERS

Nominal, subject to tolerance extremes.



INSTALLATION

Jamb Preparation



HOW TO ORDER

Specify quantity and the following information.
Order related hardware separately.

Fail-secure can be field converted to fail-safe or vice versa.

Specify Model

- None
M Monitored

74R1 **M** **130**

Finish

130 To match 628 Clear Anodized
121 To match 313 Dark Bronze Anodized
119 To match 335 Black Anodized

Individually boxed with mounting plate shims, mounting screws and installation instructions. Shipping weight approx. 2lbs.

OPTIONS

Monitoring - Two internally mounted switches (Form "C") to indicate when the latchbolt is engaged in the strike jaws and a locked/unlocked solenoid status. See page ES-7 for more details.

Power Sources - 4605/4606 Transformer, 4603 Rectifier, and PS-1 Power Supply. See page ES-7 for more details.

ELX-ElectroLynx™ Adapter - Connects Adams Rite electrified products to ElectroLynx system.

16 VDC Adapter - VA7400-16VDC required when using 16VDC power.