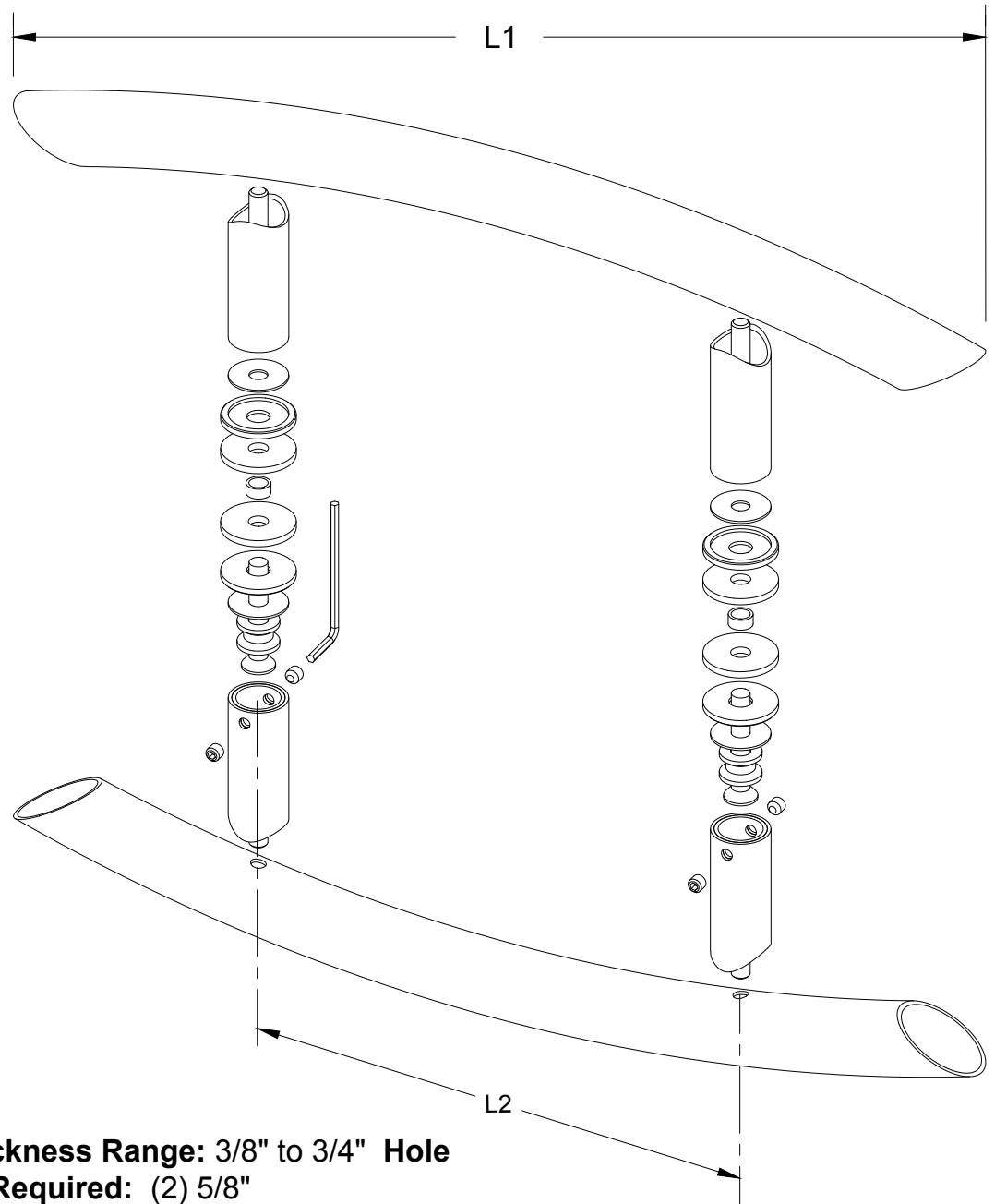
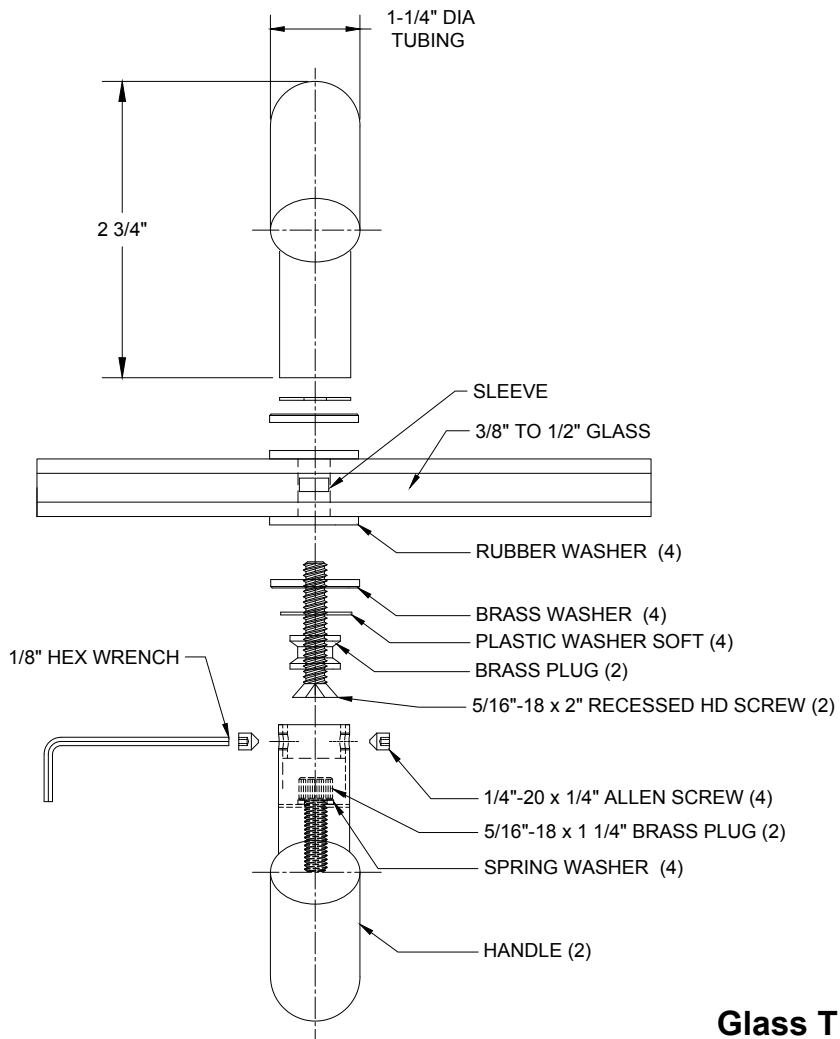


PART NUMBER	FINISH	L1	L2
CH12X12BS	BRUSHED STAINLESS	12"	6"
CH12X12PS	POLISHED STAINLESS	12"	6"
CH18X18BS	BRUSHED STAINLESS	18"	9"
CH18X18PS	POLISHED STAINLESS	18"	9"
CH24X24BS	BRUSHED STAINLESS	24"	12"
CH24X24PS	POLISHED STAINLESS	24"	12"



Glass Thickness Range: 3/8" to 3/4" Hole Diameter Required: (2) 5/8"



C.R. LAURENCE CO.
ARCHITECTURAL PRODUCTS
PH (800)-421-6144 FX: 800-587-7501
www.crlaurence.com

DESCRIPTION:

MOUNTED CRESCENT BACK TO BACK PULL HANDLE

PART #:	SEE CHART	DATE:	11/2/18
FILE NAME:	CH SERIES	SCALE:	NTS
DRAWN BY:	BRIAN R.		