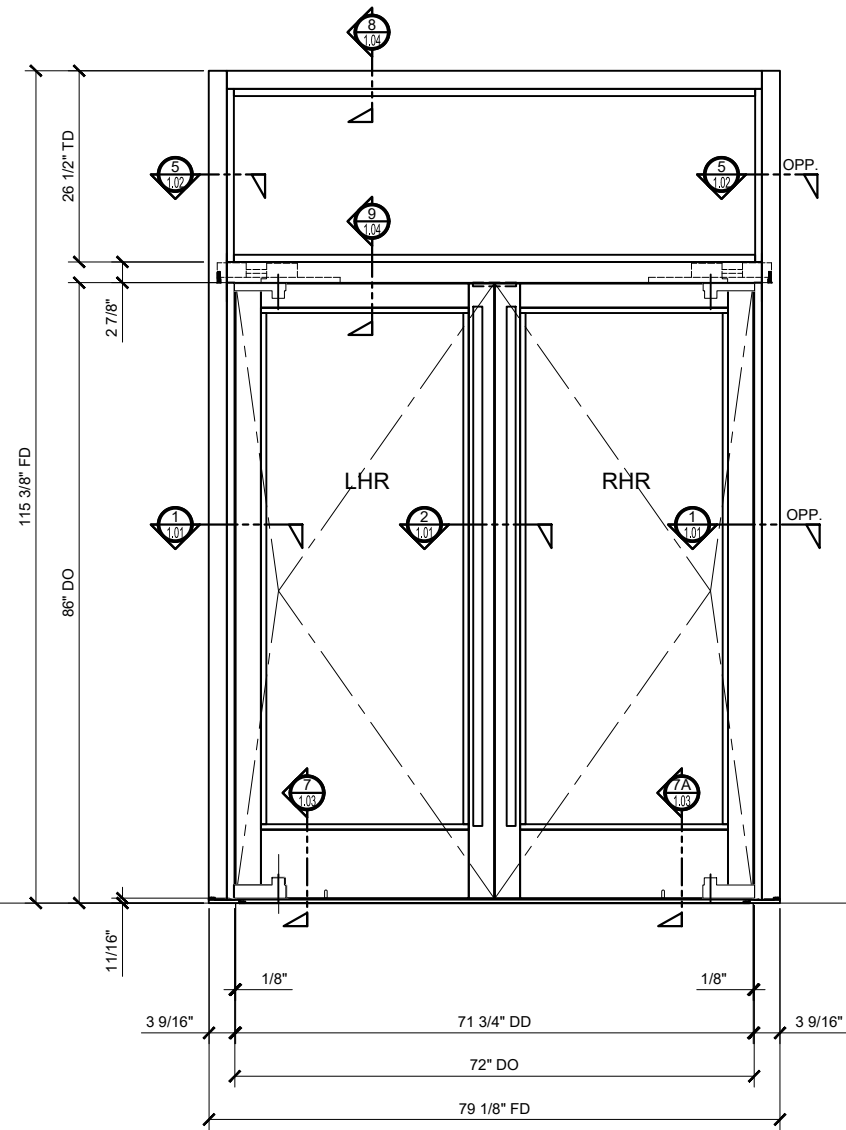
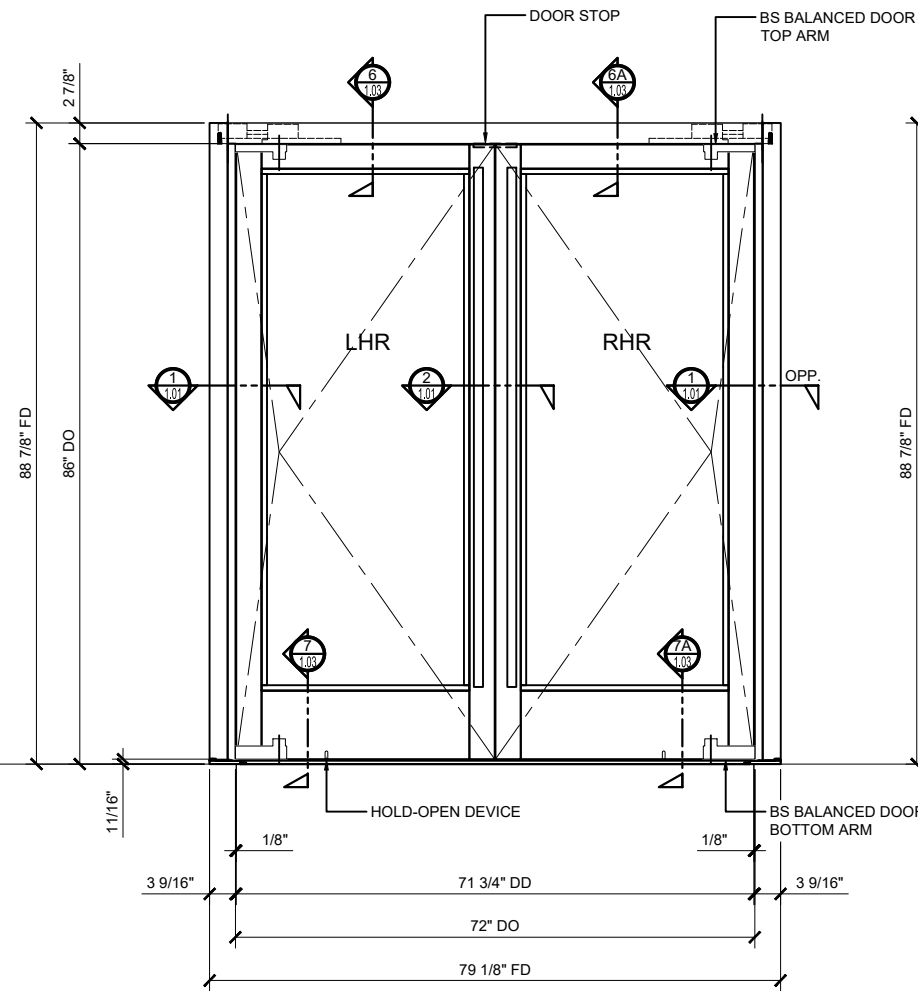


**CRL PREMIUM SERIES BALANCED DOOR
ALUMINUM RAIL & STILE WITH CONCEALED SHAFT**

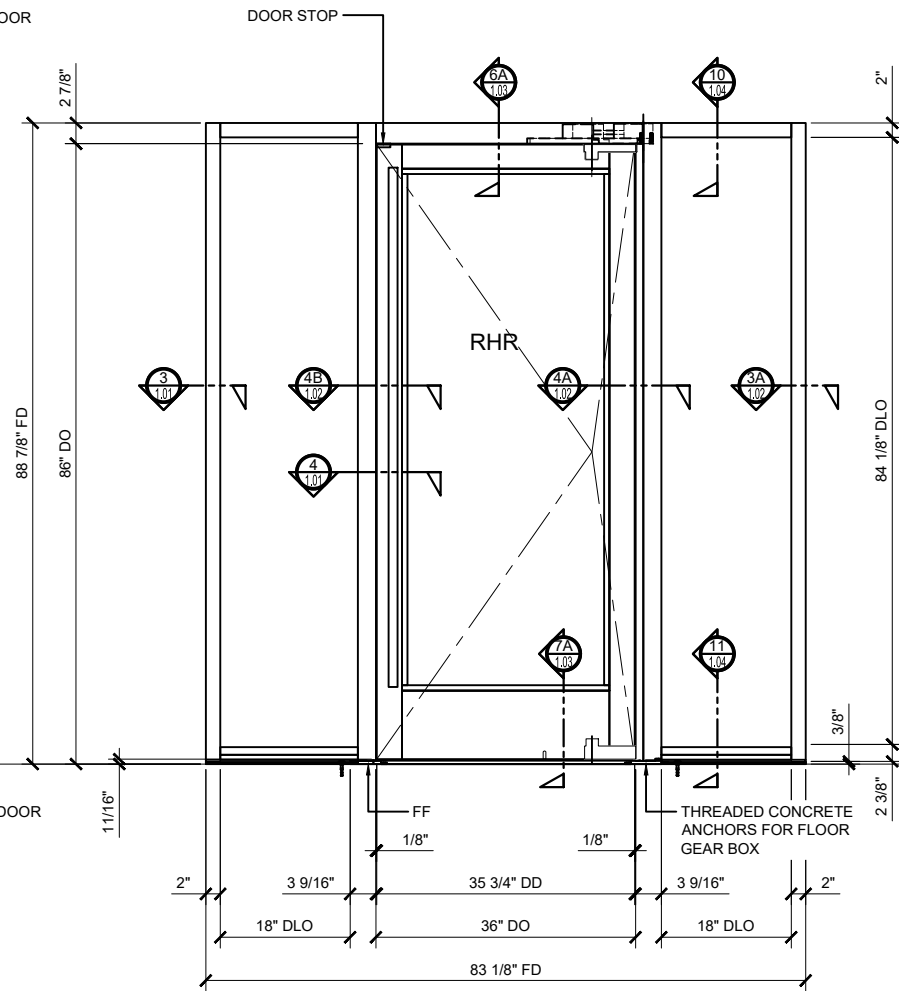
STRUCTURAL DISCLAIMER:
ALL CUSTOMERS WHO IN ANY WAY UTILIZE THIS PRODUCT ARE SOLELY RESPONSIBLE TO CONSULT A STRUCTURAL ENGINEER TO DETERMINE THE SUITABILITY OF THE PRODUCT FOR THE INTENDED USE AND SITE CONDITIONS. ALL INSTALLERS MUST BE QUALIFIED AND HAVE PROFESSIONAL KNOWLEDGE ABOUT COMPLIANCE WITH LOCAL, STATE AND FEDERAL REGULATIONS, SAFETY FACTORS, AND THE APPROPRIATE CHOICE OF FIXING MATERIAL AND PROCEDURES.



**CRL PREMIUM SERIES BALANCED DOOR
U.S. ALUMINUM RAIL & STILE WITH CONCEALED SHAFT
PAIR DOORS WITH TRANSOM ELEVATION**

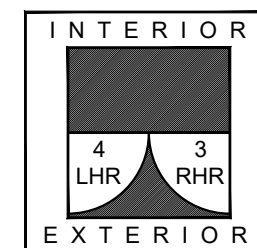


**CRL PREMIUM SERIES BALANCED DOOR
U.S. ALUMINUM RAIL & STILE WITH CONCEALED SHAFT
PAIR DOORS ELEVATION**



**CRL PREMIUM SERIES BALANCED DOOR
U.S. ALUMINUM RAIL & STILE WITH CONCEALED SHAFT
SINGLE DOOR WITH SIDELITE ELEVATION**

DOOR SWING CHART



STANDARD ABBREVIATIONS

- RO ROUGH OPENING
- FD FRAME DIMENSION
- DLO DAYLIGHT OPENING
- DO DOOR OPENING
- DD DOOR DIMENSION
- TD TRANSOM DIMENSION
- FF FLOOR FIDDING

Revisions By:

Description:

CRL PREMIUM SERIES
BALANCED DOOR
U.S. ALUMINUM RAIL & STILE

Drawn By: TGM
Date: 11/15/18
Scale: AS NOTED
File Name: PS BD - U.S. ALUM RAIL & STILE.dwg

Sheet

1

CRL

2603 E. Vermont Avenue, Los Angeles, CA 90058-1897
PH: (800)-421-6144 FAX: 800-567-7501 www.crlusa.com

Revisions By:

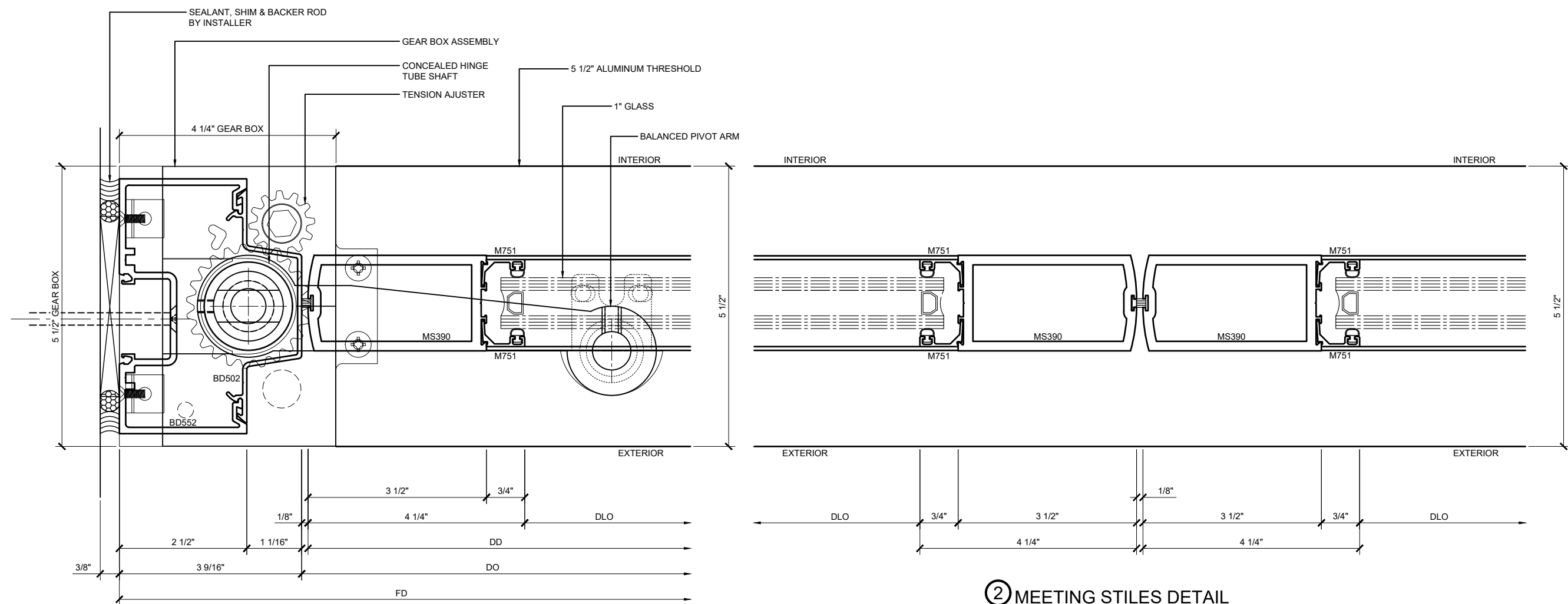
CRL

2603 E. Vermont Avenue, Los Angeles, CA 90058-1897
PH: (800)-421-6144 FAX: 800-567-7501 www.crlusa.com

Description:
CRL PREMIUM SERIES
BALANCED DOOR
U.S. ALUMINUM RAIL & STILE

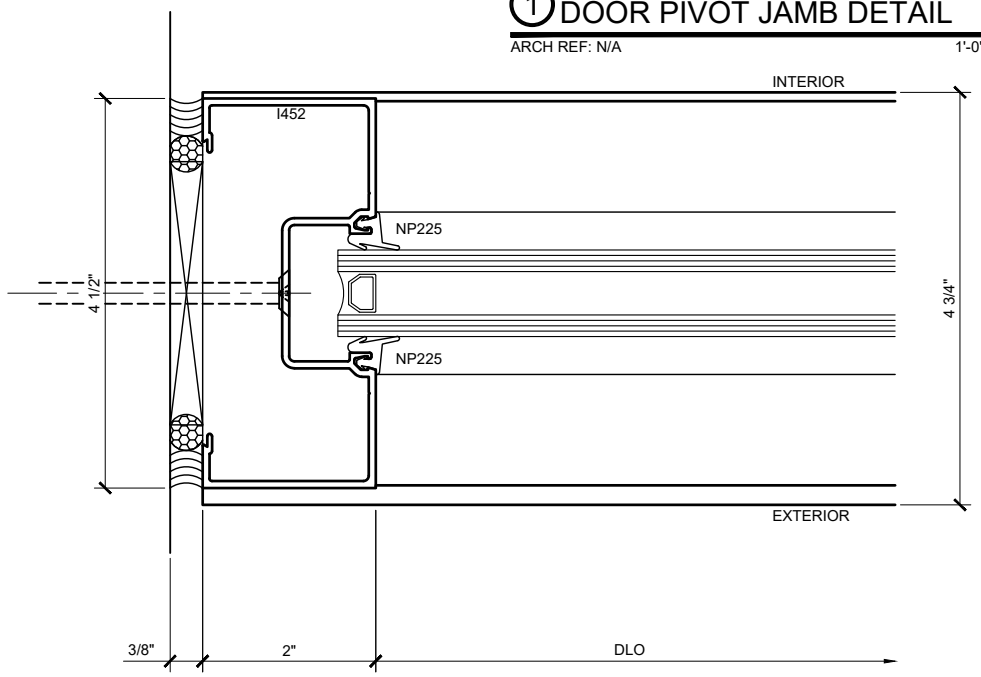
Drawn By: TGM
Date: 11/15/18
Scale: AS NOTED
File Name: PS BD - U.S. ALUM RAIL & STILE.dwg
Sheet

1.01



1 DOOR PIVOT JAMB DETAIL

ARCH REF: N/A 1'-0"=1'-0"

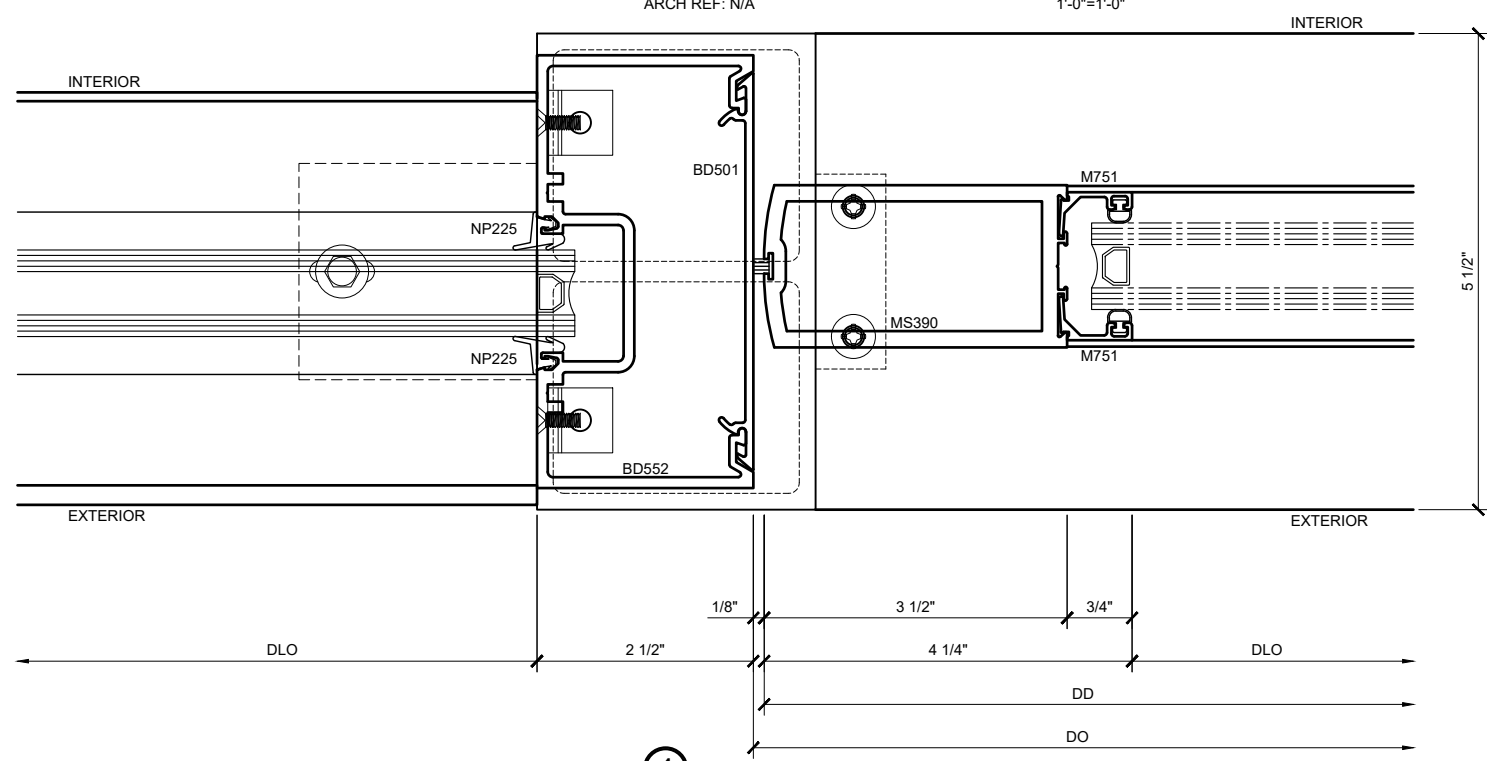


3 JAMB DETAIL AT SIDELITE

ARCH REF: N/A 1'-0"=1'-0"

2 MEETING STILES DETAIL

ARCH REF: N/A 1'-0"=1'-0"



4 DOOR STRIKE JAMB AT SIDELITE DETAIL

ARCH REF: N/A 1'-0"=1'-0"

PREMIUM SERIES ALUMINUM RAIL & STILE BALANCED DOORS DETAILS / 5" JAMB / CONCEALED SHAFT

Revisions By:

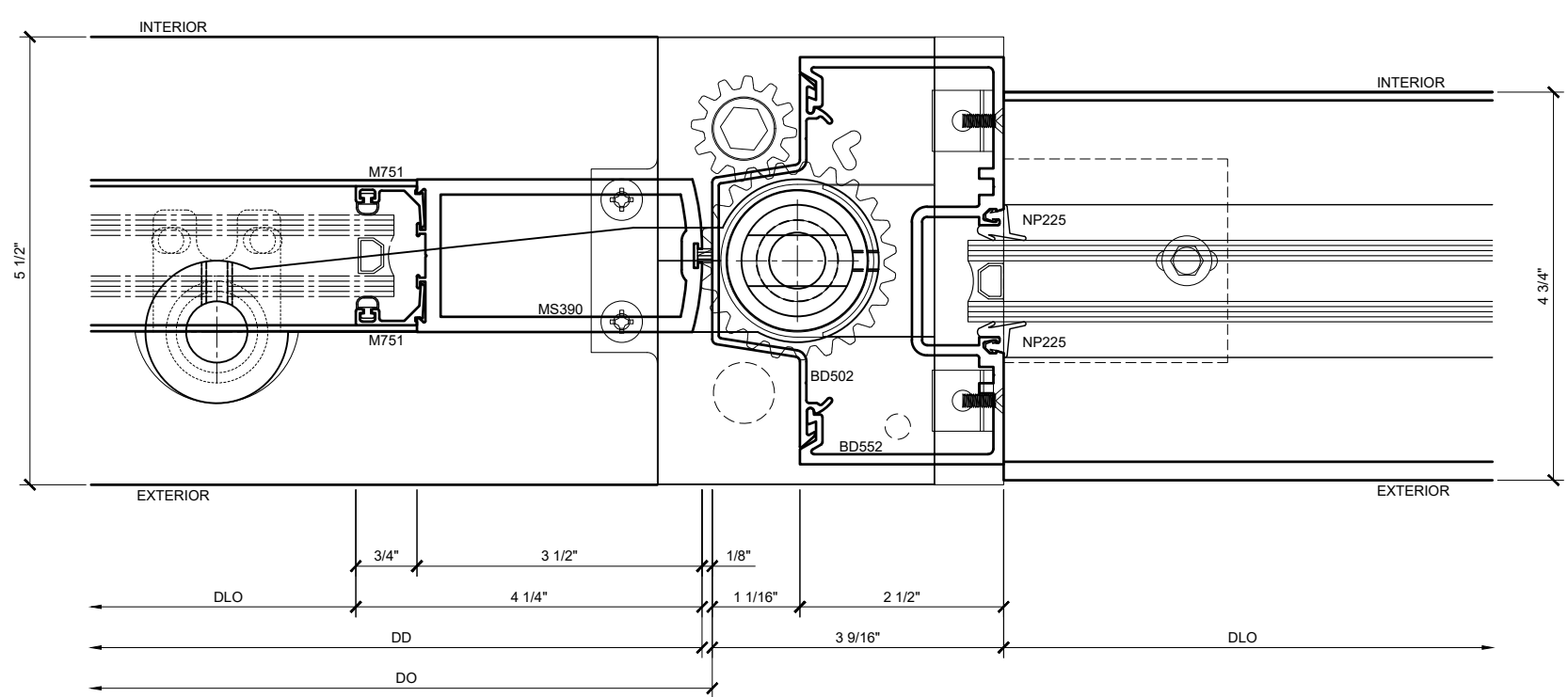
CRL

2603 E. Vermont Avenue, Los Angeles, CA 90058-1897
 PH (800)-421-6144 FAX (800)-567-7501 www.crlusa.com

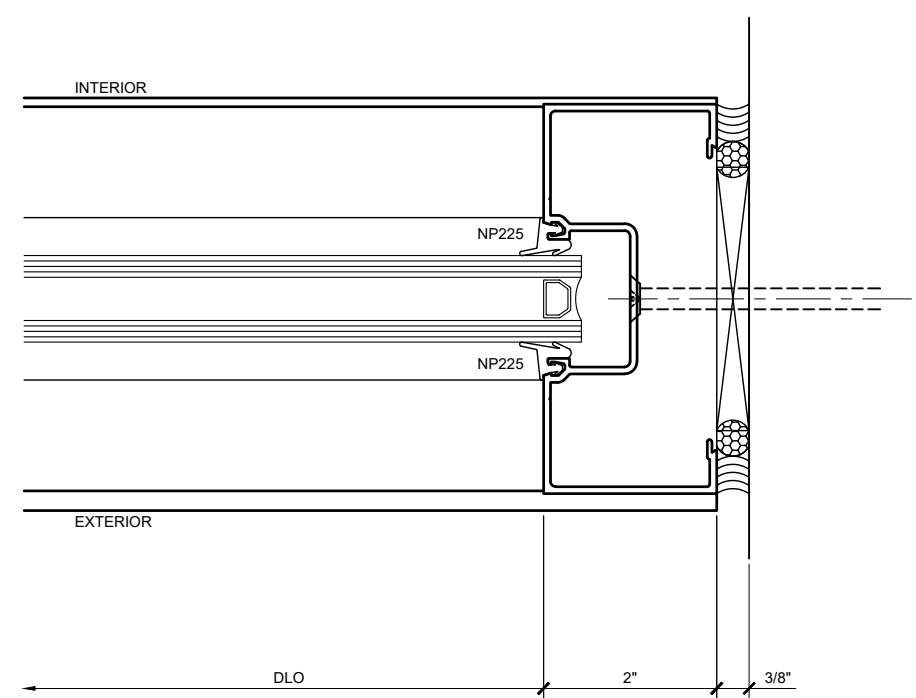
Description:
 CRL PREMIUM SERIES
 BALANCED DOOR
 U.S. ALUMINUM RAIL & STILE

Drawn By: TGM
 Date: 11/15/18
 Scale: AS NOTED
 File Name: PS BD - U.S. ALUM RAIL & STILE.dwg
 Sheet

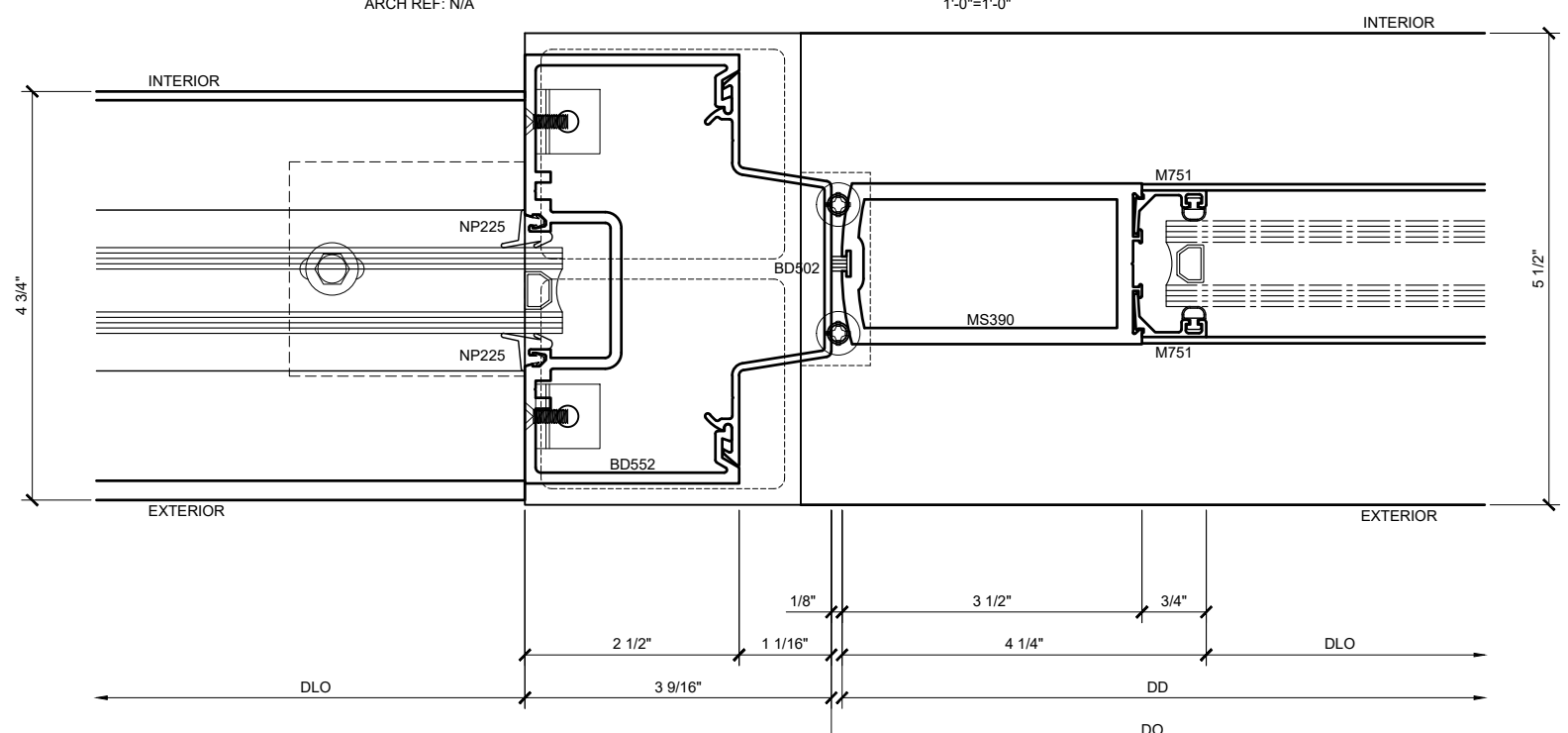
1.02



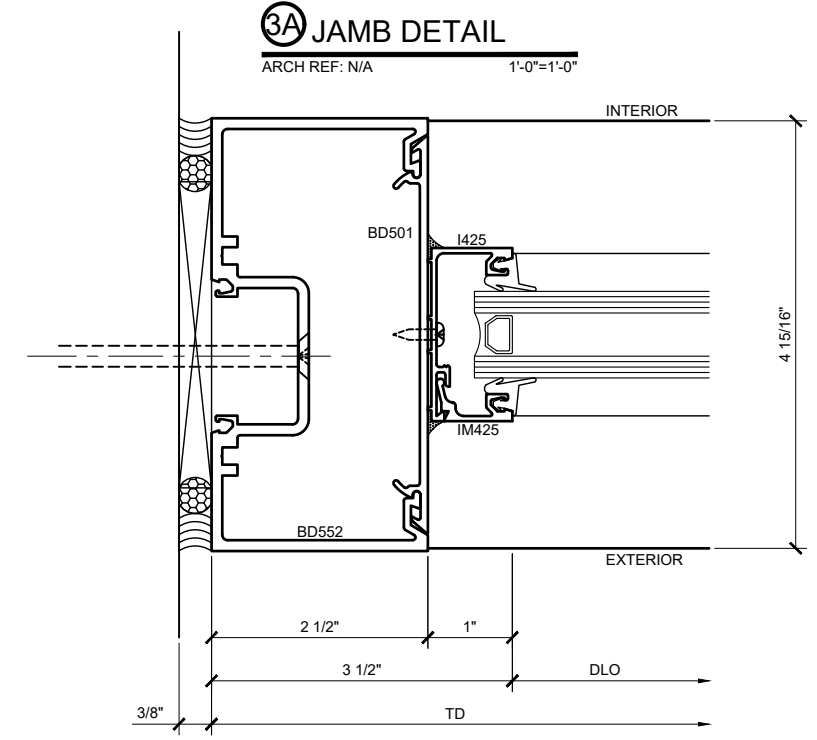
4A DOOR PIVOT JAMB SIDELITE DETAIL
 ARCH REF: N/A 1'-0"=1'-0"



3A JAMB DETAIL
 ARCH REF: N/A 1'-0"=1'-0"

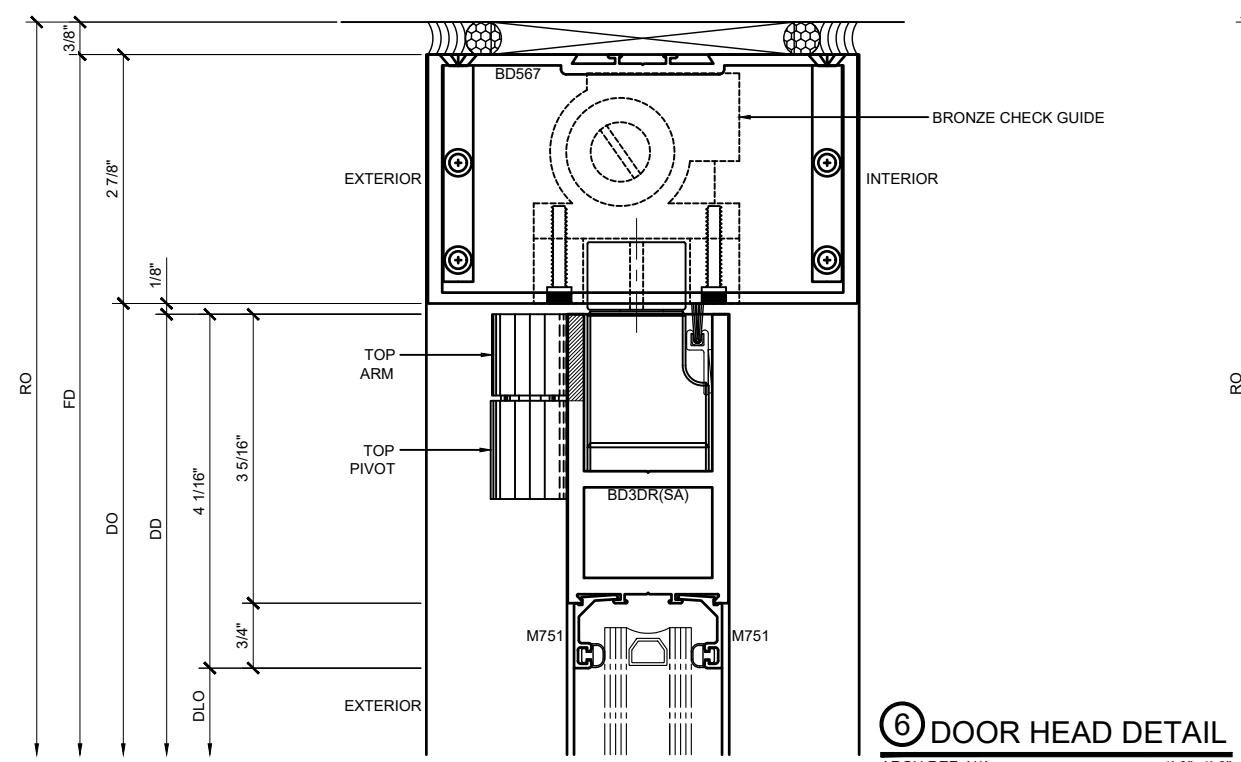


4B DOOR STRIKE JAMB AT SIDELITE DETAIL
 ARCH REF: N/A 1'-0"=1'-0"

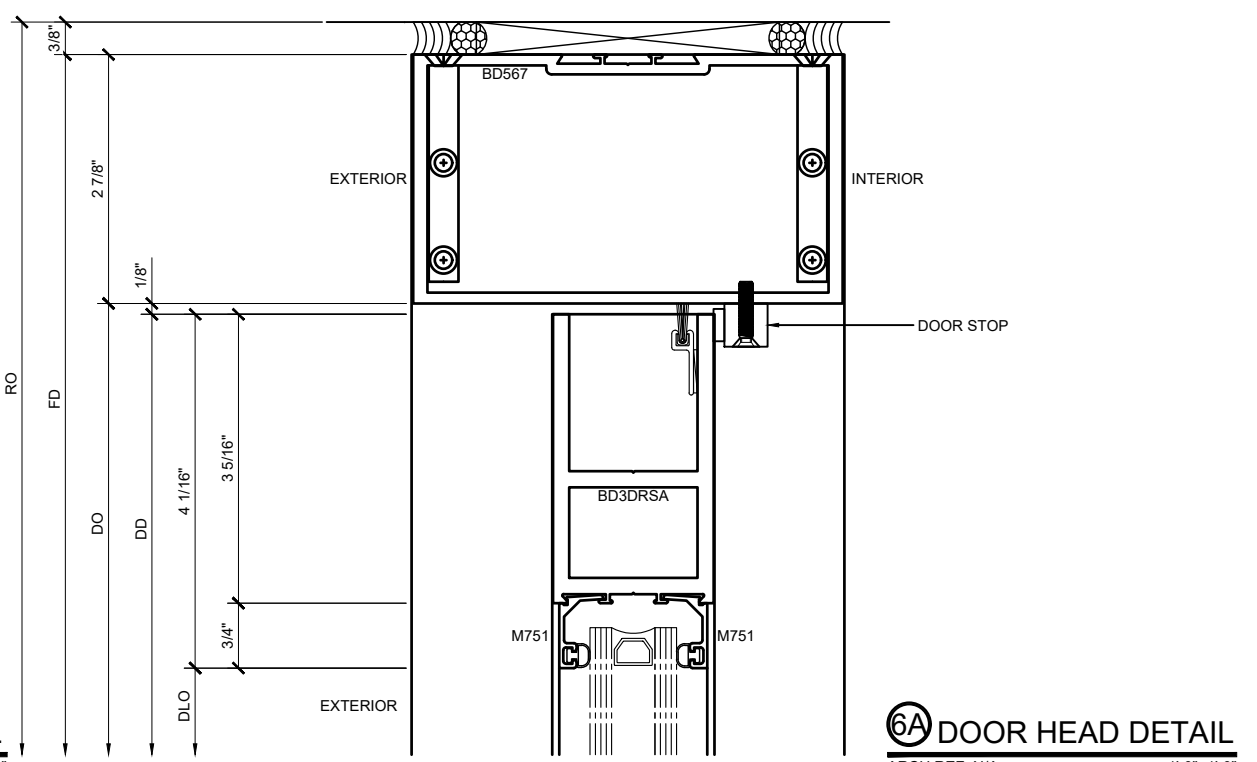


5 TRANSOM DETAIL
 ARCH REF: N/A 1'-0"=1'-0"

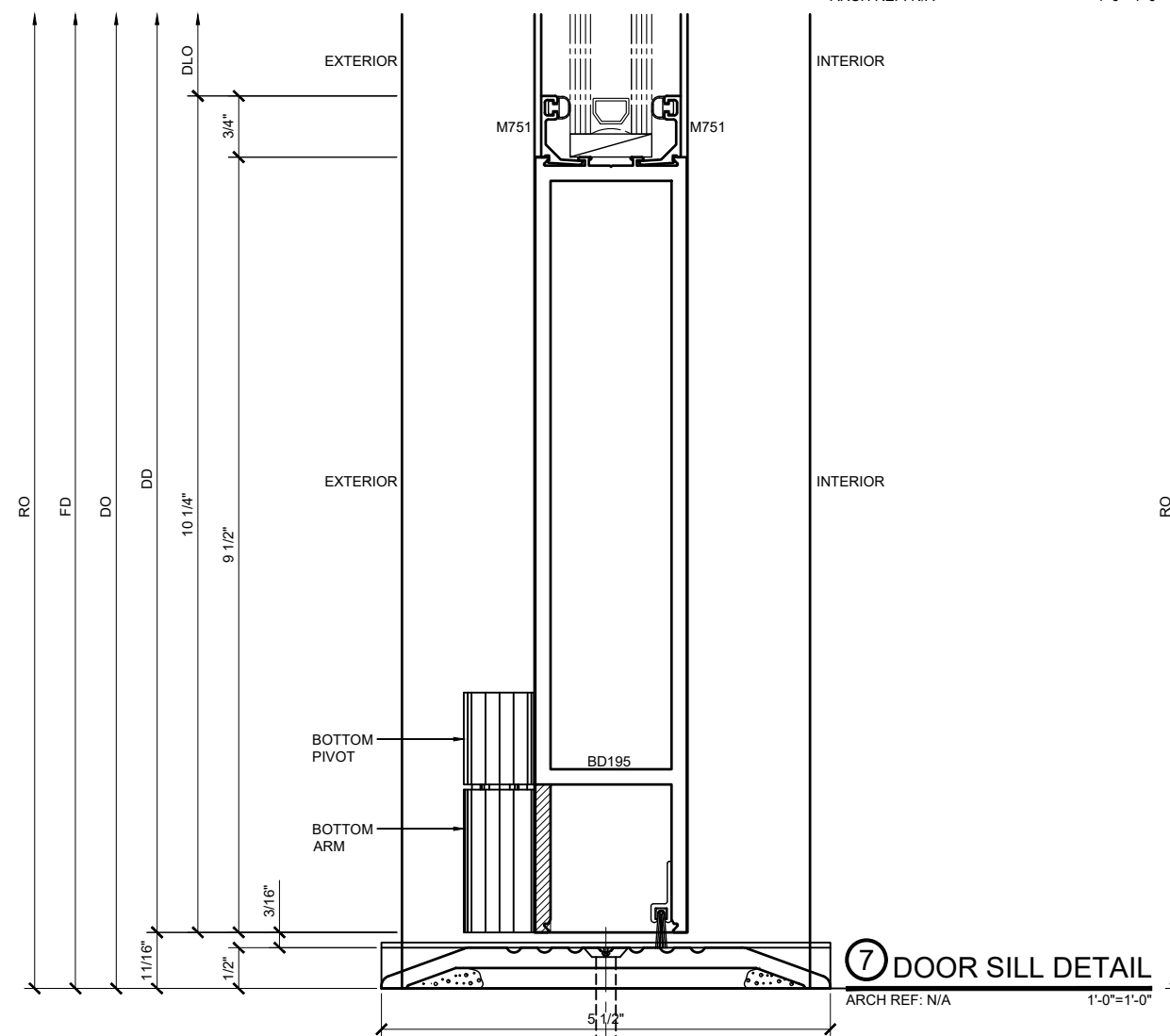
PREMIUM SERIES ALUMINUM RAIL & STILE BALANCED DOORS DETAILS / 5" JAMB / CONCEALED SHAFT



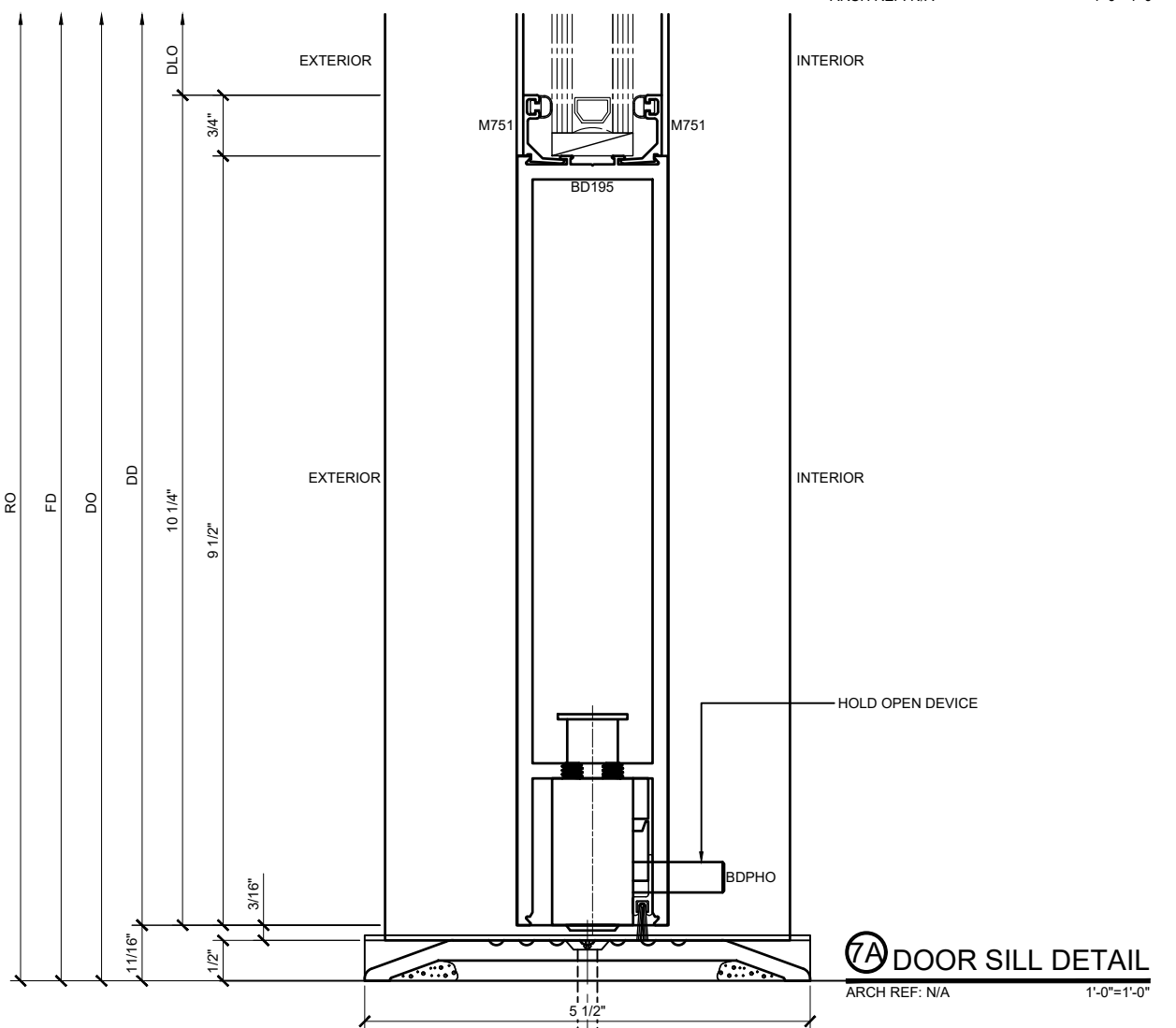
6 DOOR HEAD DETAIL
 ARCH REF: N/A 1'-0"=1'-0"



6A DOOR HEAD DETAIL
 ARCH REF: N/A 1'-0"=1'-0"



7 DOOR SILL DETAIL
 ARCH REF: N/A 1'-0"=1'-0"



7A DOOR SILL DETAIL
 ARCH REF: N/A 1'-0"=1'-0"

PREMIUM SERIES ALUMINUM RAIL & STILE BALANCED DOORS DETAILS / 5" JAMB / CONCEALED SHAFT

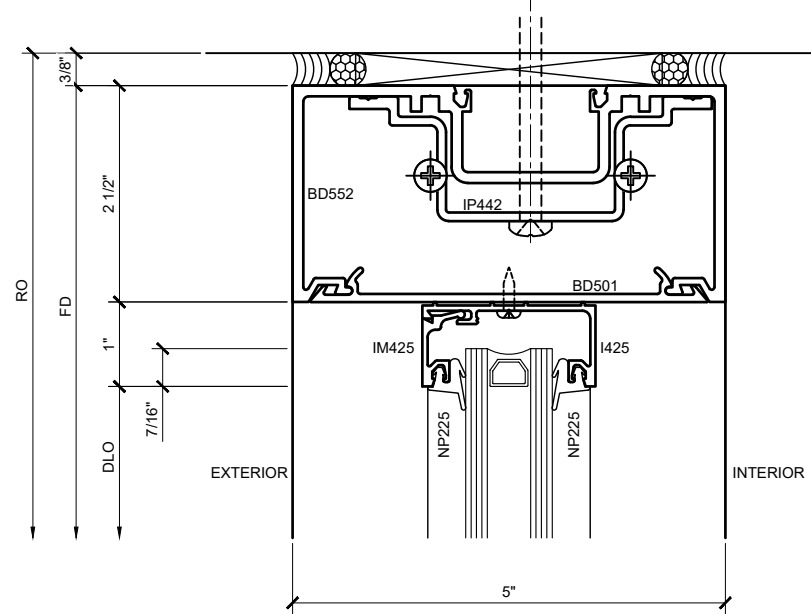
Revisions By:

CRL

2603 E. Vermont Avenue, Los Angeles, CA 90058-1897
 PH (800)-421-6144 FAX (800)-567-7501 www.crlusa.com

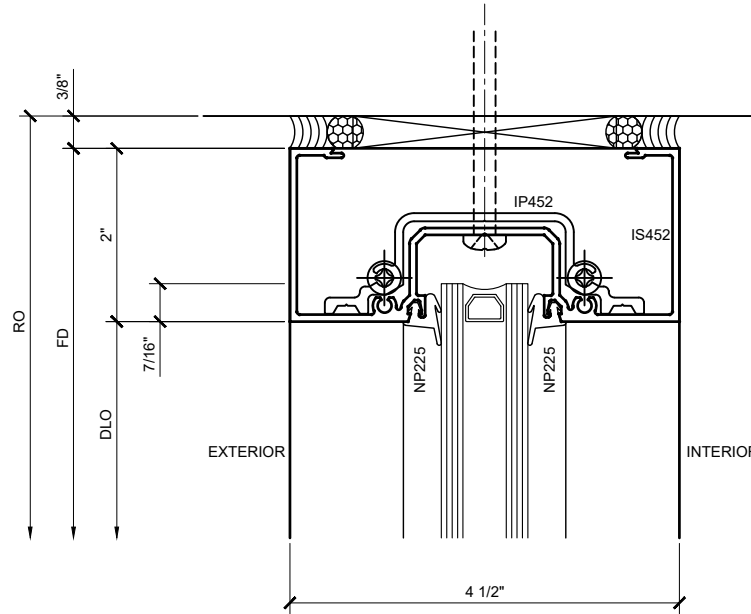
Description:
 CRL PREMIUM SERIES
 BALANCED DOOR
 U.S. ALUMINUM RAIL & STILE

Drawn By: TGM
 Date: 11/15/18
 Scale: AS NOTED
 File Name: PS BD - U.S. ALUM RAIL & STILE.dwg
 Sheet



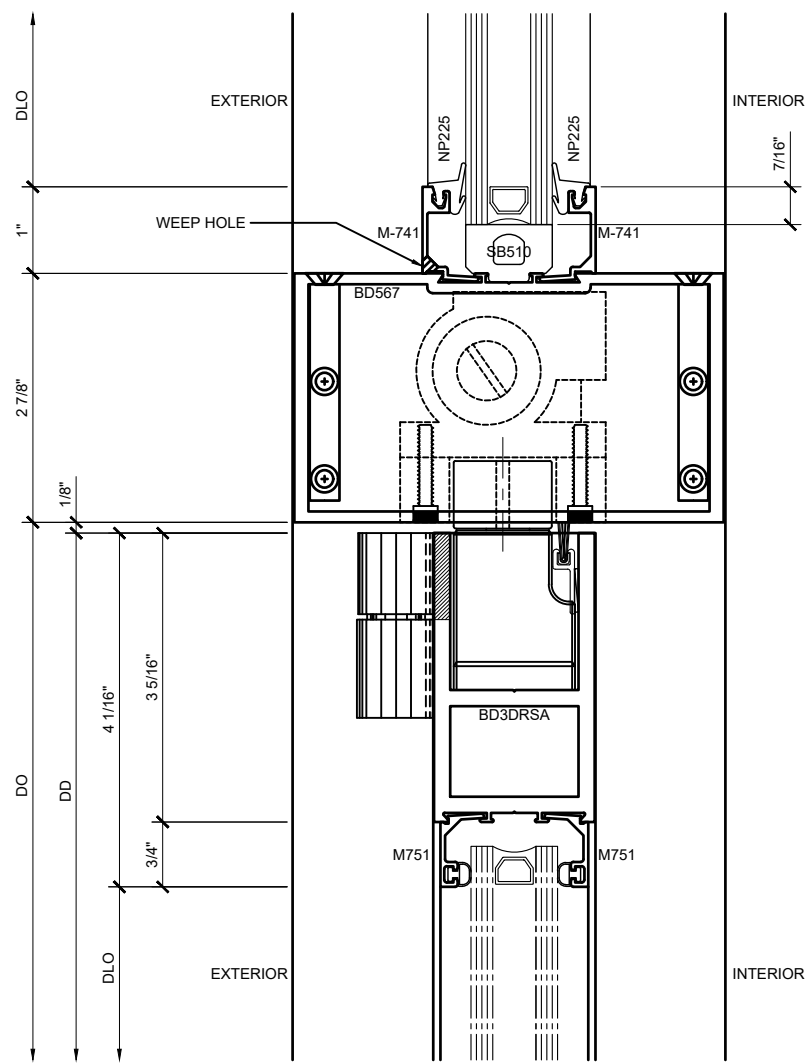
⑧ HEAD DETAIL

ARCH REF: N/A 1'-0"=1'-0"



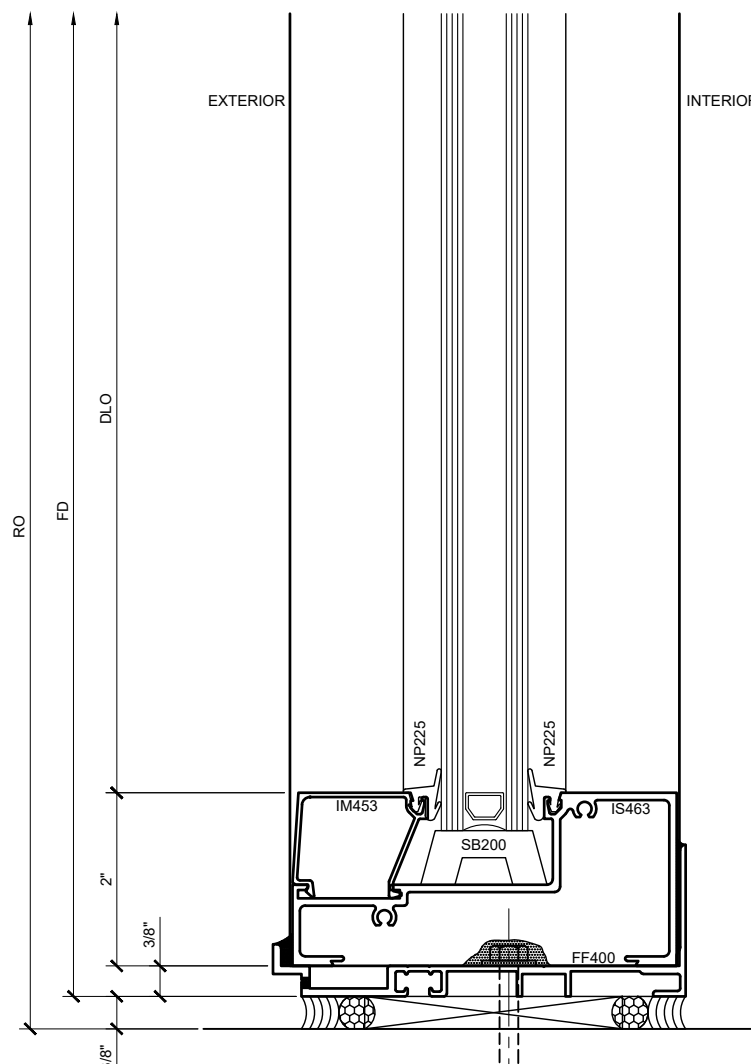
⑩ HEAD DETAIL

ARCH REF: N/A 1'-0"=1'-0"



⑨ DOOR HEAD DETAIL AT TRANSOM

ARCH REF: N/A 1'-0"=1'-0"



⑪ SILL DETAIL AT SIDELITE

ARCH REF: N/A 1'-0"=1'-0"

Revisions By:

CRL

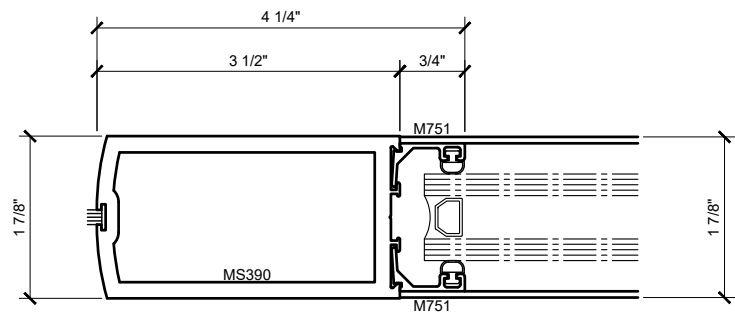
2603 E. Vermont Avenue, Los Angeles, CA 90058-1897
 PH (800)-421-6144 FAX (800)-567-7501 www.crlusa.com

Description:
 CRL PREMIUM SERIES
 BALANCED DOOR
 U.S. ALUMINUM RAIL & STILE

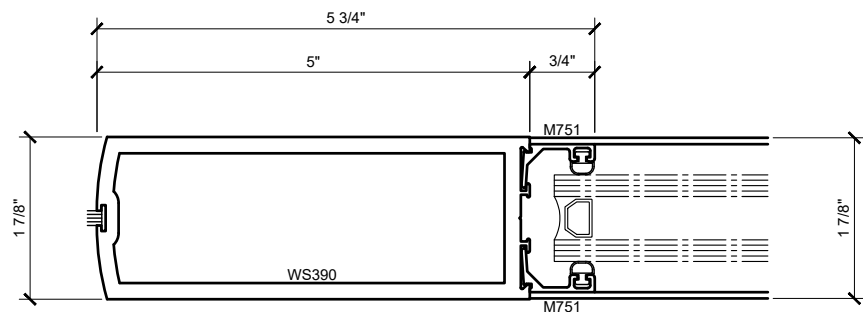
Drawn By: TGM
 Date: 11/15/18
 Scale: AS NOTED
 File Name: PS BD - U.S. ALUM RAIL & STILE.dwg

Sheet

1.04

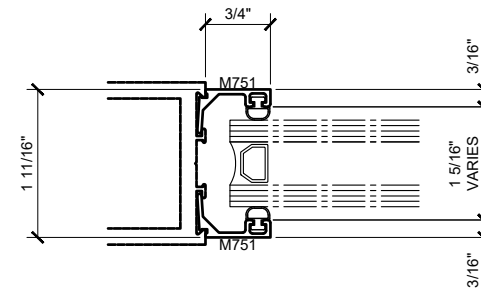


MEDIUM STILE

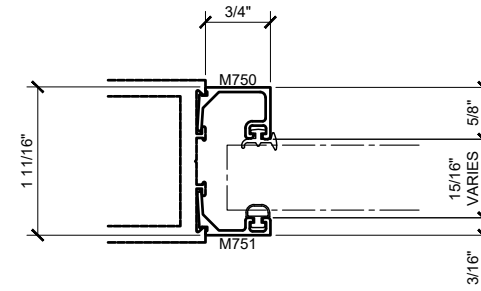


WIDE STILE

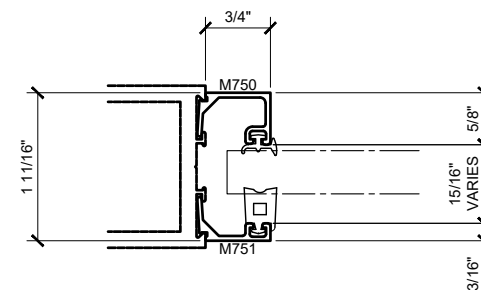
STANDARD STILES (SHOWN WITH GLASS STOPS FOR 1" GLASS)



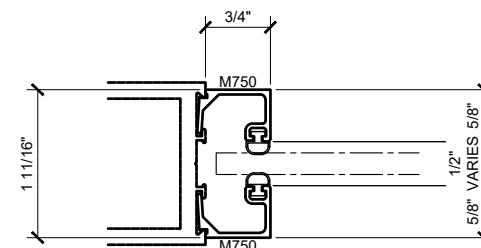
GLASS STOPS FOR 1" GLASS



GLASS STOPS FOR 3/4" GLASS



GLASS STOPS FOR 1/2" GLASS



GLASS STOPS FOR 1/4" GLASS

GLASS STOP OPTIONS

STANDARD STILES & GLASS STOP OPTIONS FOR 1", 3/4", 1/2", 1/4", THICK GLASS

Revisions By:

CRL

2603 E. Vermont Avenue, Los Angeles, CA 90058-1897
 PH (800)-421-6144 FAX 800-567-7501 www.crlusa.com

Description:

CRL PREMIUM SERIES
 BALANCED DOOR

U.S. ALUMINUM RAIL & STILE

Drawn By: TGM

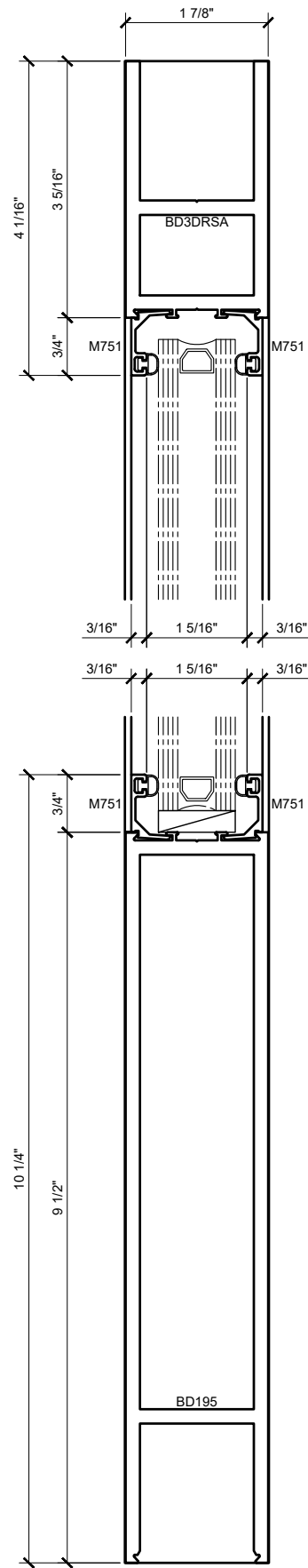
Date: 11/15/18

Scale: AS NOTED

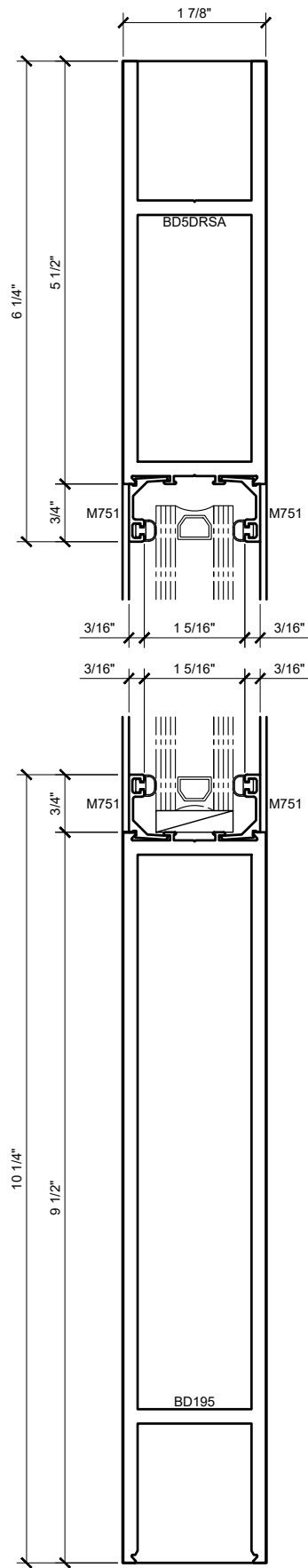
File Name: PS BD - U.S. ALUM RAIL & STILE.dwg

Sheet

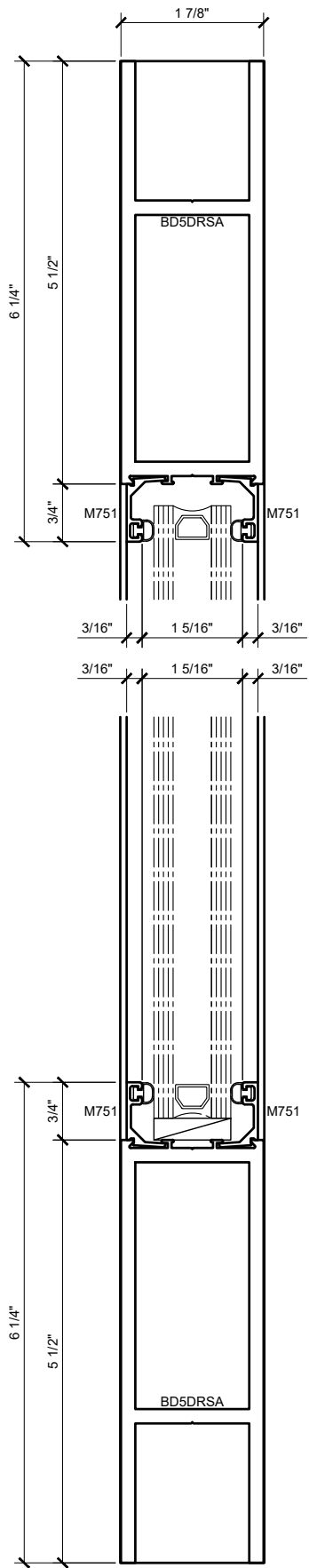
1.05



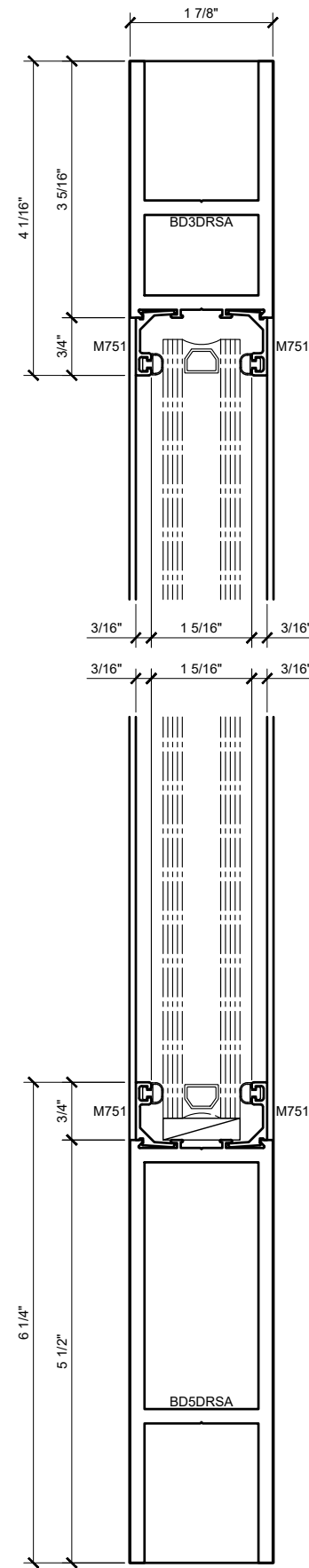
OPTION 1



OPTION 2



OPTION 3



OPTION 4

STANDARD RAILS (SHOWN WITH GLASS STOPS FOR 1" THICK GLASS)

Revisions By:

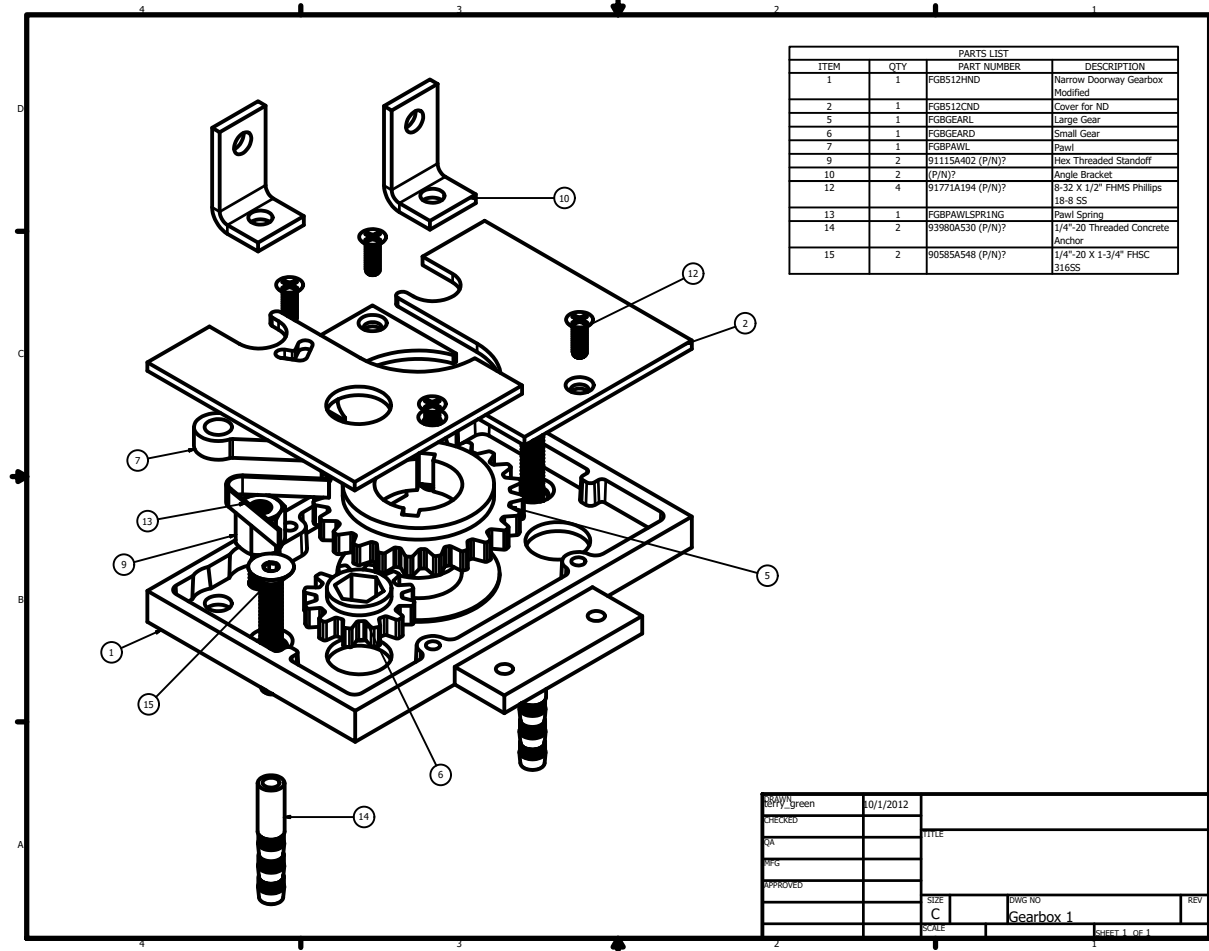
CRL

2603 E. Vermont Avenue, Los Angeles, CA 90058-1897
 PH (800) 421-6144 FAX 800-587-7501 www.crlusa.com

Description:
 CRL PREMIUM SERIES
 BALANCED DOOR
 U.S. ALUMINUM RAIL & STILE

Drawn By: TGM
 Date: 11/15/18
 Scale: AS NOTED
 File Name: PS BD - U.S. ALUM RAIL & STILE.dwg
 Sheet

1.06



PARTS LIST			
ITEM	QTY	PART NUMBER	DESCRIPTION
1	1	FGB512HND	Narrow Doorway Gearbox Modified
2	1	FGB512CND	Cover for ND
5	1	FGBGEARL	Large Gear
6	1	FGBGEARD	Small Gear
7	1	FGBPAWL	Pawl
9	2	91115A402 (P/N)?	Hex Threaded Standoff
10	2	(P/N)?	Angle Bracket
12	4	91771A194 (P/N)?	8-32 X 1/2" FHMS Phillips 18-8 SS
13	1	FGBPAWLSRING	Pawl Spring
14	2	93980A530 (P/N)?	1/4"-20 Threaded Concrete Anchor
15	2	90585A548 (P/N)?	1/4"-20 X 1-3/4" FHSC 316SS

DESIGNED	green	10/1/2012		
CHECKED				
DATE			TITLE	
BY				
APPROVED				
			SIZE	DWG NO
			C	Gearbox 1
			SCALE	SHEET 1 OF 1

Revisions By:



2603 E. Vernon Avenue, Los Angeles, CA 90058-1897
 PH (800)-421-6144 FAX (800)-567-7501 www.crlusa.com

Description:
 CRL PREMIUM SERIES
 BALANCED DOOR
 U.S. ALUMINUM RAIL & STILE

Drawn By: TGM
 Date: 11/15/18
 Scale: AS NOTED
 File Name: PS BD - U.S. ALUM RAIL & STILE.dwg

Sheet
 2.01