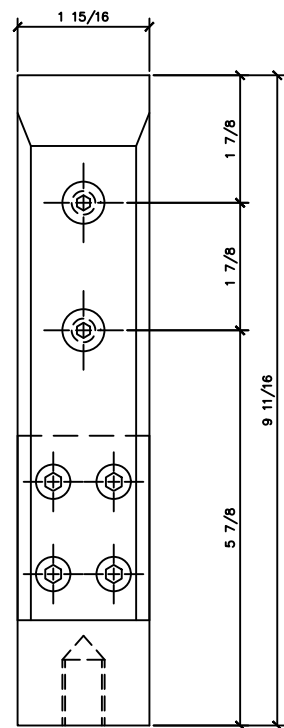
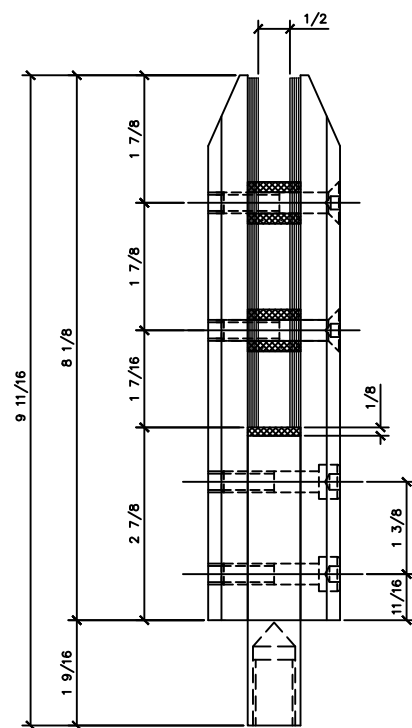


CRL THREE- PIECE CORE MOUNT FRAMELESS WINDSCREEN CLAMP
 Typical Fabrication Guidelines for CRL's AFWC3 Framless Glass
 Core Mount Brackets

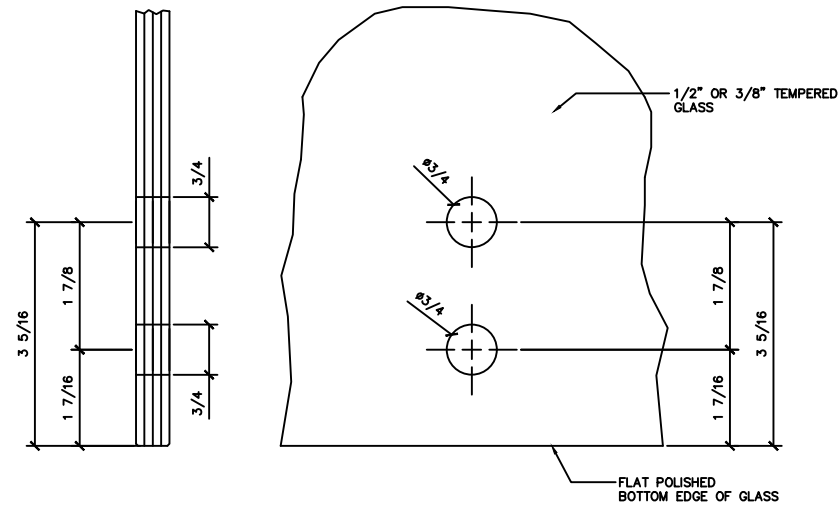
AFWC3



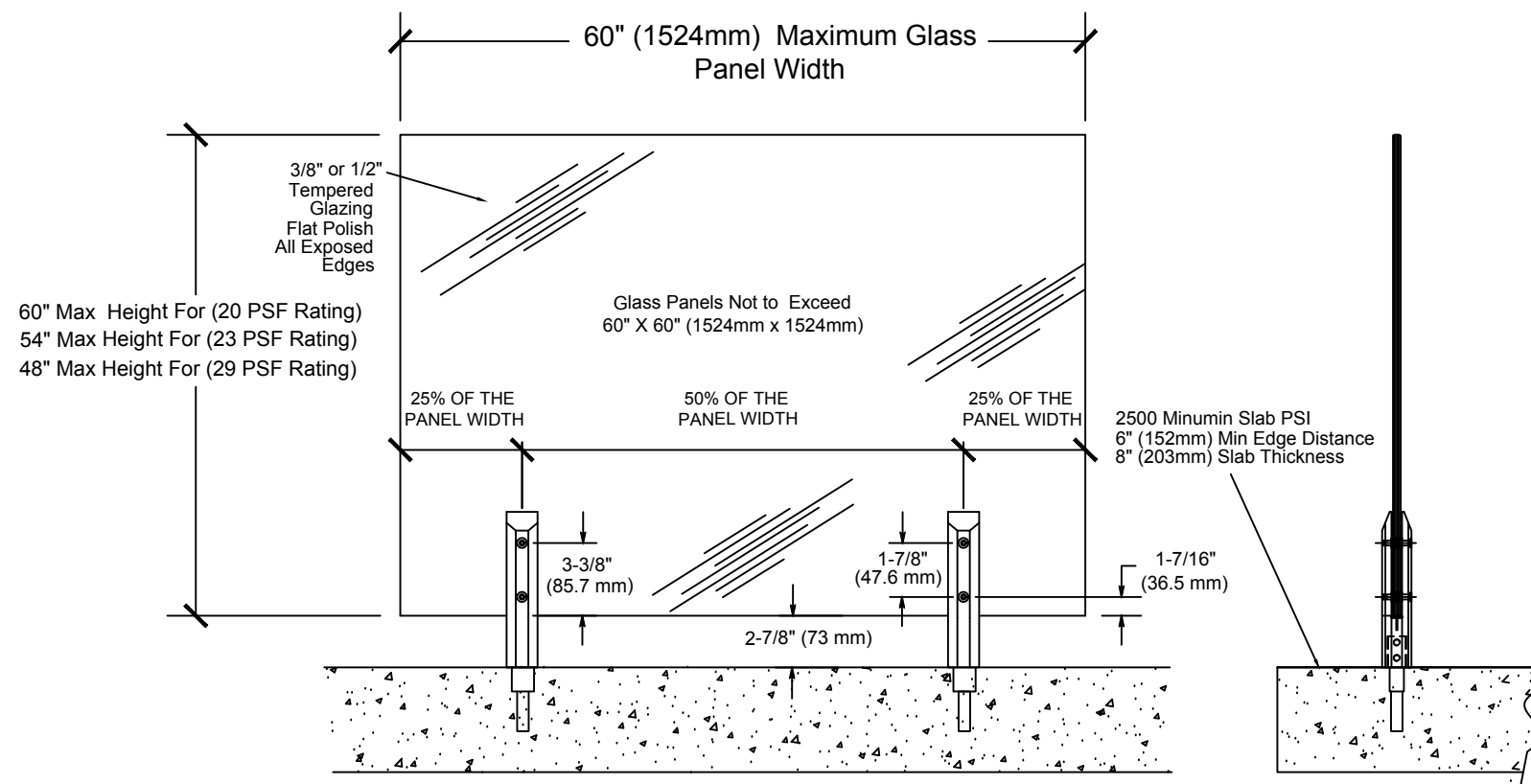
FRONT VIEW



SIDE VIEW



GLASS FABRICATION REQUIREMENTS



AFWC3 TOP MOUNT FABRICATION GUIDELINES

REVISIONS

10-31-06



CRL
 C.R. LAURENCE CO.
 ARCHITECTURAL PRODUCTS

2503 E. Vernon Avenue, Los Angeles, CA 90058
 Phone: 800-421-6144 Fax: 800-262-3299
 www.crlaurence.com

CRL FRAMELESS
 WINDSCREEN CLAMPS

Job Name:

DATE: 05-09-07

DRAWN BY: CH

CHECKED BY: ---

SCALE: AS SHOWN

JOB #: -----

SHT 1 OF 1