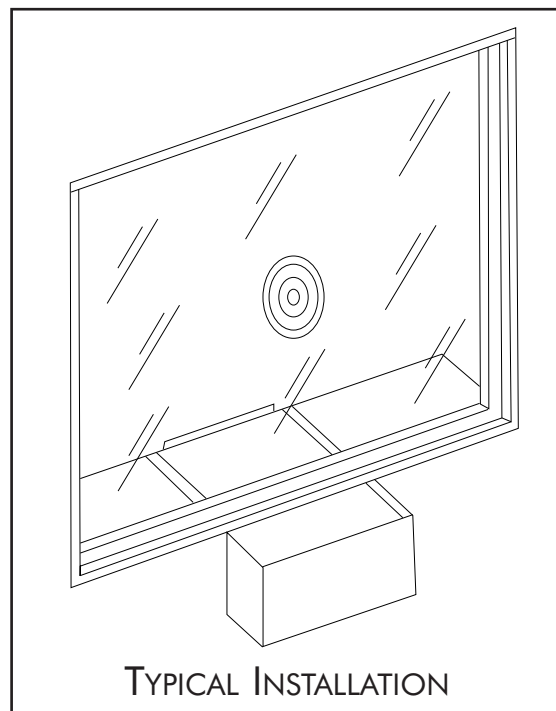
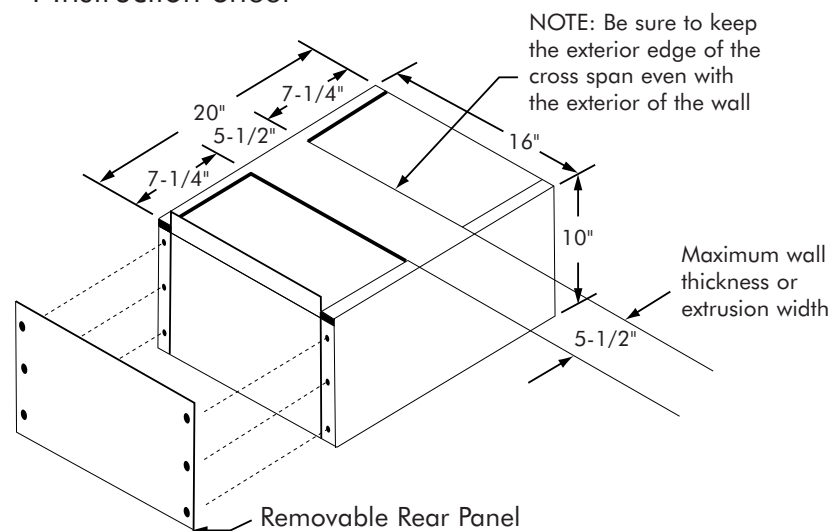


C.R. LAURENCE Installation Instructions

CAT. No. ST1620 SLIDING DEAL TRAY & PASS-THRU DRAWER

CONTENTS:

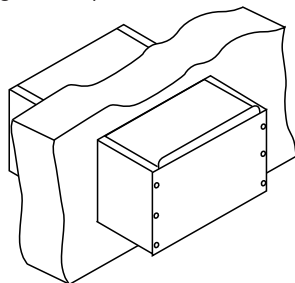
- 1 Assembled Sliding Deal Tray & Pass-Thru Drawer
- 1 Instruction Sheet



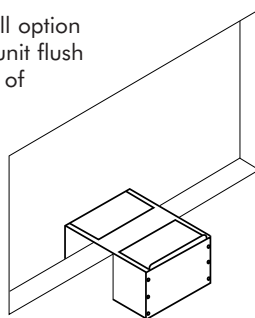
6 TYPICAL INSTALLATION OPTIONS

(Viewed from clerk side. See following pages for detailed installation instructions)

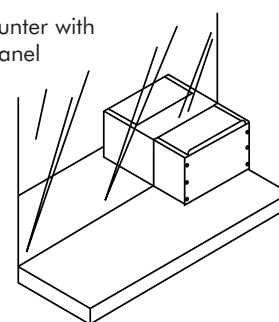
Through wall option



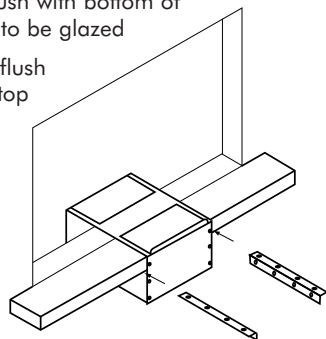
Through wall option with top of unit flush with top of opening to be glazed



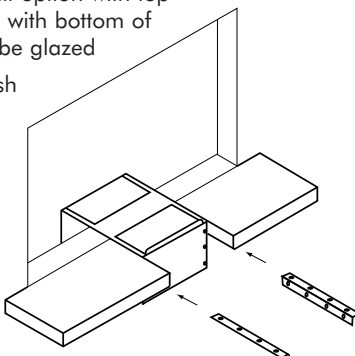
Top of counter with glazing panel notched



Through wall option with top of unit flush with bottom of opening to be glazed



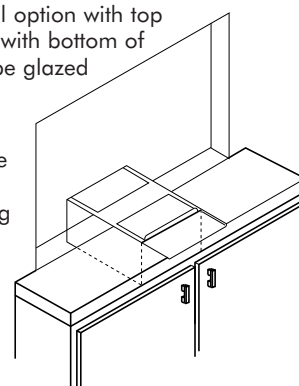
Through wall option with top of unit flush with bottom of opening to be glazed



Counter flush with the top and rear of unit

Through wall option with top of unit flush with bottom of opening to be glazed

Cabinet or counter top flush with the top of unit but extending behind unit



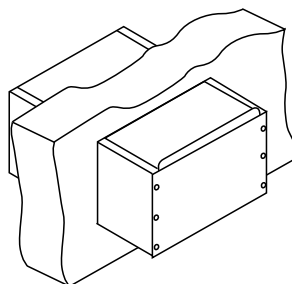
C.R. LAURENCE

Installation Instructions

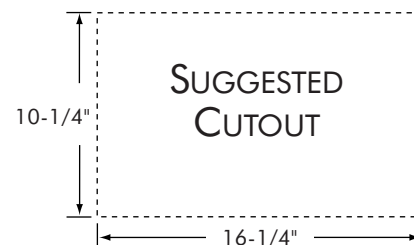
CAT. No. ST1620 SLIDING DEAL TRAY & PASS-THRU DRAWER

THROUGH WALL INSTALLATION:

1. Cut out the wall using the measurements shown to the right. (maximum wall thickness 5-1/2")
2. Remove the rear panel and insert the unit into the opening.
3. Be sure the exterior side of the top stainless steel cross span is even with the exterior surface of the wall.
4. Drill holes through sides and bottom of the unit's interior, then secure with fasteners into the wall.
5. Replace rear panel.
6. Apply sealant to the gap between the wall and the unit on both interior and exterior sides to complete the installation.

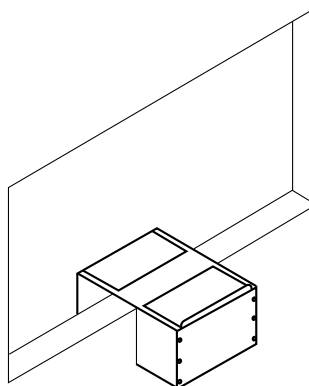


Through wall option

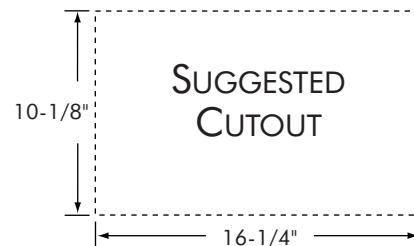


THROUGH WALL IN THE BOTTOM OF A GLAZED OPENING INSTALLATION:

1. Cut out the wall at the bottom of the window opening using the measurements shown to the right.
2. Remove the rear panel and insert the unit into the opening.
3. Be sure the exterior side of the top stainless steel cross span is even with the exterior surface of the wall. This is the most common placement of the unit, however because the cross span does not have a wall above it moving the unit in or out is permissible. As long as the extrusion that frames the glazing panel fits over the cross span (maximum 5-1/2").
4. Drill holes through sides and bottom of the unit's interior, then secure with fasteners into the wall.
5. Replace rear panel.
6. Apply sealant to the gap between the wall and the unit on both interior and exterior sides to complete the installation.



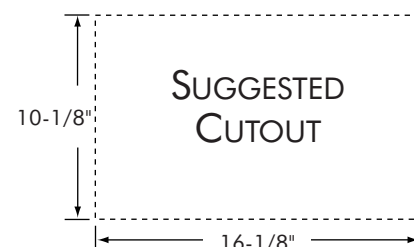
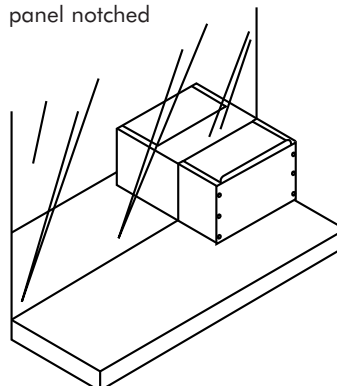
Through wall option with top of unit flush with bottom of opening to be glazed



ON TOP OF COUNTER INSTALLATION:

1. Put unit on the counter and slide next to the jamb of the window opening. The unit may be moved forward or backwards as long as the glazing panel and framing extrusion (maximum 5-1/2") center over the top stainless steel cross span.
2. Remove the rear panel and drill holes through the bottom and jamb side of the unit's interior, then secure with fasteners into the counter and jamb.
3. Replace rear panel.
4. For cutout in glazing panel use measurements shown to the right which will give you a clearance of 1/8" on the side and the top. If you are using channels or extrusion around the unit be sure to add to the cutout size to allow for the thickness of the bottom of the channels or extrusion.
5. Install glazing panel.
6. Apply sealant to the gaps between the glass or metal on both interior and exterior sides to complete the installation.

Top of counter with glazing panel notched

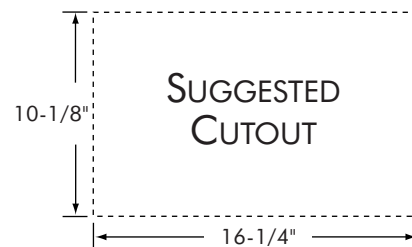
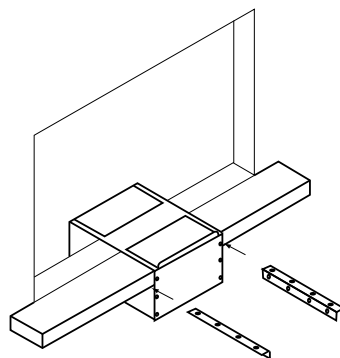


C.R. LAURENCE Installation Instructions

CAT. No. ST1620 SLIDING DEAL TRAY & PASS-THRU DRAWER

COUNTER EVEN WITH THE BACK OF THE UNIT INSTALLATION:

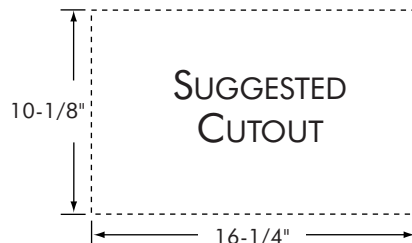
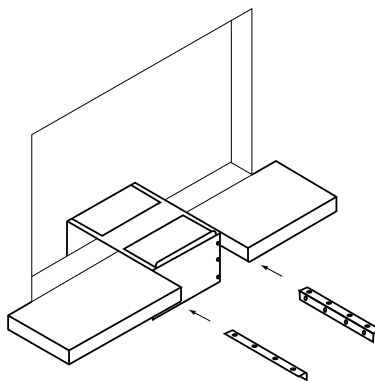
1. Cut out the wall at the bottom of the window opening using the measurements shown to the right.
2. Remove the rear panel and insert the unit into the opening.
3. Be sure the exterior side of the top stainless steel cross span is even with the exterior surface of the wall. This is the most common placement of the unit, however because the cross span does not have a wall above it moving the unit in or out is permissible. If the extrusion that frames the glazing panel fits over the cross span (maximum 5-1/2") shelf depth will be determined by the placement of the unit, and the distance from the interior side of the wall to the back of the unit.
4. Drill holes through sides and bottom of the unit's interior. Then secure with fasteners into the wall.
5. Replace rear panel.
6. Apply sealant to the gap between the wall and the unit on both interior and exterior sides to complete the installation.
7. Angles (not provided) may be attached to the sides of unit to mount counter top.



- Through wall option with top of unit flush with bottom of opening to be glazed
- Counter flush with the top and rear of unit

COUNTER EXTENDING BEYOND THE BACK OF THE UNIT INSTALLATION:

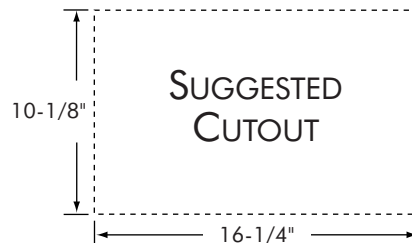
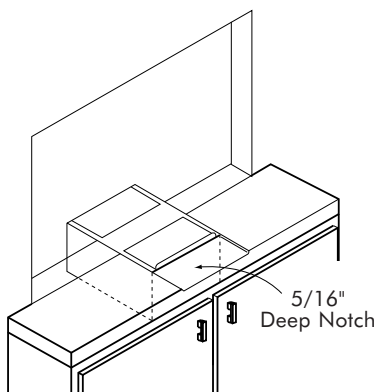
1. Same as unit above with the exception that the shelf depth can be any size since it doesn't have to be even with the back of the unit.



- Through wall option with top of unit flush with bottom of opening to be glazed
- Counter flush with the top of unit but extending behind unit

COUNTER WITH NOTCH IN IT BEHIND THE UNIT INSTALLATION:

1. Same as unit on the top of the page with the exception that the area behind the unit will require a 5/16" deep notch to accommodate the tray when the clerk slides it to the rear.



- Through wall option with top of unit flush with bottom of opening to be glazed
- Cabinet or counter flush with the top of unit