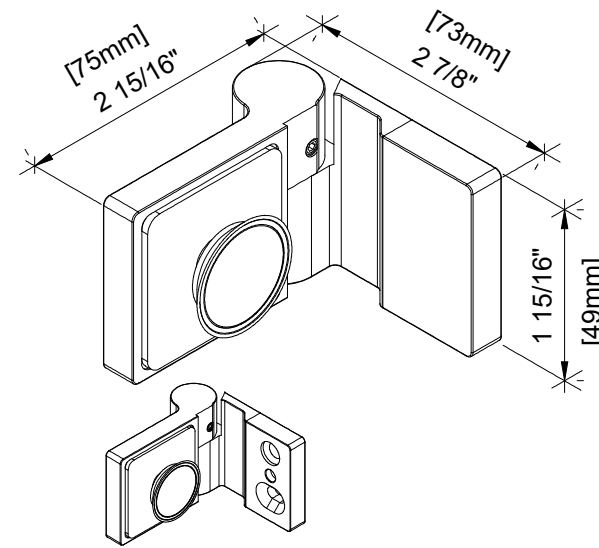
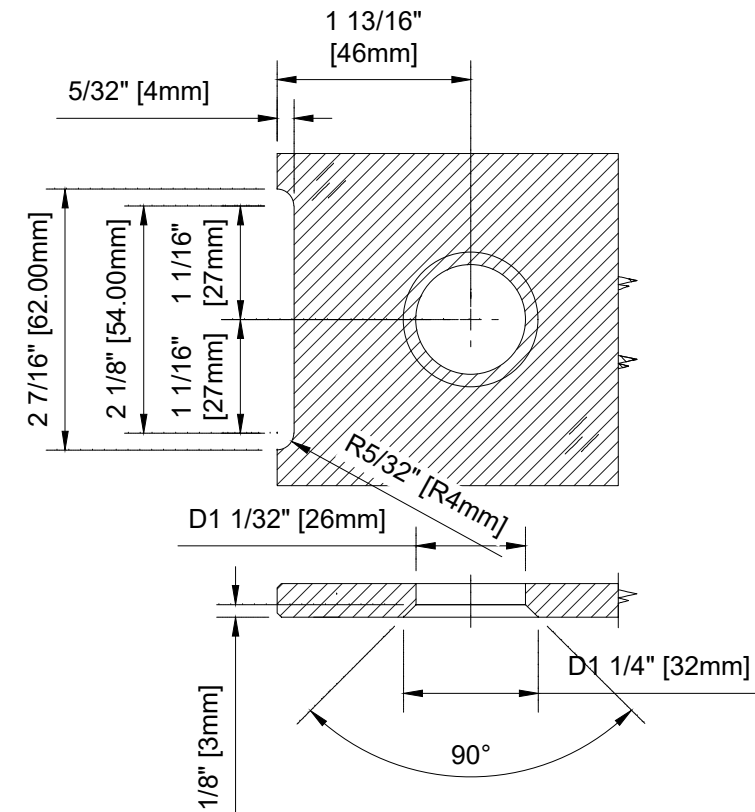
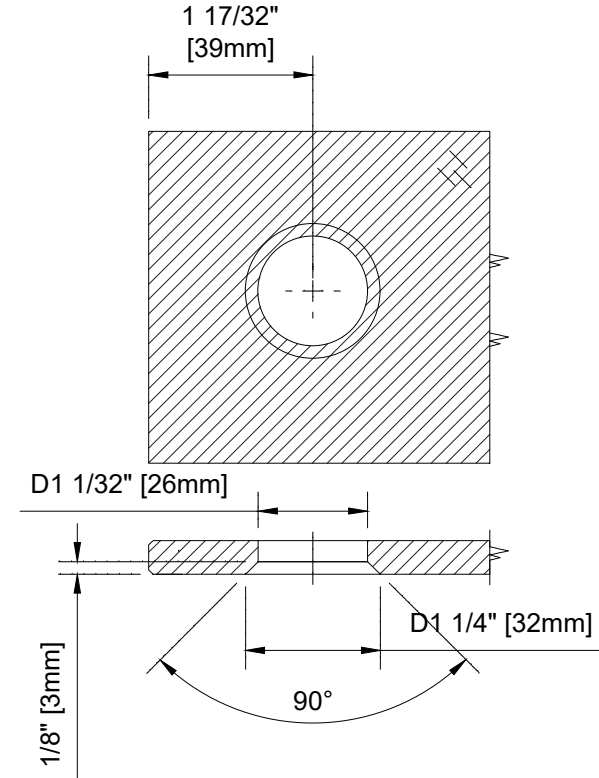
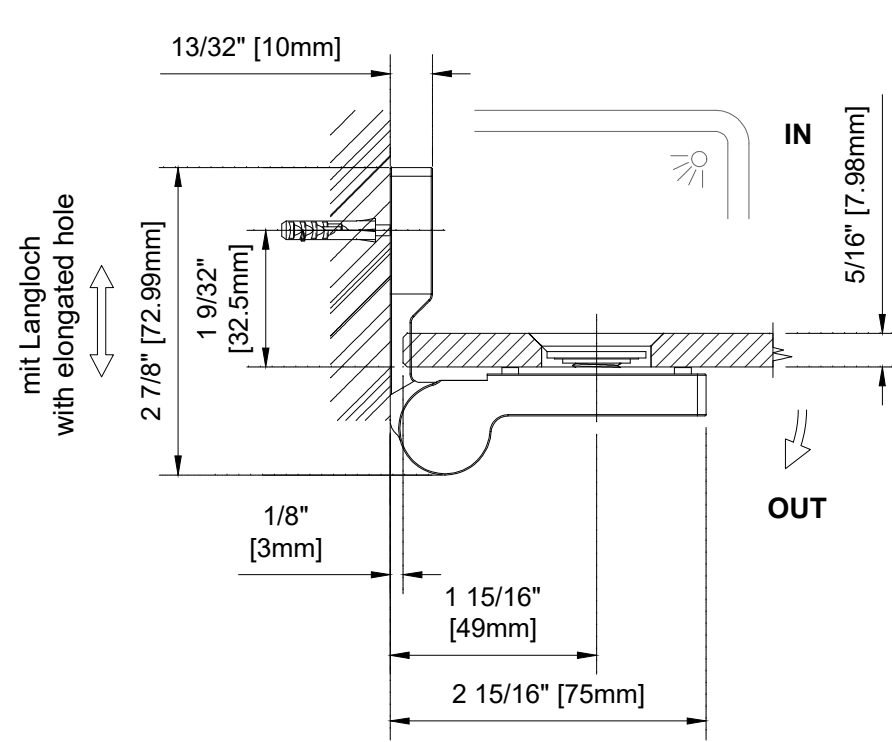
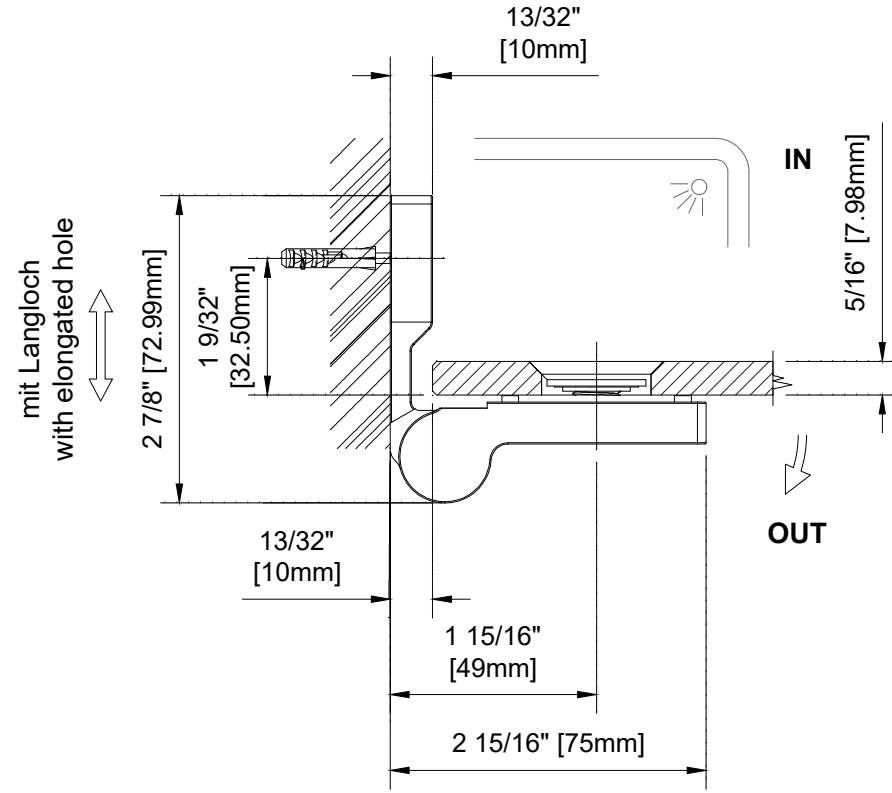


**LUG044L/R**  
STANDARD CUTOUT  
scale: 1/4" = 1'-0"



**LUG044L/R**  
MAXIMUM GLASS PROXIMITY  
scale: 1/4" = 1'-0"



UNLESS OTHERWISE SPECIFIED	
DIMENSIONS ARE IN INCHES	
TOLERANCE IS:	
FRAC ±	
XXX	
ANGLES	
RAU/IN	

IDENTIFIES CRITICAL CHARACTERISTICS FOR CRL INSPECTION  
 ○ IDENTIFIES EXPOSED AREA

REV	DESCRIPTION	DATE	APPD
A			
B			
C			
D			

THIS DRAWING AND THE DESIGN SHOWN THEREIN IS THE PROPERTY OF C.R. LAURENCE CO., INC. AND USE OR COPIES THEREOF CANNOT BE MADE WITHOUT WRITTEN CONSENT.

**CRL**  
 C.R. LAURENCE CO.  
 2503 E. Vernon Avenue, Los Angeles, C.A. 90058-1897  
 PH (800)-421-6144 FX: 800-587-7501  
 www.crlaurence.com

DRAWN BY:	APPROVED BY:	SCALE:	DATE:	PART NO.:
CRL		AS NOTED	01/18/23	LUG044L/R
PART DESCRIPTION:				DWG #:
BRAND:				LUG044L/R
NOTES:				