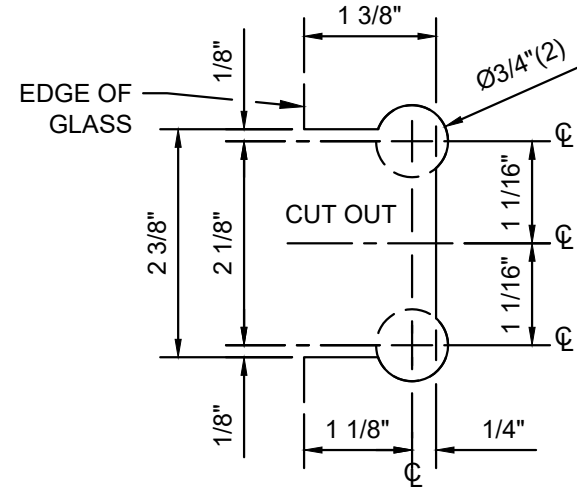
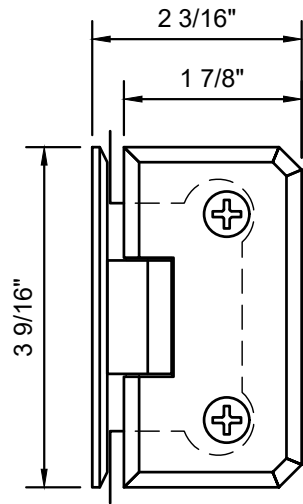
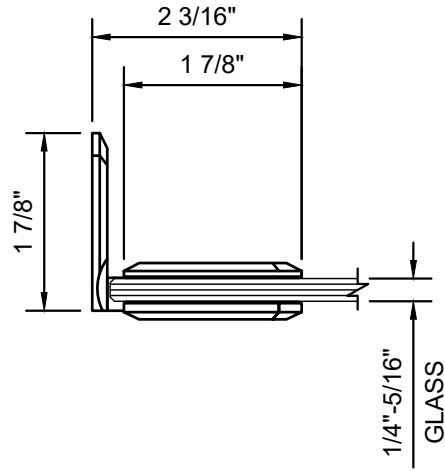


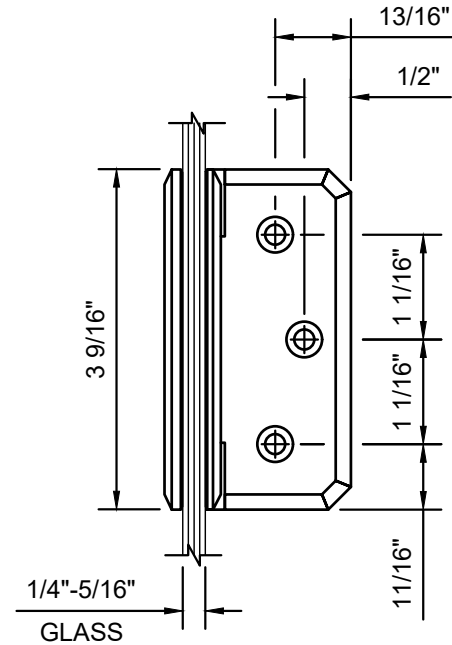
USE OF GASKETS

FOR 1/4" (6mm) GLASS: USE ONE THICK GASKET ON EACH SIDE

FOR 5/16" (8mm) GLASS: USE ONE THIN GASKET ON EACH SIDE



GLASS FABRICATION TEMPLATE



CATALOG NUMBER	FINISH
M0N044CH	POLISHED CHROME
M0N044BR	POLISHED BRASS
M0N044BN	BRUSHED NICKEL
M0N044SC	SATIN CHROME
M0N044WC	WHITE W/ CHROME ACCENT

M0N044XX - CRL MONACO SERIES WALL MOUNT FLUSH BACK PLATE HINGE

DATE: 3/13/19
SCALE: 6"=1'-0"
DRAWN BY: VM

DESCRIPTION: CRL MONACO SERIES HINGE
MON044 WALL MOUNT
FLUSH BACK PLATE HINGE

C.R. LAURENCE CO. ARCHITECTURAL PRODUCTS
2503 E. Vernon Avenue, Los Angeles, CA 90058-1897
PH (800)-421-6144 FX: 800-587-7501 www.crlaurence.com

