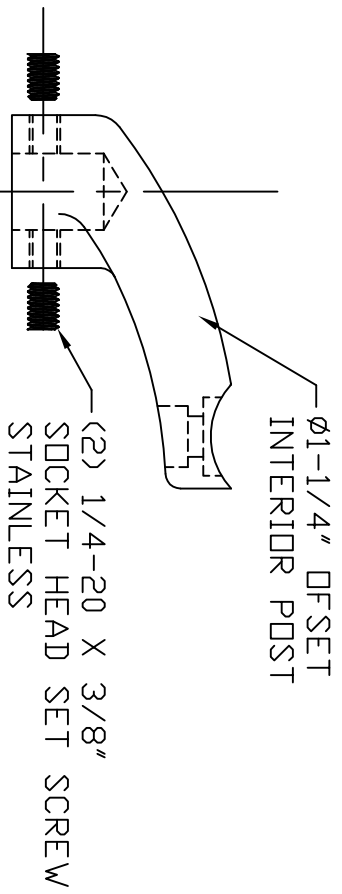


DIRECTION OF
BRUSHED FINISH



5/16-18 X 2\"/>

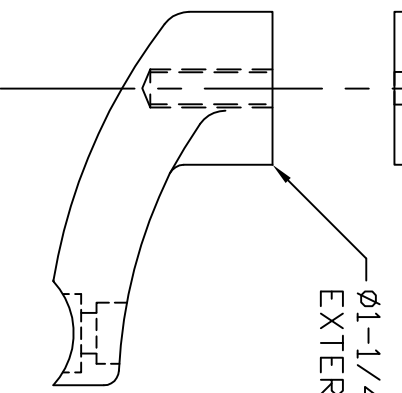
BRASS STUD

Ø1-1/4\"/>

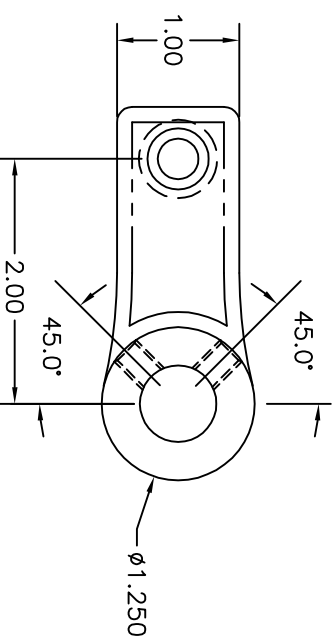
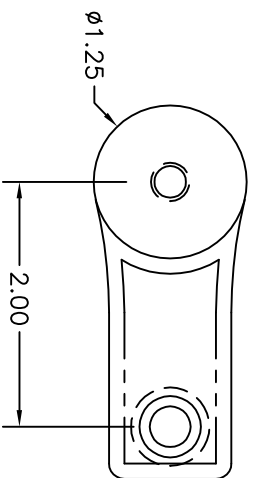
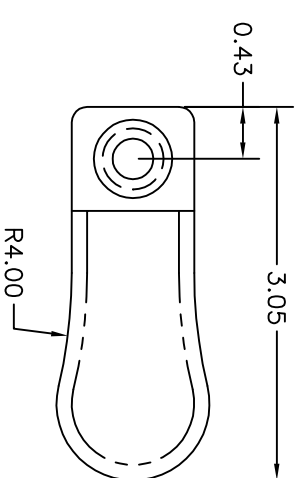
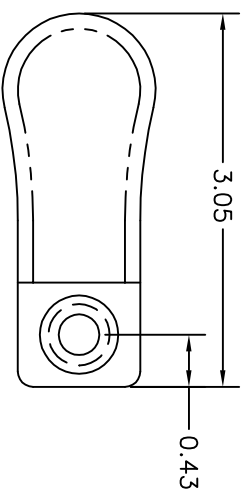
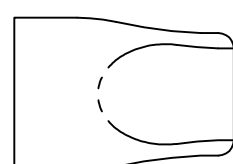
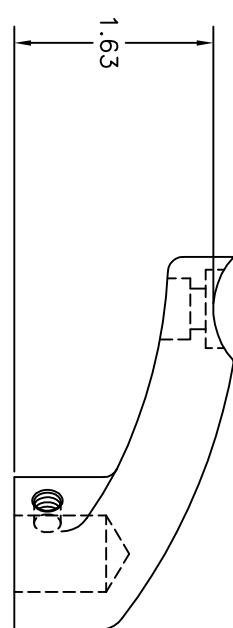
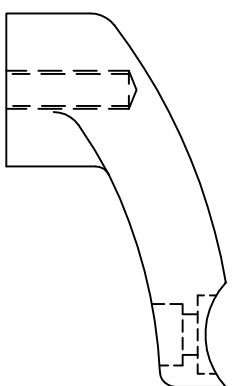
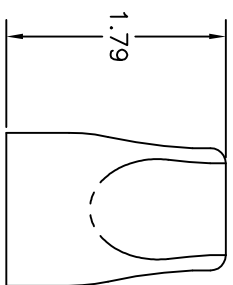
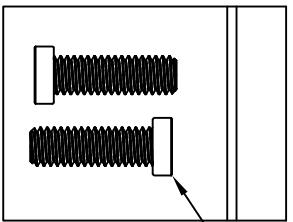
Ø1/2\"/>

Ø1-1/4\"/>

Ø1-1/4\"/>



5/16-18 X 1\"/>



EXTERIOR POST

INTERIOR POST

PART NO. FINISH
 LP0BS BRUSHED STAINLESS
 LP0PS POLISHED STAINLESS

2100 E. 38TH STREET VERNON, CA 90058	PHONE: (323) 598-1281 FAX: (323) 232-2523
DRAWN BY: <i>W. Smith</i>	DATE: 1/14/09
SCALE: NTS	PART NUMBER:
PART: BTB OFFSET HANDLE POST	DRAWING NUMBER:
PRODUCT: OFFSET LADDER PULL	NOTE: MTL'S: 304 STAINLESS STEEL
THIS DRAWING AND THE DESIGN SHOWN THEREIN IS THE PROPERTY OF C.R. LAURENCE CO., INC. AND USE OR COPIES THEREOF CANNOT BE MADE WITHOUT WRITTEN CONSENT.	DRAWING NUMBER: