



FWCR10 - CRL ONE PIECE CORE MOUNT ROUND FRAMELESS WINDSCREEN CLAMPS

THESE FRICTION FIT CLAMPS ARE INTENDED FOR INSTALLATIONS WITHOUT HOLES THROUGH THE GLASS. THESE CLAMPS DON'T HAVE A THROUGH GLASS BOLTING OPTION AND ARE INTENDED FOR LOCATIONS WITH LESSER WIND LOADS OR SMALL LIGHT SIZES AND WHERE FALL PROTECTION TYPICALLY IS NOT REQUIRED.

Revisions By:

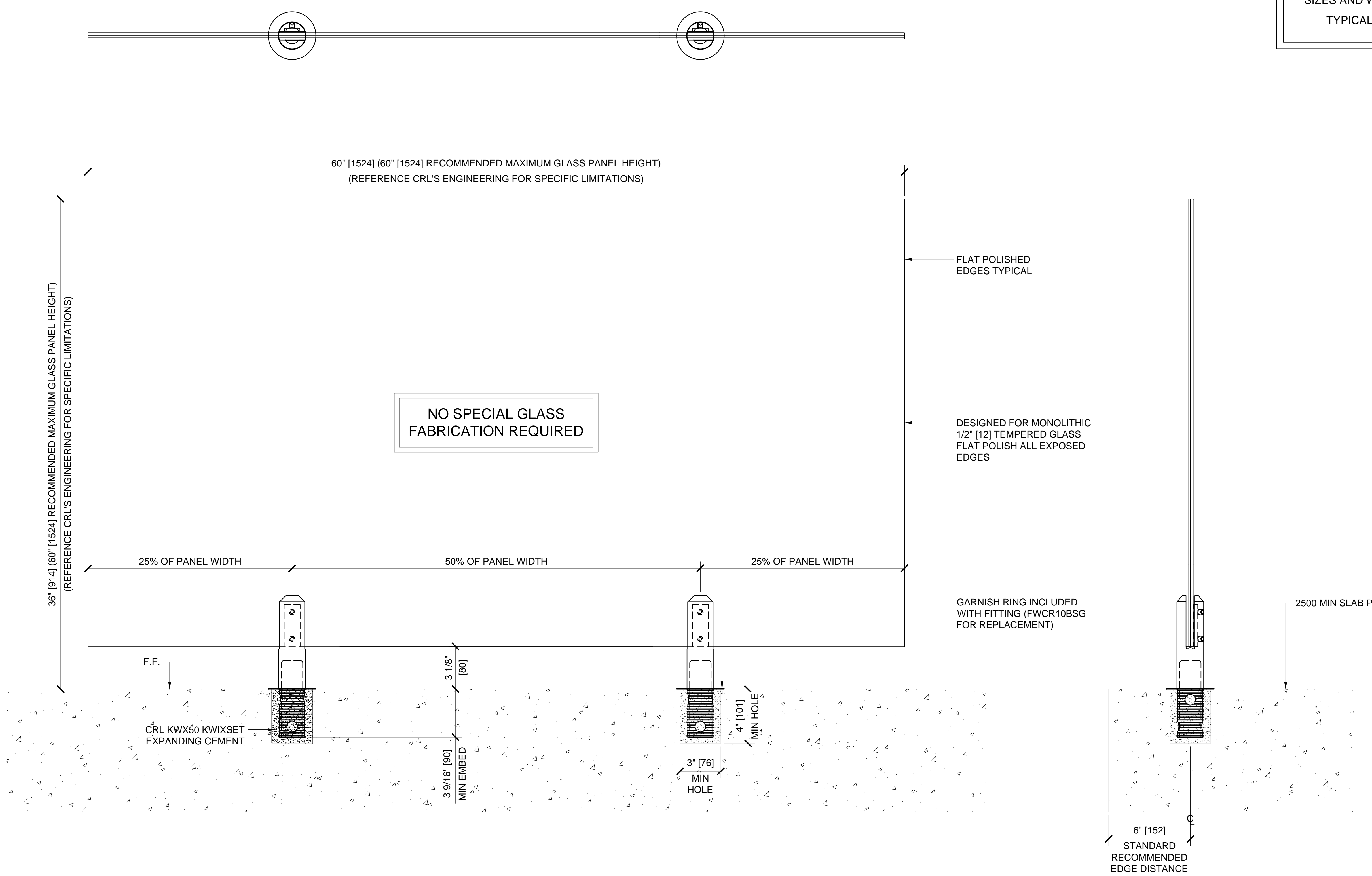
C.R. LAURENCE CO. ARCHITECTURAL PRODUCTS
2503 E. Vermon Avenue, Los Angeles, CA 90058-1897
PH: (800)-421-6144 FX: 800-587-7301 www.crlaurence.com

Description:

FSC FRAMELESS WINDSCREEN SYSTEMS

Drawn By: AAD
Date: 1/15/16
Scale: AS NOTED
File Name: 01-FWCR10-One Piece Core Mount Round Frameless Windscreen System.dwg

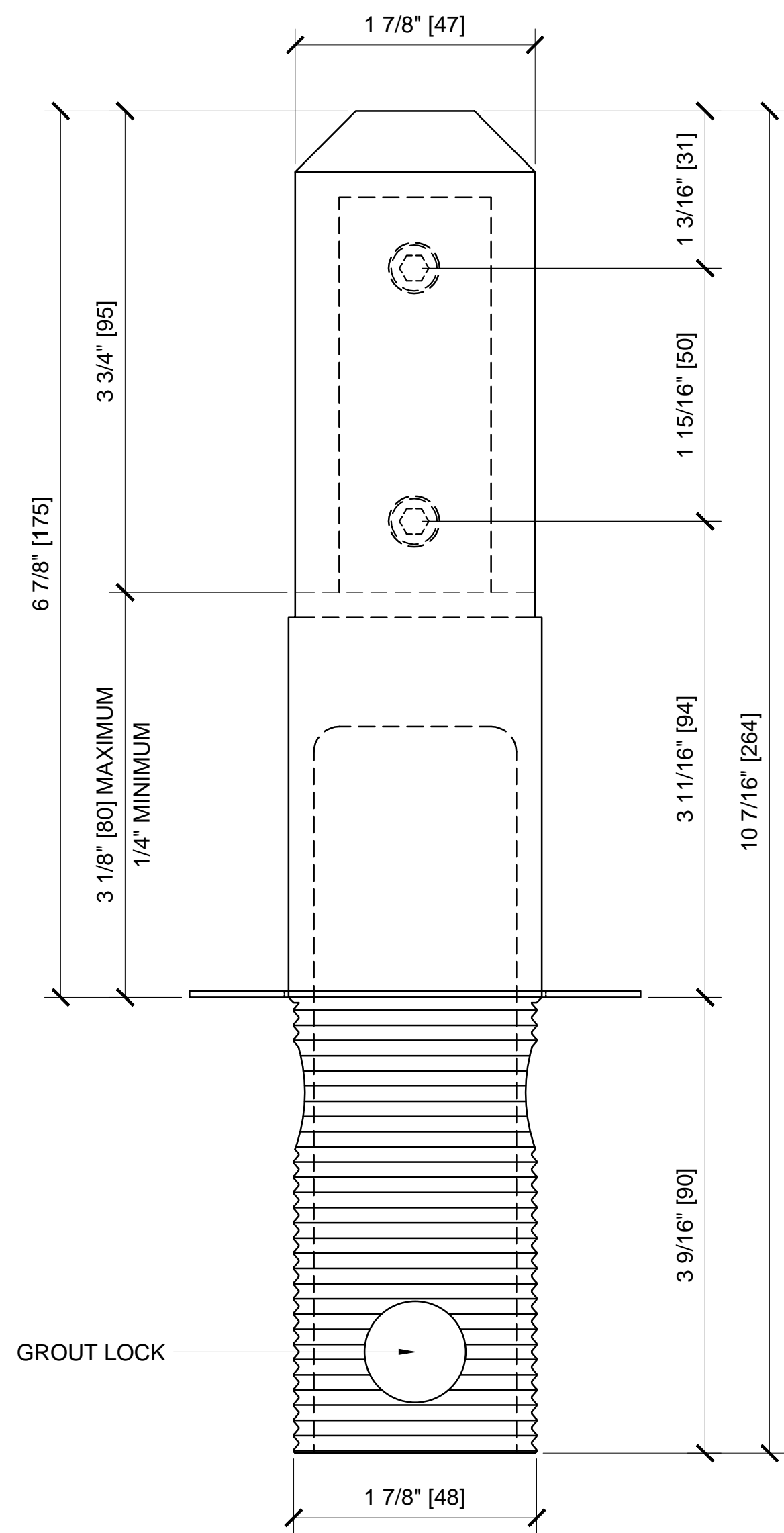
Sheet
1.01



① WINDSCREEN INTERIOR ELEVATION
1'-0"=1'-0"

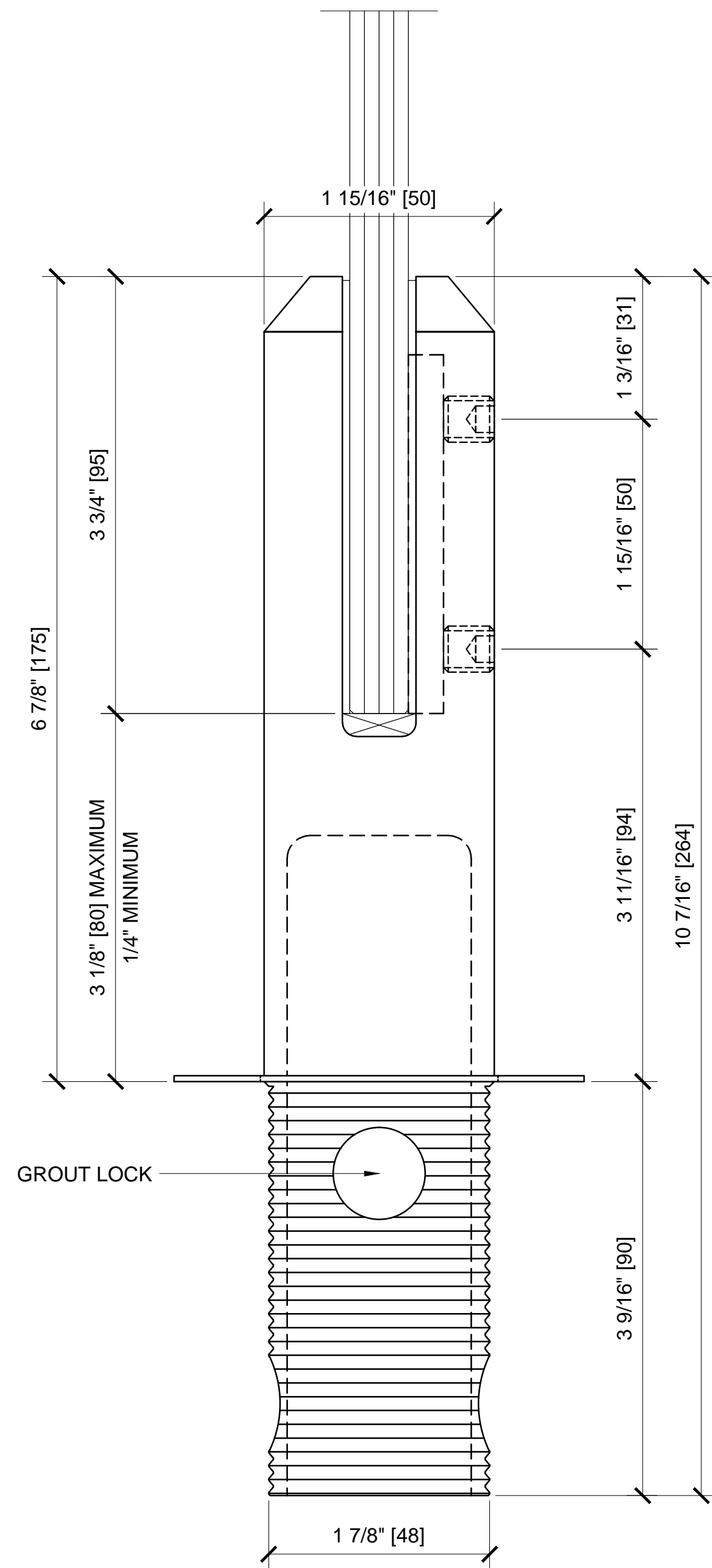
② WINDSCREEN SECTION
1'-0"=1'-0"

CATALOG NUMBER	FINISH
FWCR10BS	BRUSHED STAINLESS - 316L LOW CARBON S.S.
FWCR10PS	POLISHED STAINLESS - 316L LOW CARBON S.S.



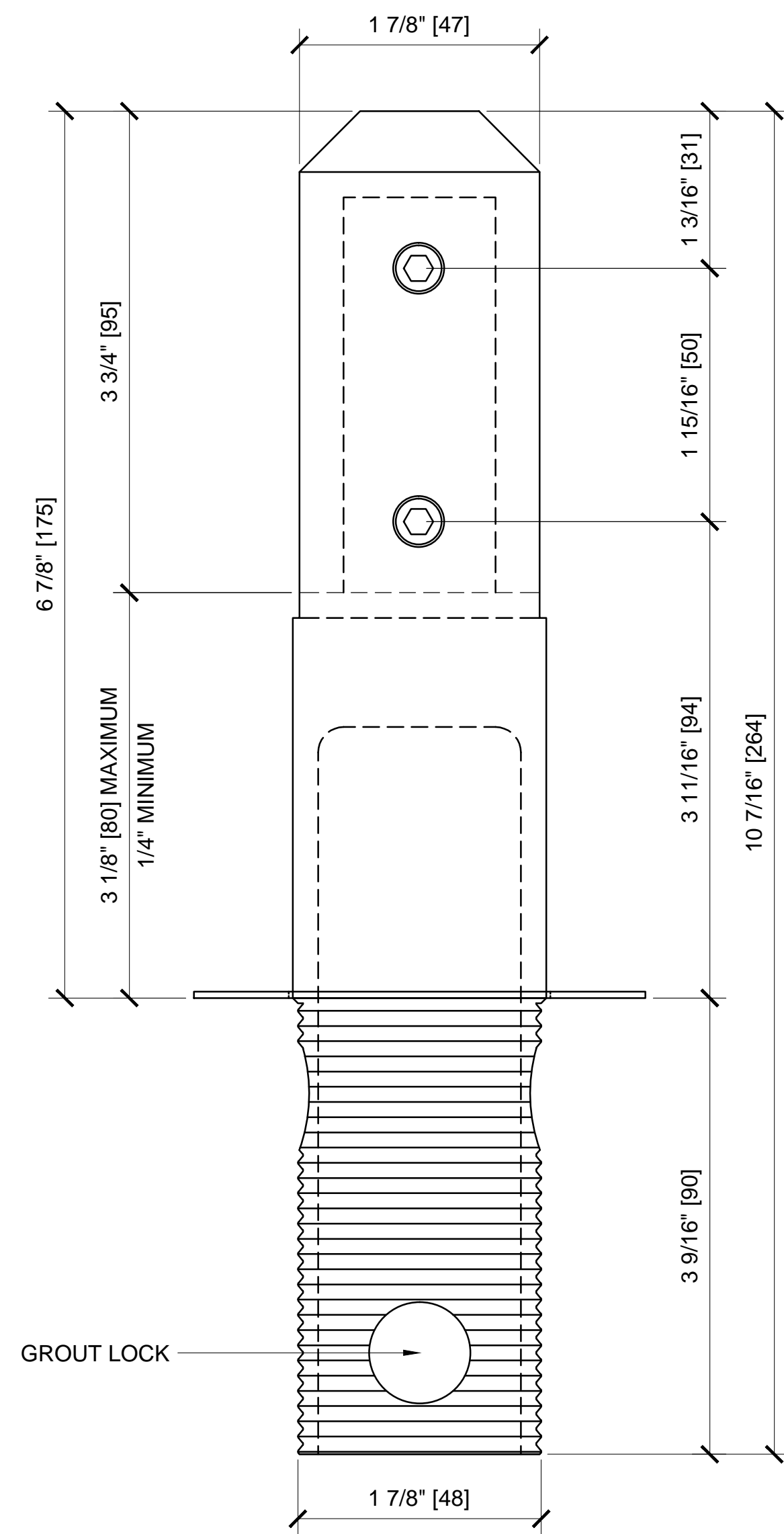
① FWCR10 FRONT VIEW

1'-0"=1'-0"



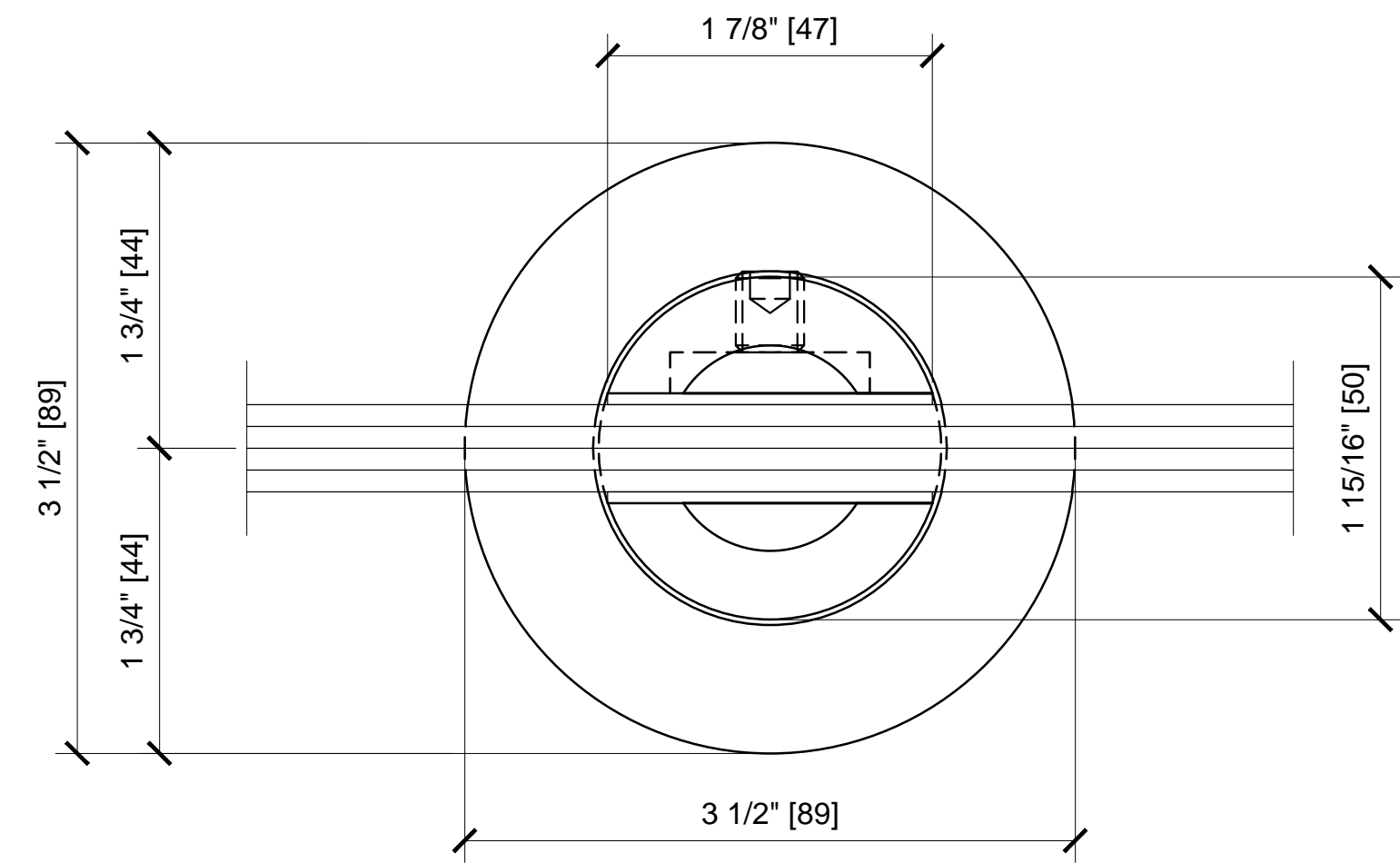
② FWCR10 SIDE VIEW

1'-0"=1'-0"



③ FWCR10 REAR VIEW

1'-0"=1'-0"



④ FWCR10 TOP VIEW

1'-0"=1'-0"

Revisions By:



C.R. LAURENCE CO. ARCHITECTURAL PRODUCTS
2503 E. Vermon Avenue, Los Angeles, CA 90058-1897
PH: (800)-421-6144 FX: (800)-587-7301 www.crlaurence.com

Description:

FSC FRAMELESS
WINDSCREEN SYSTEMS

Drawn By: AAD

Date: 1/15/16

Scale: AS NOTED

File Name:
01-FWCR10-One Piece Core Mount
Round Frameless Windscreen System.dwg

Sheet

2.01