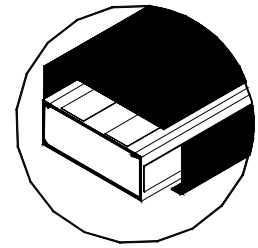
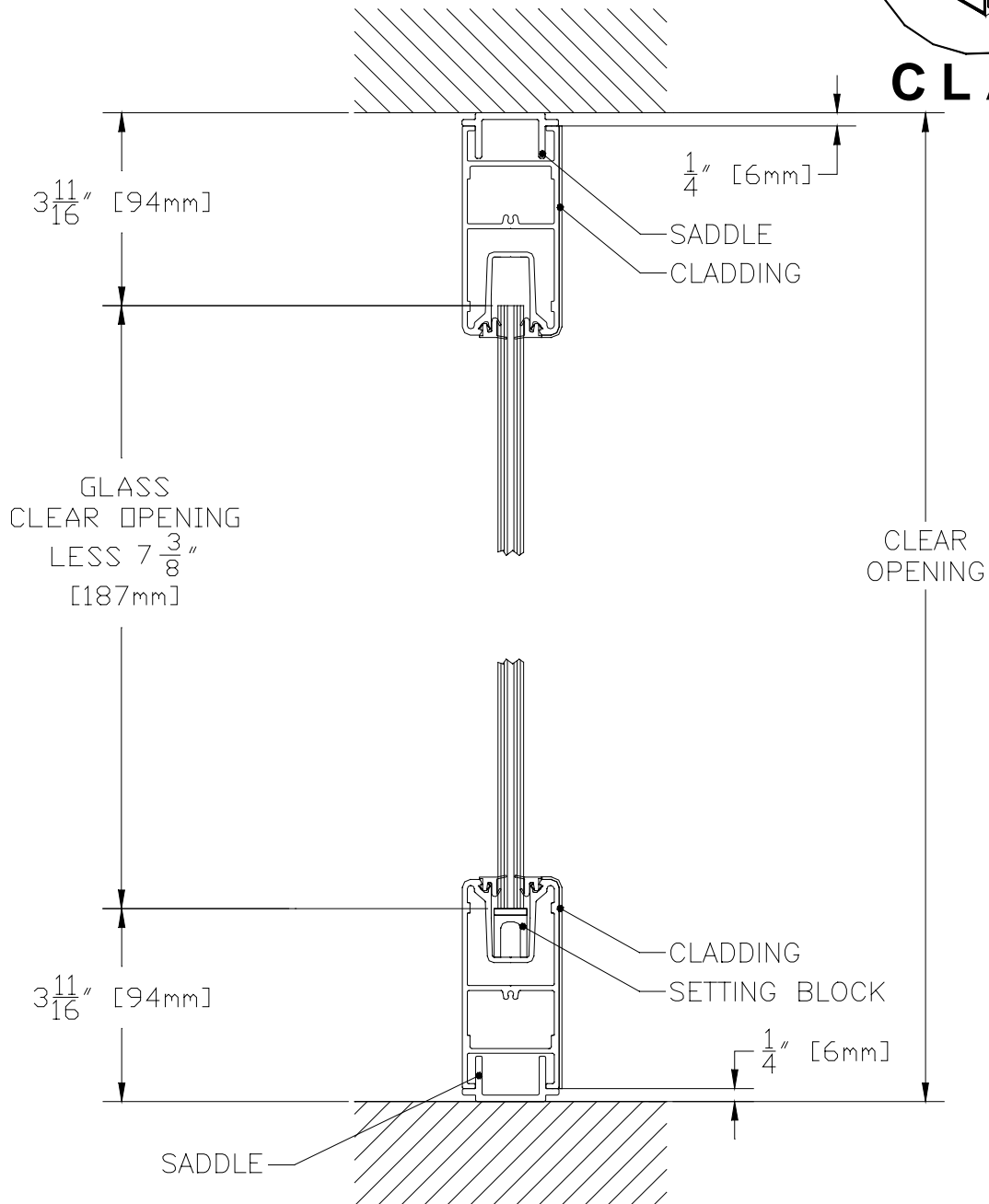


NOTE:

1. DIMENSIONS ARE THE SAME FOR CLAD AND NON CLAD RAILS
2. FOR 3/4" [19mm] SADDLE (TO MATCH 1/2" [13mm] THRESHOLD) REVERSE SADDLE. GLASS WILL BE CLEAR OPENING LESS 7-7/8" [200mm]



CLAD



4" SQUARE SIDELITE RAIL WITH 1/4" SADDLE TOP
 4" SQUARE SIDELITE RAIL WITH 1/4" SADDLE AND
 SETTING BLOCK BOTTOM CLAD AND NON CLAD

CRL DOOR RAIL SYSTEM

C.R. Laurence Architectural Products

Phone Orders (800) 421-6144

Fax Orders (800) 262-3299

WWW.CRLAURENCE.COM

Patent Pending

STYLE 29