

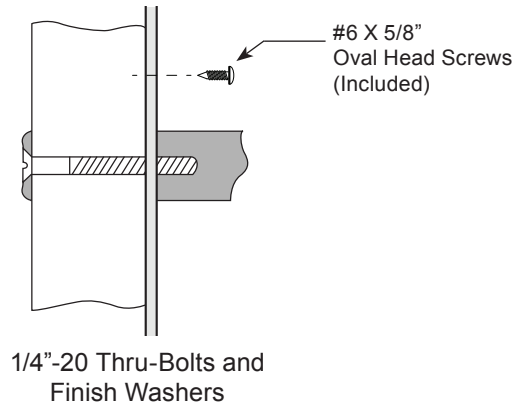
CRL ALUMINUM DOOR MOUNTED STANDARD PULL HANDLES

CRL 3/4" DIAMETER 6" PULL HANDLE WITH 3-1/2" X 15" PUSH PLATE

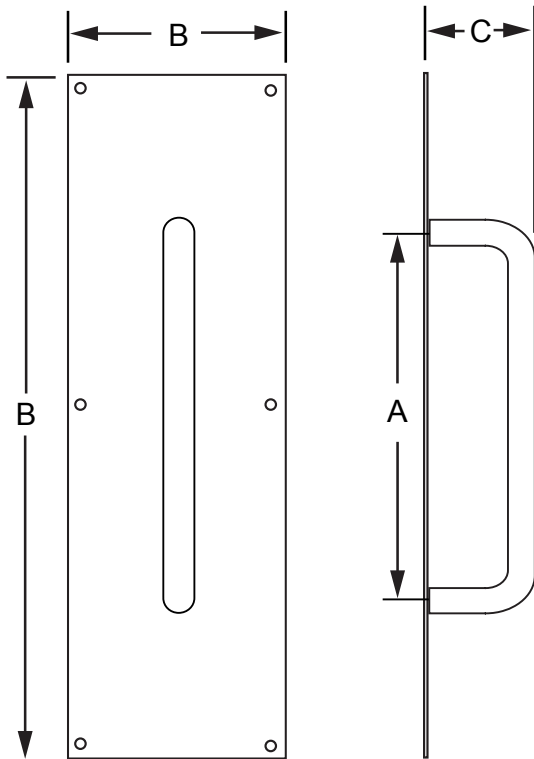


CAT. NO.
M6732D
M6728
M673

INCLUDED MOUNTING HARDWARE



MOUNTING TEMPLATE



FINISH
M6732D = BRUSHED STAINLESS
M6728 = CLEAR ANODIZED
M673 = POLISHED BRASS

NOTE: Please select appropriate Cat. No. for color and finish.

A	B	C
6" (152 mm)	3-1/2" x 15" (89 x 381 mm) Plate	2-1/2" (64 mm)

Mounting Options	Wood/Aluminum up to 1-3/4" (45 mm)
Mounting Hardware	Included

NOTE: Optional hardware kits must be purchased separately.

