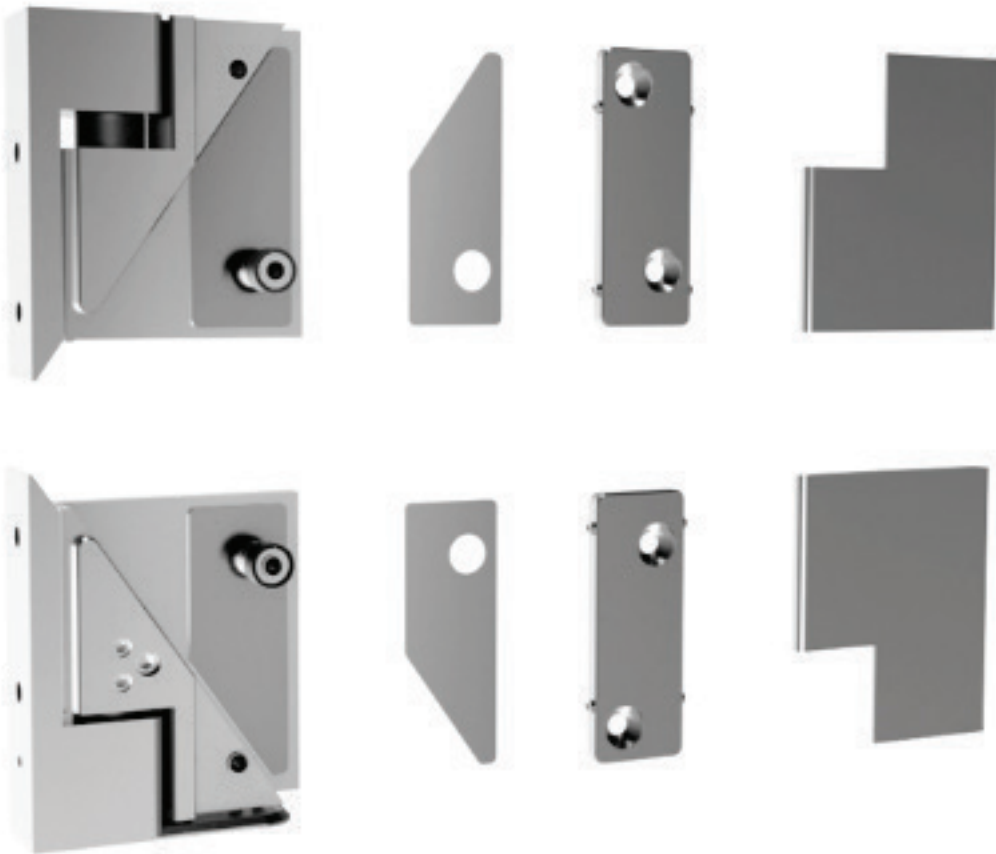
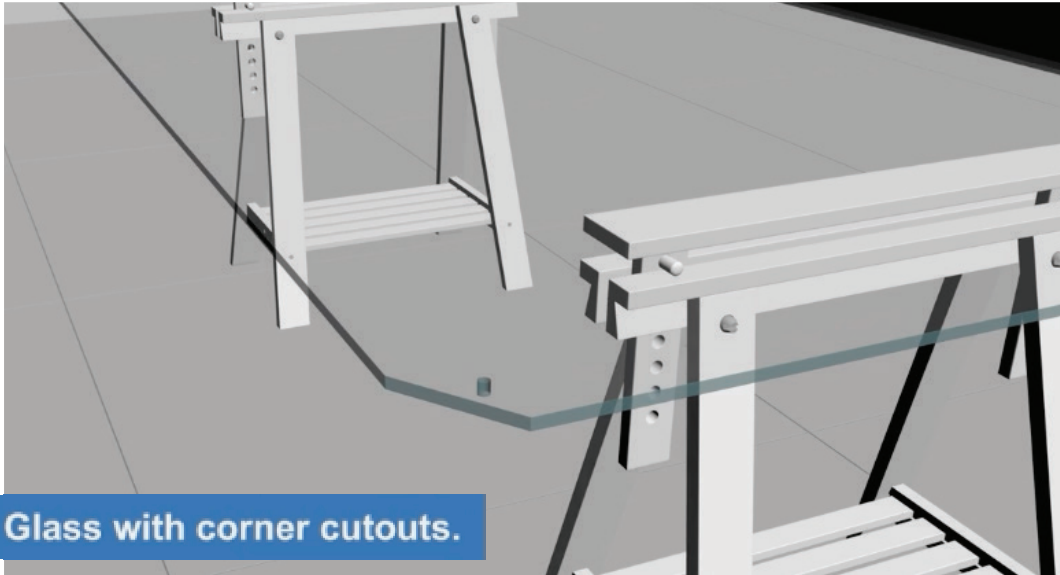


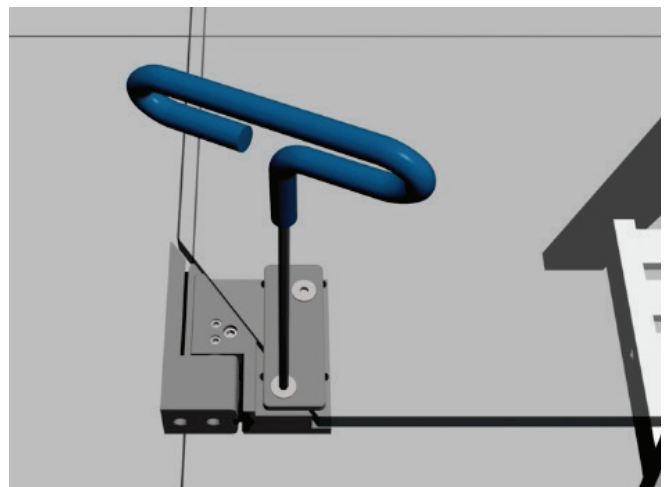
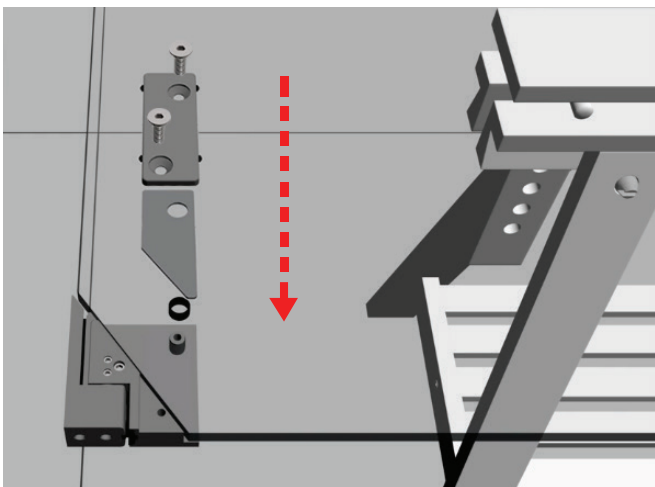
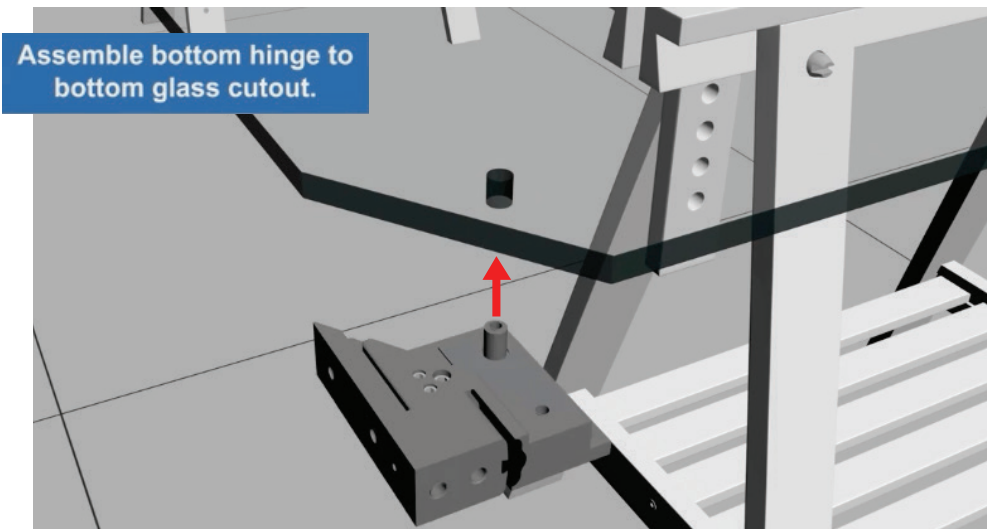
**ZER000
ZERO HINGE
WALL MOUNT**



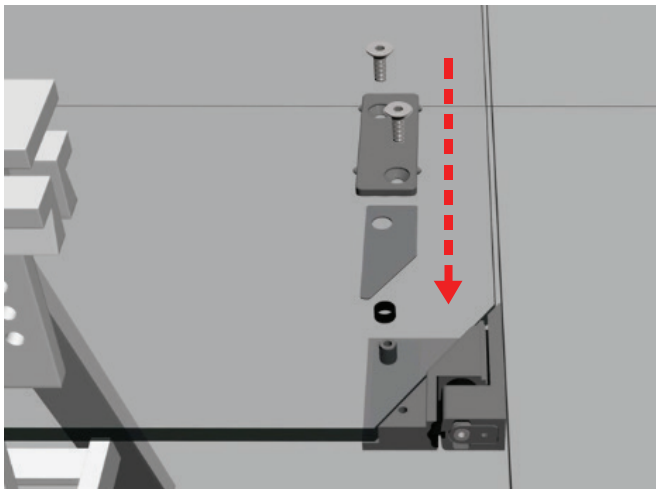
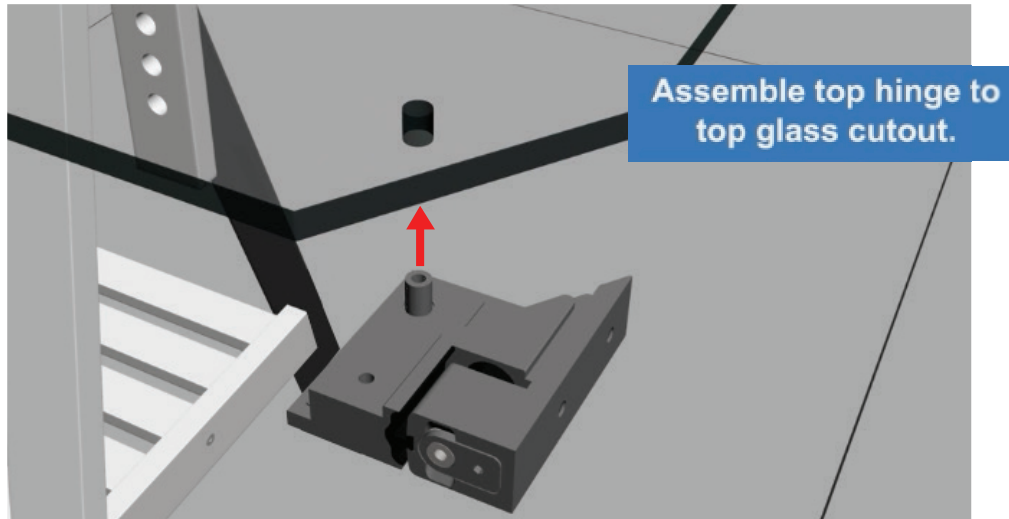
①



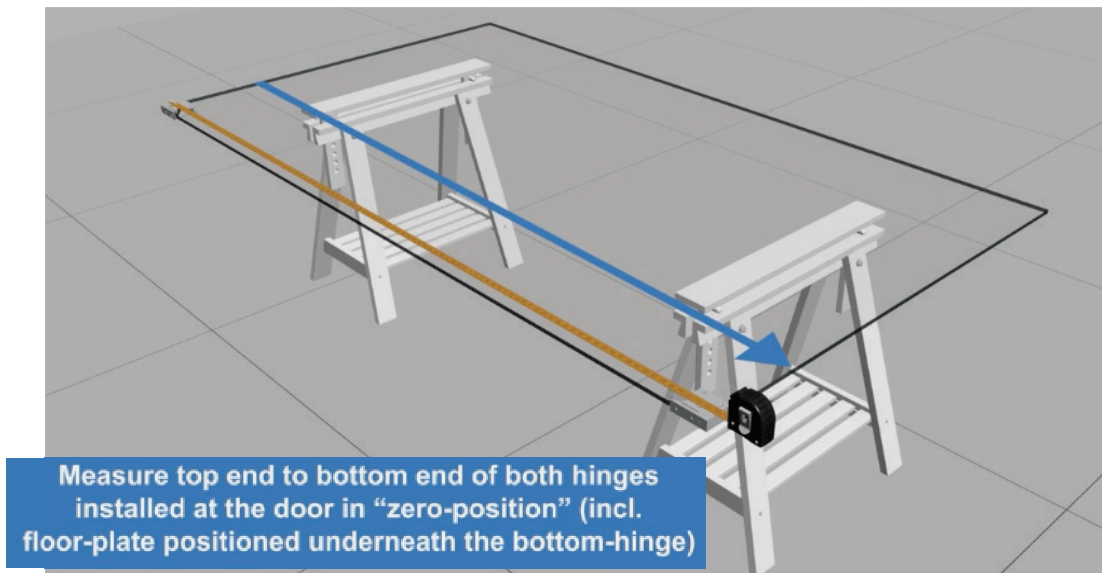
②



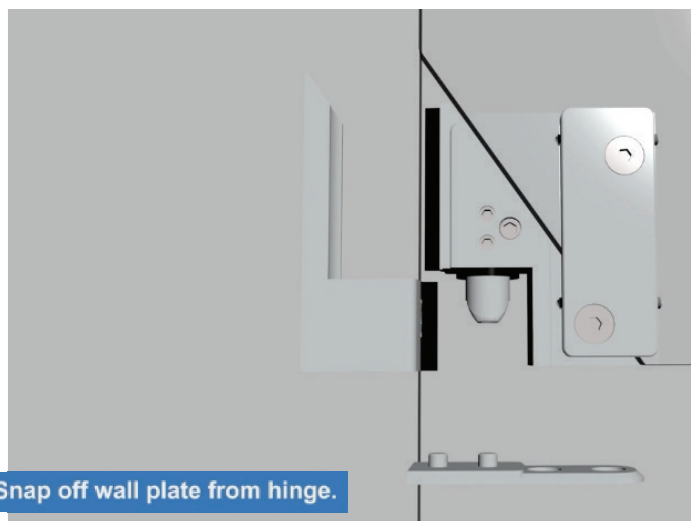
3



4



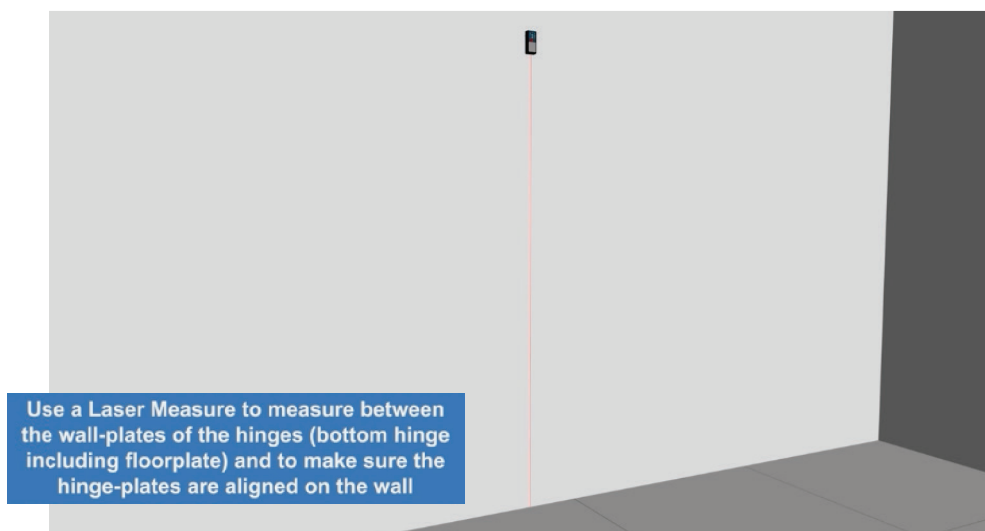
5



6

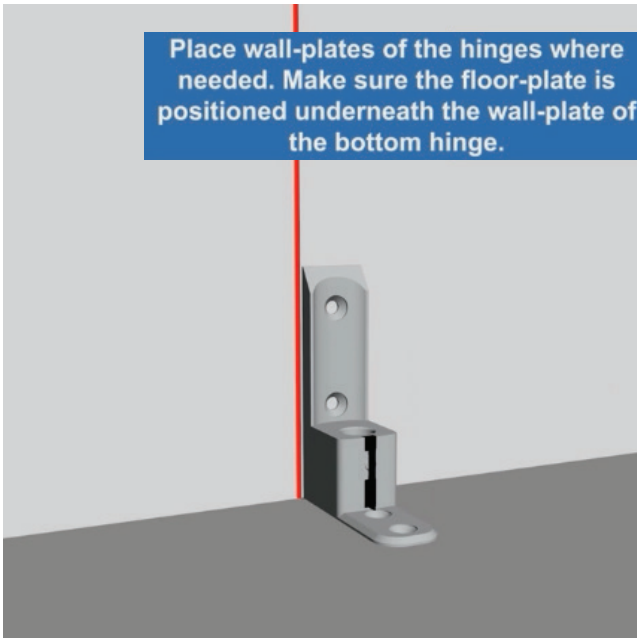


7

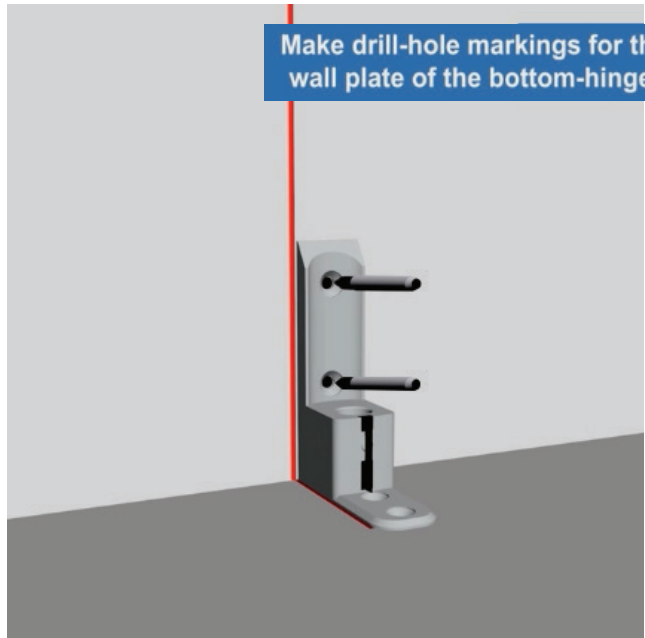


8

Place wall-plates of the hinges where needed. Make sure the floor-plate is positioned underneath the wall-plate of the bottom hinge.



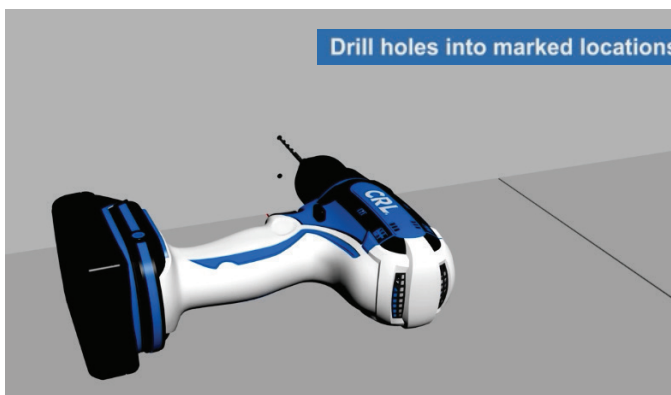
Make drill-hole markings for the wall plate of the bottom-hinge.



Make drill-hole markings for the wall plate of the top-hinge.

9

Drill holes into marked locations.

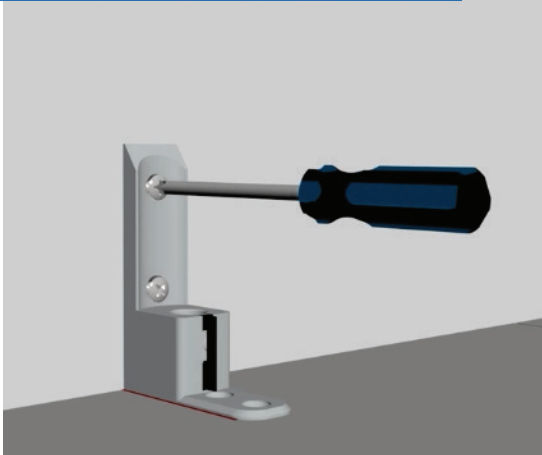


Drill holes into marked locations.

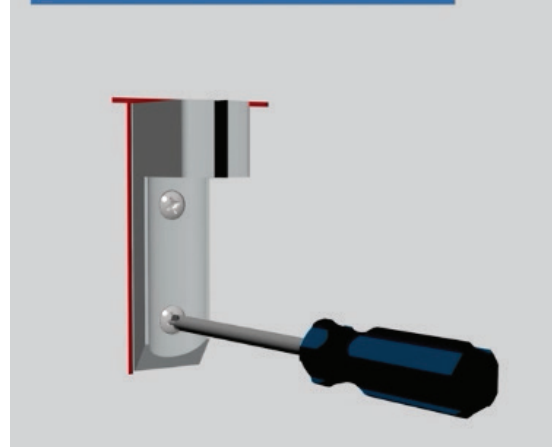


10

Install bottom wall plate with the floor plate underneath the bottom-plate.



Install top wall plate with the top hinge pin still retracted.

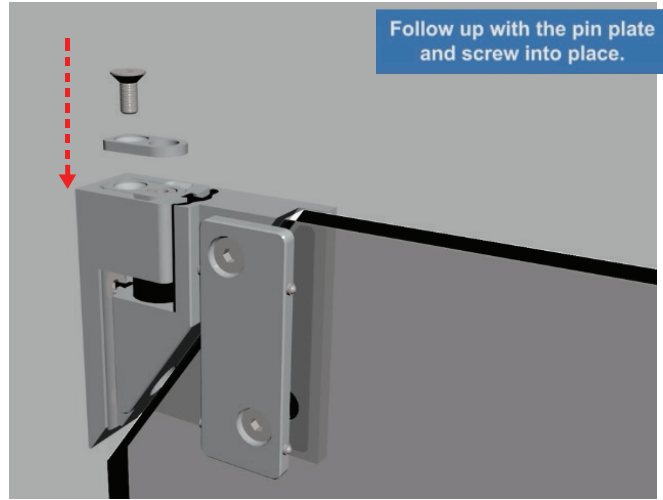
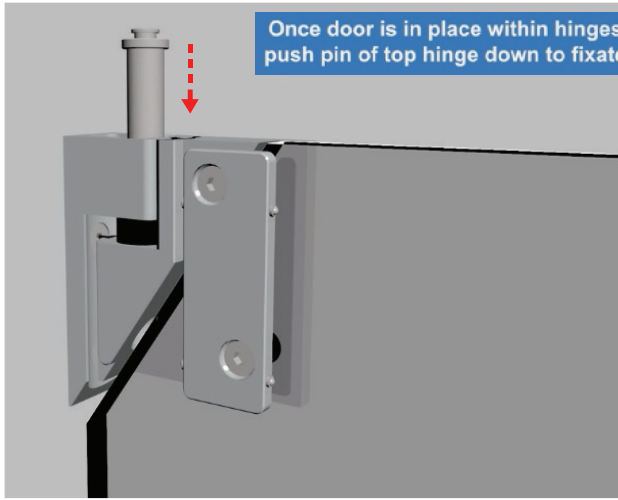


11

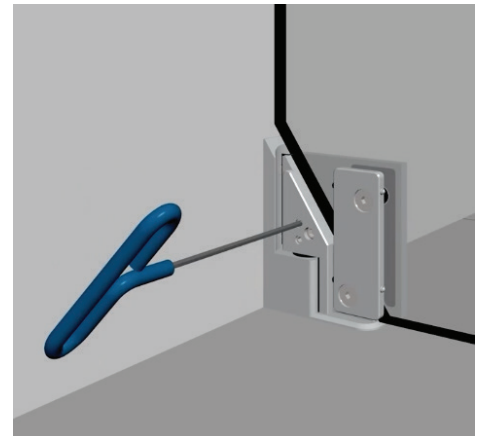
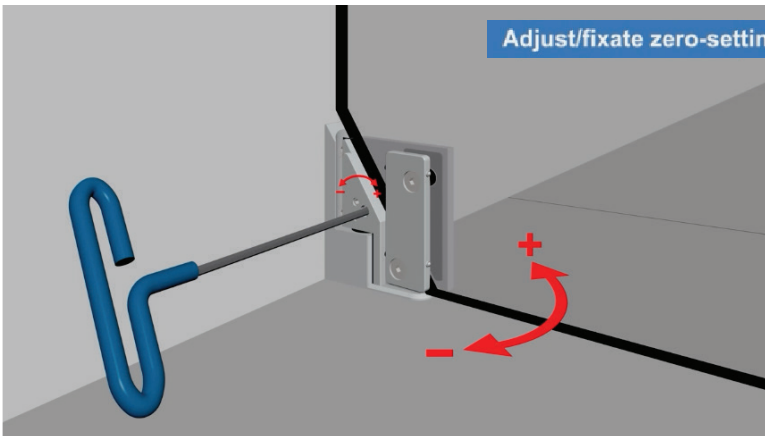
Put door into the hinges in an angled approach.



12



13



14

