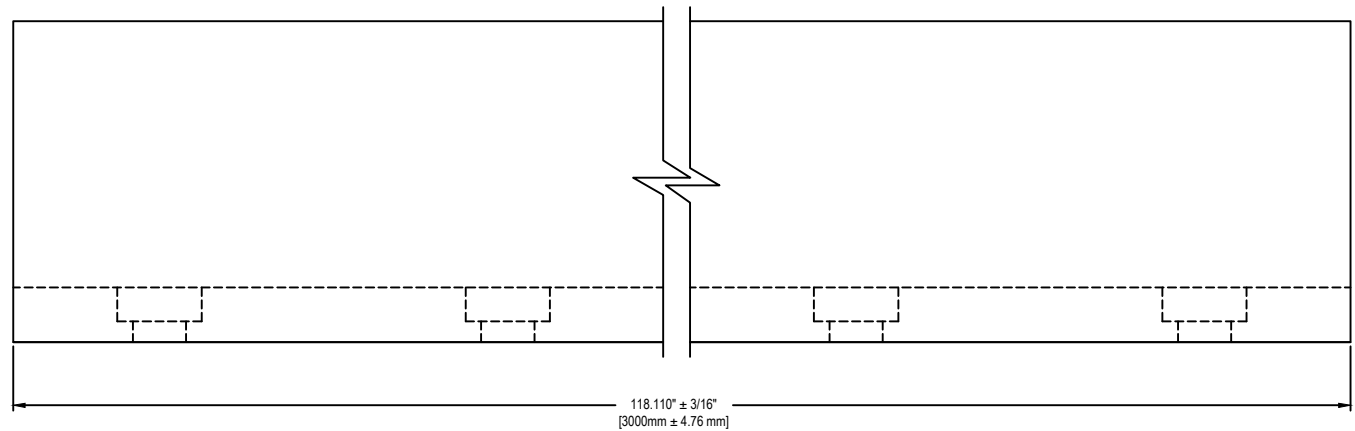
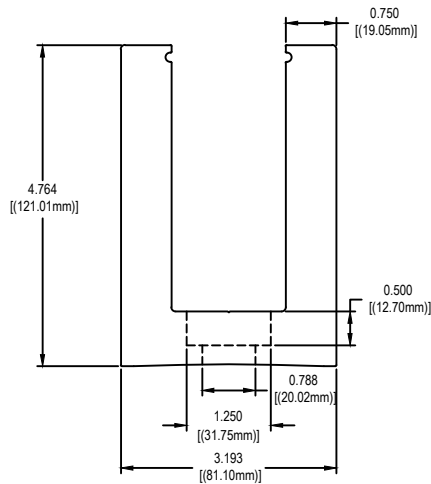
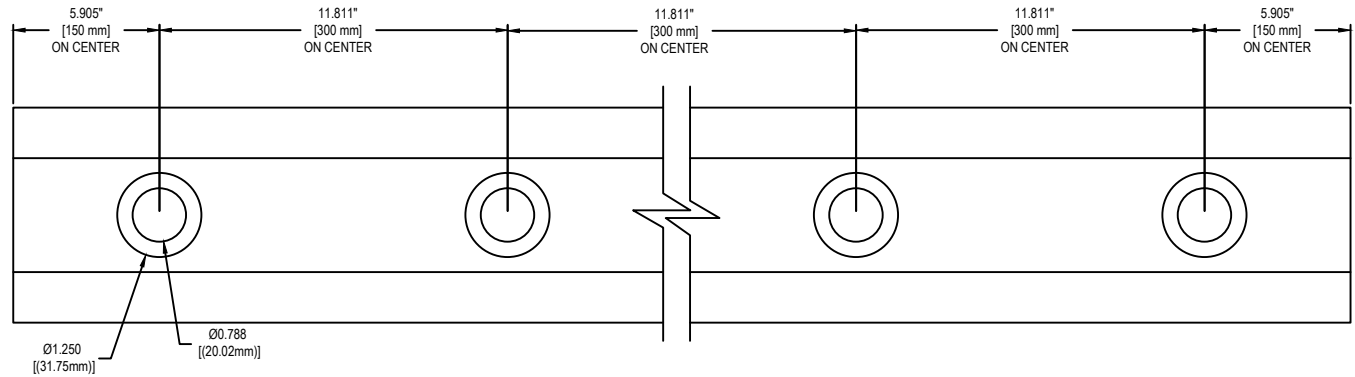
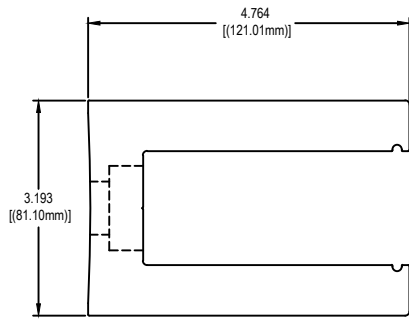


# 21.5 mm Laminated Glass Base Shoe with bottom mounting holes



UNLESS OTHERWISE SPECIFIED  
DIMENSIONS ARE IN INCHES  
TOLERANCE IS:

Frac ± 1/16  
.XX ± .010  
.XXX ± .005  
ANGLES ± .5  
RADIAL

REV.	DESCRIPTION	DATE	BY

THIS DRAWING AND THE DESIGN SHOWN THEREIN IS THE PROPERTY OF  
C.R.LAURENCE CO., INC.  
AND USE OR COPIES THEREOF CANNOT BE MADE  
WITHOUT WRITTEN CONSENT.

**CRL** C.R. Laurence Co., Inc  
2100 E. 38TH STREET VERNON, CA 90058  
PHONE: (323) 588-1281 FAX: (323) 232-2523

DRAWN BY: CQ	SCALE: NTS	DATE: 3/01/04	PART NUMBER: L21S10D
PART: 21.5 mm Lami Glass fab base shoe			
PRODUCT: HRS			
NOTE: 6063-T52 Mill Finish			DRAWING NUMBER: L21S10D