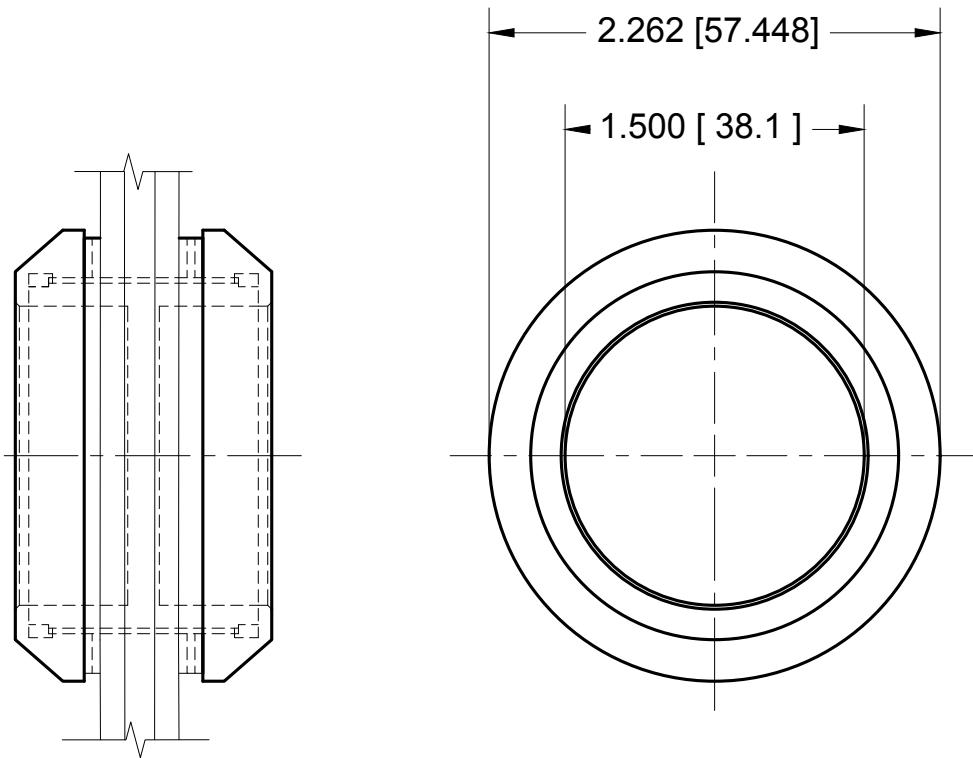


PART NUMBER	FINISH
FP214BS	BRUSHED STAINLESS
FP214MBL	MATTE BLACK



Glass Thickness Range: 3/8" to 1/2" (10 to 12 mm)
Hole Diameter Required: 1-7/8" (48 mm)



C.R.LAURENCE CO.
 ARCHITECTURAL PRODUCTS
 PH (800)-421-6144 FX: 800-587-7501
 www.crlaurence.com

DESCRIPTION:

LAGUNA SERIES THRU-GLASS PULL

PART #:	SEE CHART	DATE:	10/23/18
FILE NAME:	FP214	SCALE:	FULL SIZE
DRAWN BY:	BRIAN R.		