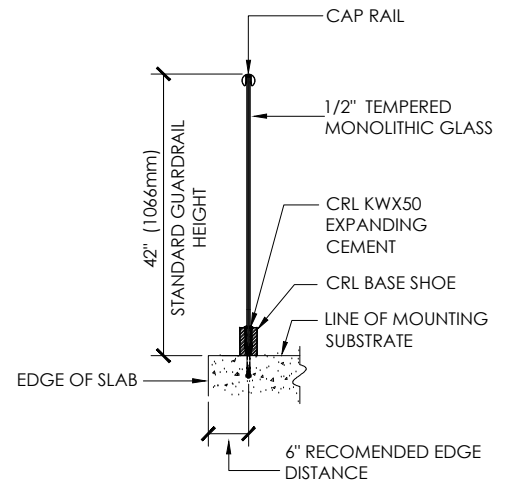


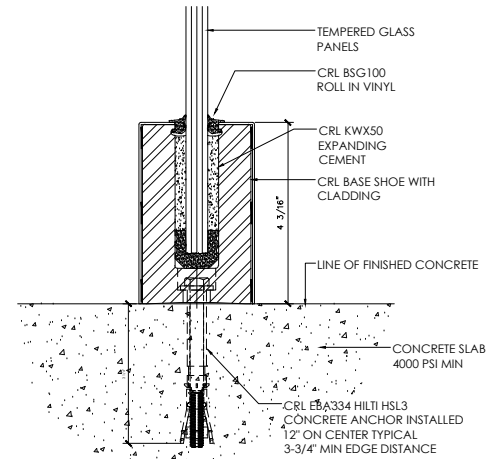
TYPICAL GLASS RAILING ELEVATION

GRS FRAMELESS GLASS RAILING SYSTEM



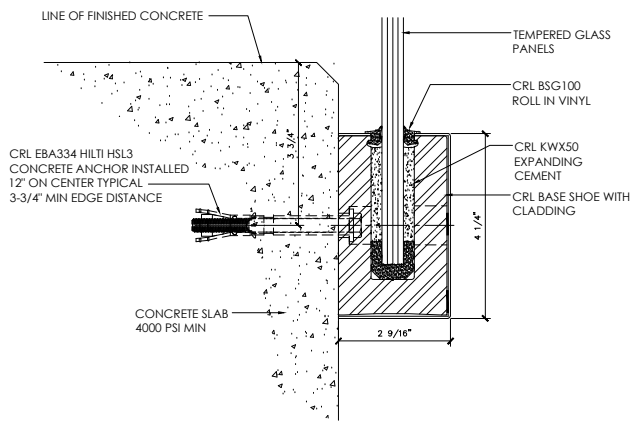
TYPICAL SECTION

TYPICAL BASE SHOE ATTACHMENTS



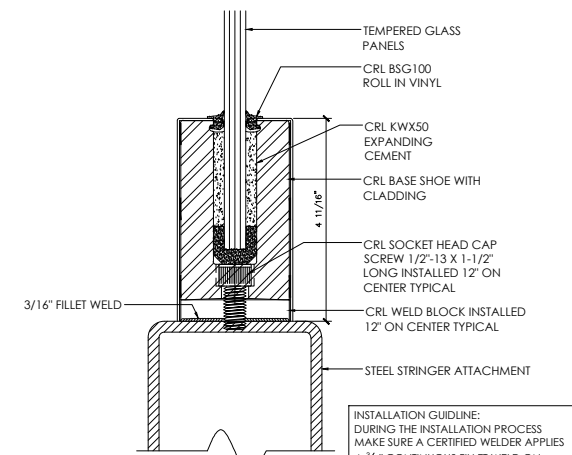
CONCRETE SUBSTRATE
TYPICAL SURFACE MOUNT DETAIL

ANCHOR SPACING WILL DEPEND ON MOUNTING SUBSTRATE AND REGION OF PROJECT



CONCRETE SUBSTRATE
TYPICAL FACISA MOUNT DETAIL

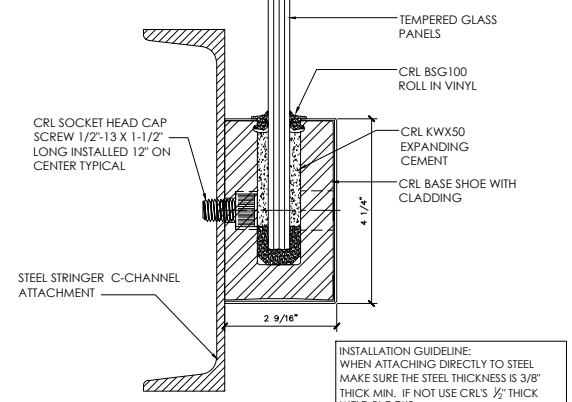
ANCHOR SPACING WILL DEPEND ON MOUNTING SUBSTRATE AND REGION OF PROJECT



STEEL TUBE SUBSTRATE
TYPICAL SURFACE MOUNT DETAIL

12" ON CENTER ANCHOR SPACING TYPICAL

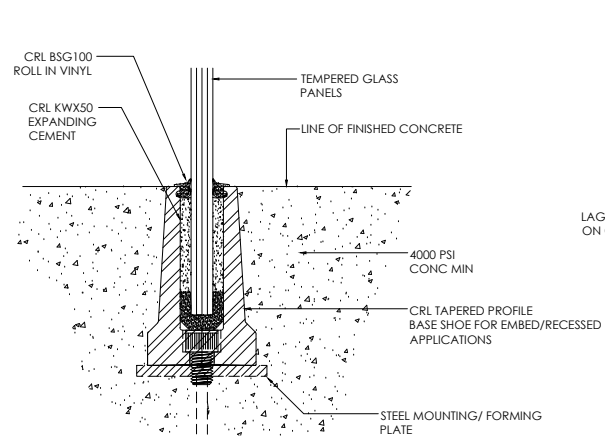
INSTALLATION GUIDELINE:
DURING THE INSTALLATION PROCESS
MAKE SURE A CERTIFIED WELDER APPLIES
A 3/8" CONTINUOUS FILLET WELD ON
TWO SIDES OF THE WELD BLOCK



STEEL C-CHANNEL SUBSTRATE
TYPICAL SURFACE MOUNT DETAIL

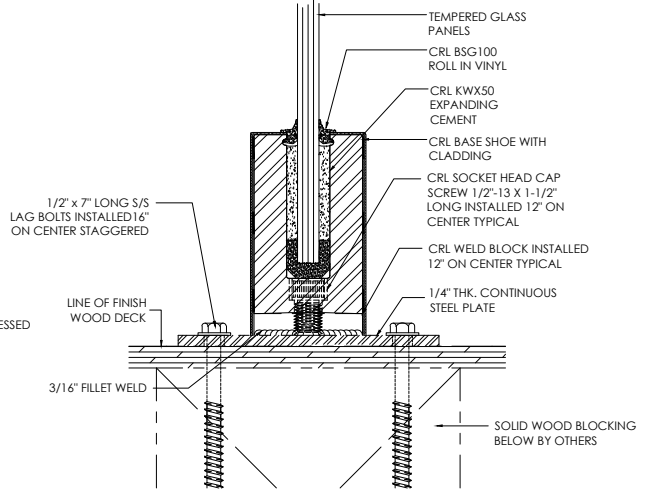
12" ON CENTER ANCHOR SPACING TYPICAL

INSTALLATION GUIDELINE:
WHEN ATTACHING DIRECTLY TO STEEL
MAKE SURE THE STEEL THICKNESS IS 3/8"
THICK MIN. IF NOT USE CRL'S 1/2" THICK
WELD BLOCKS



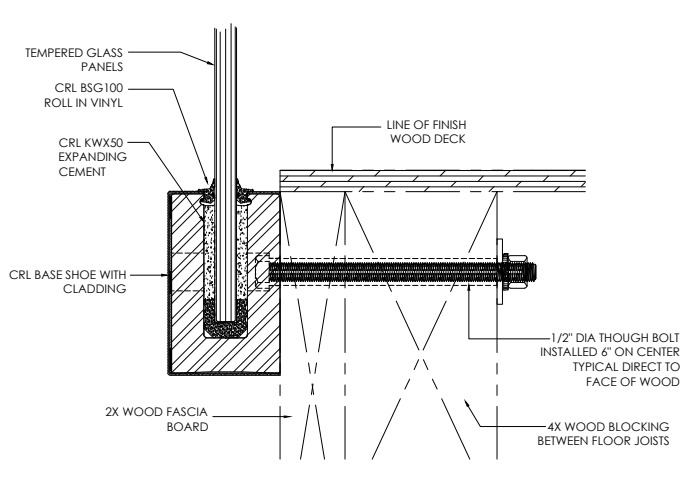
CONCRETE SUBSTRATE
TYPICAL EMBEDDED MOUNT DETAIL

ANCHOR SPACING WILL DEPEND ON MOUNTING SUBSTRATE AND REGION OF PROJECT



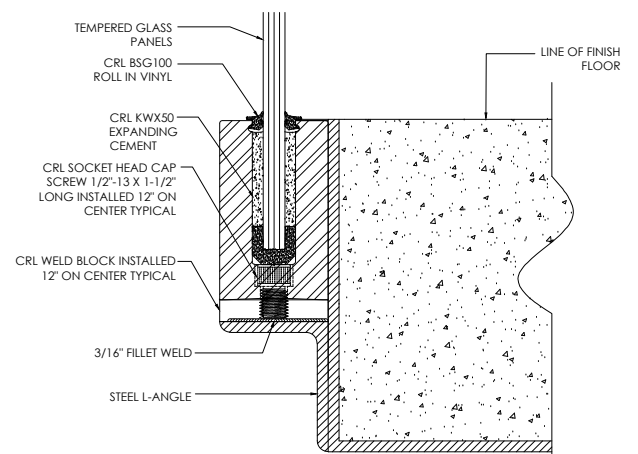
WOOD SUBSTRATE
TYPICAL SURFACE MOUNT DETAIL

ANCHOR SPACING WILL DEPEND ON MOUNTING SUBSTRATE AND REGION OF PROJECT



WOOD SUBSTRATE
TYPICAL FACISA MOUNT DETAIL

ANCHOR SPACING WILL DEPEND ON MOUNTING SUBSTRATE WOOD SPECI AND REGION OF PROJECT



STEEL L-LANGLE SUBSTRATE
TYPICAL FACISA MOUNT DETAIL

12" ON CENTER ANCHOR SPACING TYPICAL TO STEEL ANGLE

INSTALLATION GUIDELINE:
DURING THE INSTALLATION PROCESS
MAKE SURE A CERTIFIED WELDER APPLIES
A 3/8" CONTINUOUS FILLET WELD ON
TWO SIDES OF THE WELD BLOCK

Revisions By:

| |
|--|
| |
| |
| |
| |
| |
| |
| |
| |
| |
| |

C.R. LAURENCE CO.
ARCHITECTURAL PRODUCTS
2503 E. Vernon Avenue, Los Angeles, CA 90056-1897
PH (800)-421-8444 FAX (800)-387-7501
www.crlaluminum.com

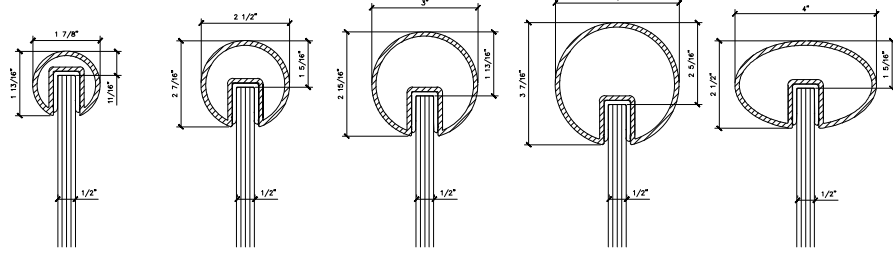
GRS GLASS RAILING SYSTEM
WET GLAZED
DRAWING FILES

Description:

Drawn By: C.H
Date: 07-13-11
Scale: as shown
File Name: GRS11
Sheet

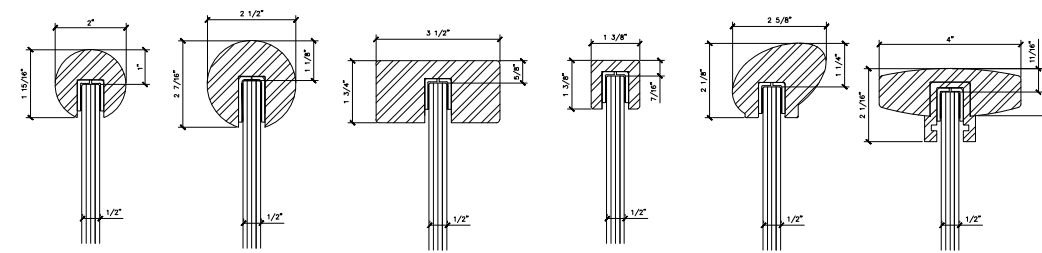
CRL's GRS GLASS RAILING SYSTEM CAP RAIL PROFILES FOR MONOLITHIC TEMPERED GLASS APPLICATIONS

ALUMINUM SHAPES FOR 1/2" TO 5/8" GLASS



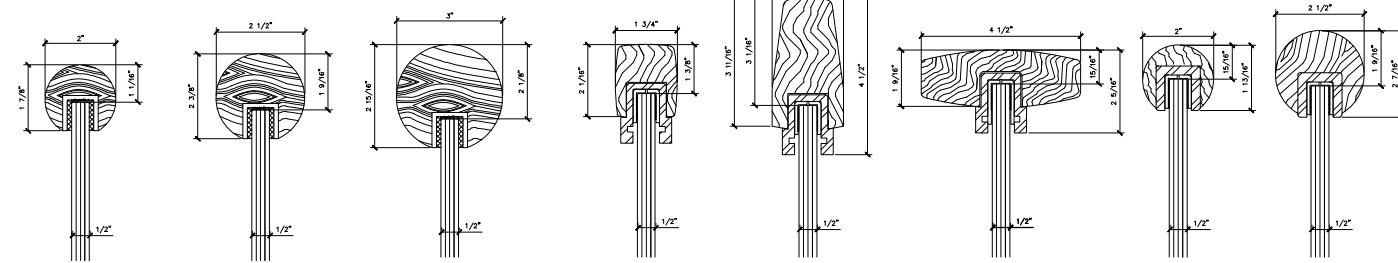
GR19M CAP RAIL 1.9" DIA FOR 1/2" TO 5/8" GLASS ALUMINUM
 GR25M CAP RAIL 2-1/2" DIA FOR 1/2" TO 5/8" GLASS ALUMINUM
 GR30M CAP RAIL 3" DIA FOR 1/2" TO 5/8" GLASS ALUMINUM
 GR35M CAP RAIL 3-1/2" DIA FOR 1/2" TO 5/8" GLASS ALUMINUM
 GROV4M CAP RAIL 4" X 2-1/2" OVAL FOR 1/2" TO 5/8" GLASS ALUMINUM

BLUMCRAFT SOLID ALUMINUM SHAPES FOR 1/2" GLASS



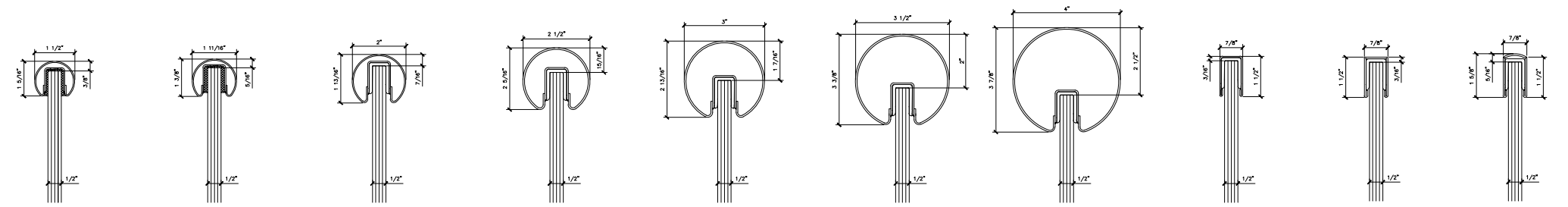
337 CAP RAIL BLUMCRAFT 2" DIA FOR 1/2" GLASS ALUMINUM
 338 CAP RAIL BLUMCRAFT 2-1/2" DIA FOR 1/2" GLASS ALUMINUM
 339 CAP RAIL 1-3/4" X 3-1/2" PROFILE FOR 1/2" GLASS ALUMINUM
 324 CAP RAIL 1-3/8" X 1-3/8" PROFILE FOR 1/2" GLASS ALUMINUM
 376 CAP RAIL ELLIPTICAL PROFILE FOR 1/2" GLASS ALUMINUM
 398 CAP RAIL 1-5/16" X 4" PROFILE FOR 1/2" GLASS ALUMINUM

WOOD SHAPES FOR 1/2" TO 5/8" GLASS



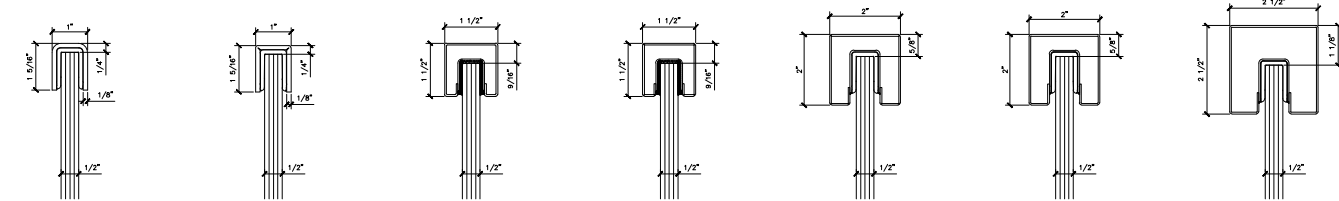
WCR20 CAP RAIL 2" DIA FOR 1/2" TO 5/8" GLASS WOOD
 WCR25 CAP RAIL 2-1/2" DIA FOR 1/2" TO 5/8" GLASS WOOD
 WCR30 CAP RAIL 3" DIA FOR 1/2" TO 5/8" GLASS WOOD
 397 CAP RAIL 2-1/8" X 1-3/4" FOR 1/2" GLASS WOOD
 372 CAP RAIL 3" DIA FOR 1/2" GLASS WOOD
 373 CAP RAIL 1-5/8" X 4-1/2" FOR 1/2" GLASS WOOD
 346 CAP RAIL 2" DIA FOR 1/2" GLASS WOOD
 347 CAP RAIL 2-1/2" DIA FOR 1/2" GLASS WOOD

STAINLESS STEEL SHAPES FOR 1/2" TO 5/8" GLASS



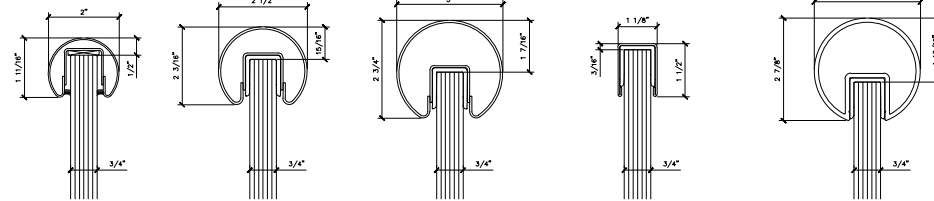
GR15 CAP RAIL 1-1/2" DIA FOR 1/2" TO 5/8" GLASS STAINLESS STEEL
 GR16 CAP RAIL 1.66" DIA FOR 1/2" TO 5/8" GLASS STAINLESS STEEL
 GR20 CAP RAIL 2" DIA FOR 1/2" TO 5/8" GLASS STAINLESS STEEL
 GR25 CAP RAIL 2-1/2" DIA FOR 1/2" TO 5/8" GLASS STAINLESS STEEL
 GR30 CAP RAIL 3" DIA FOR 1/2" TO 5/8" GLASS STAINLESS STEEL
 GR35 CAP RAIL 3-1/2" DIA FOR 1/2" TO 5/8" GLASS STAINLESS STEEL
 GR40 CAP RAIL 4" DIA FOR 1/2" TO 5/8" GLASS STAINLESS STEEL
 GRUC5 CAP RAIL 1-1/2" X 7/8" PROFILE FOR 1/2" TO 5/8" GLASS STAINLESS STEEL
 GRUCF5 CAP RAIL 1-1/2" X 7/8" PROFILE FOR 1/2" TO 5/8" GLASS STAINLESS STEEL
 GRUCR5 CAP RAIL 1-1/2" X 7/8" PROFILE FOR 1/2" TO 5/8" GLASS STAINLESS STEEL

STAINLESS STEEL SHAPES FOR 1/2" TO 5/8" GLASS



GRL10 CAP RAIL 1-5/16" X 1" PROFILE FOR 1/2" TO 5/8" GLASS STAINLESS STEEL
 GRLC10 CAP RAIL 1-5/16" X 1" PROFILE FOR 1/2" TO 5/8" GLASS STAINLESS STEEL
 GRS15 CAP RAIL 1-1/2" SQUARE PROFILE FOR 1/2" TO 5/8" GLASS STAINLESS STEEL
 GRSC15 CAP RAIL 1-1/2" SQUARE PROFILE FOR 1/2" TO 5/8" GLASS STAINLESS STEEL
 GRSC20 CAP RAIL 2" SQUARE PROFILE FOR 1/2" TO 5/8" GLASS STAINLESS STEEL
 GRS20 CAP RAIL 2" SQUARE PROFILE FOR 1/2" TO 5/8" GLASS STAINLESS STEEL
 GRS25 CAP RAIL 2-1/2" SQUARE PROFILE FOR 1/2" TO 5/8" GLASS STAINLESS STEEL

SHAPES FOR 3/4" GLASS



GR207 CAP RAIL 2" DIA FOR 3/4" GLASS STAINLESS STEEL
 GR257 CAP RAIL 2-1/2" DIA FOR 3/4" GLASS STAINLESS STEEL
 GR307 CAP RAIL 3" DIA FOR 3/4" GLASS STAINLESS STEEL
 GRUC7 CAP RAIL 1-1/2" X 1-1/8" PROFILE FOR 3/4" GLASS STAINLESS STEEL
 GR307M CAP RAIL 3" DIA FOR 3/4" GLASS ALUMINUM

Revisions By:



GRS GLASS RAILING SYSTEM
 WET GLAZED
 DRAWING FILES

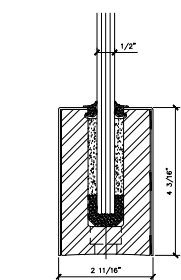
Discipline:

Drawn By: C.H
 Date: 07-13-11
 Scale: as shown
 File Name: GRS11

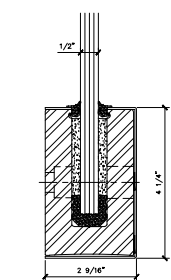
Sheet

SHT-2

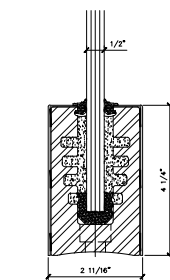
CRL's GRS GLASS RAILING SYSTEM BASE SHOES FOR MONOLITHIC TEMPERED GLASS APPLICATIONS



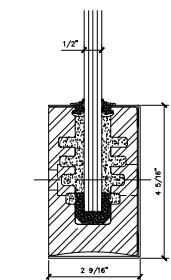
B5S SERIES BASE SHOE
SURFACE MOUNT
FOR 1/2" GLASS
TAPERLOC TLSX10 COMPATIBLE



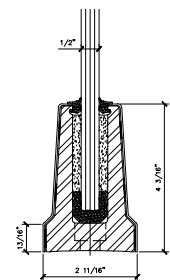
B5S SERIES BASE SHOE
FACISA MOUNT
FOR 1/2" GLASS
TAPERLOC TLSX10 COMPATIBLE



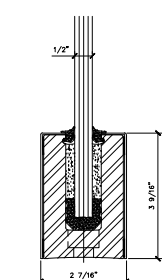
B5A SERIES BASE SHOE
SURFACE MOUNT
FOR 1/2" GLASS
TAPERLOC TLSX10 COMPATIBLE



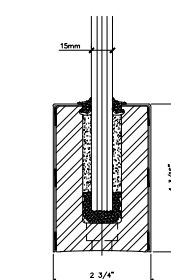
B5A SERIES BASE SHOE
FACISA MOUNT
FOR 1/2" GLASS
TAPERLOC TLSX10 COMPATIBLE



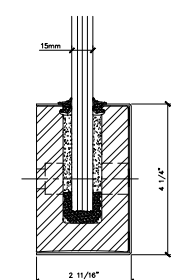
B5T SERIES BASE SHOE
SURFACE MOUNT
FOR 1/2" GLASS
TAPERLOC TLSX10 COMPATIBLE



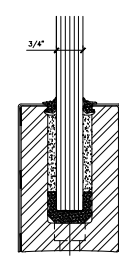
B5L SERIES BASE SHOE
SURFACE MOUNT
FOR 1/2" GLASS
WET GLAZED ONLY



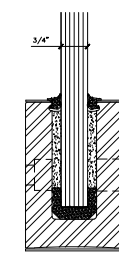
B6S SERIES BASE SHOE
SURFACE MOUNT
FOR 15mm GLASS
TAPERLOC TLSX10 COMPATIBLE



B6S SERIES BASE SHOE
FACISA MOUNT
FOR 15mm GLASS
TAPERLOC TLSX10 COMPATIBLE



B7S SERIES BASE SHOE
SURFACE MOUNT
FOR 3/4" GLASS
TAPERLOC TLSX10 COMPATIBLE



B7S SERIES BASE SHOE
FACISA MOUNT
FOR 3/4" GLASS
TAPERLOC TLSX10 COMPATIBLE

Revisions By:

C.R. LAURENCE CO.
ARCHITECTURAL PRODUCTS
2303 E. Vermont Avenue, Los Angeles, CA 90058-1897
PH: (800) 421-8144, (818) 800-7501
WWW.CRLALUMINUM.COM



Discipline:

GRS GLASS RAILING SYSTEM
WET GLAZED
DRAWING FILES

Drawn By: C.H
Date: 07-13-11
Scale: as shown
File Name: GRS11

Sheet

SHT-3