

C.R. LAURENCE CO., INC.

CRL TPM Series Theft-Proof Mirror Frame Standard Size Installation Instructions

Note mirror size cutting guidelines on opposite page. All CRL TPM Series Theft-Proof Mirror Frame products should have 1/2" (12.7 mm) clearance at the bottom, and 2" (50.8 mm) clearance at the top.

Install Bottom Clips:

- STEP 1 - Remove the release paper from the plastic liners included with Mirror Mounting Clips and position them in the Mirror Mounting Clip channels.
- STEP 2 - Determine the location of the mirror on the surface where the Mirror Frame is to be positioned.
- STEP 3 - Mark the Mirror Frame's bottom left corner.
- STEP 4 - Measure, mark, and drill holes for Bottom Clips as shown on Figure A.
- STEP 5 - Fasten Bottom Clips.

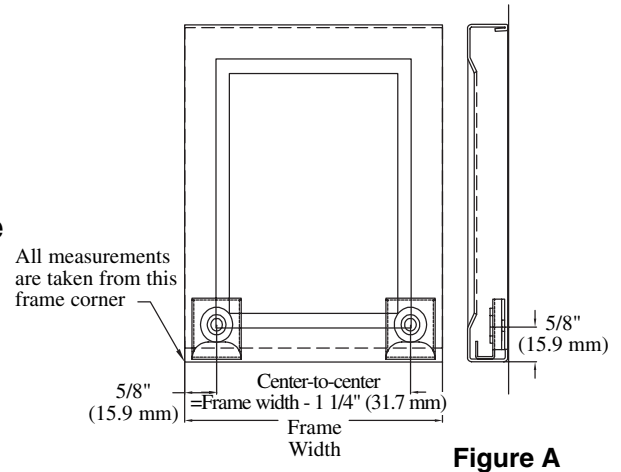


Figure A

Install Top Clips:

- STEP 6 - Position the frame, making certain that the frame is fully inserted, pushing up against the Bottom Clips. Full contact is important.
- STEP 7 - Position the Top Left Clip as shown in Figure B. Make sure there is contact between frame and clip. Do not push clip against frame, just make contact.
- STEP 8 - Mark the hole, remove the frame, drill hole, and then fasten the Top Left Clip.
- STEP 9 - Repeat steps 6 through 8 to mount the Top Right Clip.

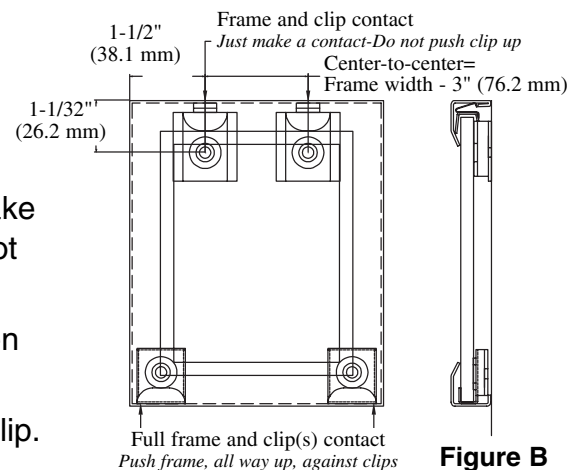


Figure B

Install Mirror and Frame:

- STEP 10 - Position the frame behind Bottom Clips, tilt it, push all the way up, swing toward the wall, and snap top of frame onto Top Clips as shown in Figure C.

To Remove Frame:

- STEP 11 - Insert Clip Release Tool through the holes in the top of the frame and push down while pulling the frame towards you as shown in Figure D.

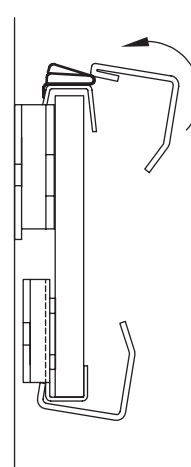


Figure C

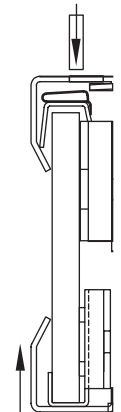


Figure D

C.R. LAURENCE CO., INC.

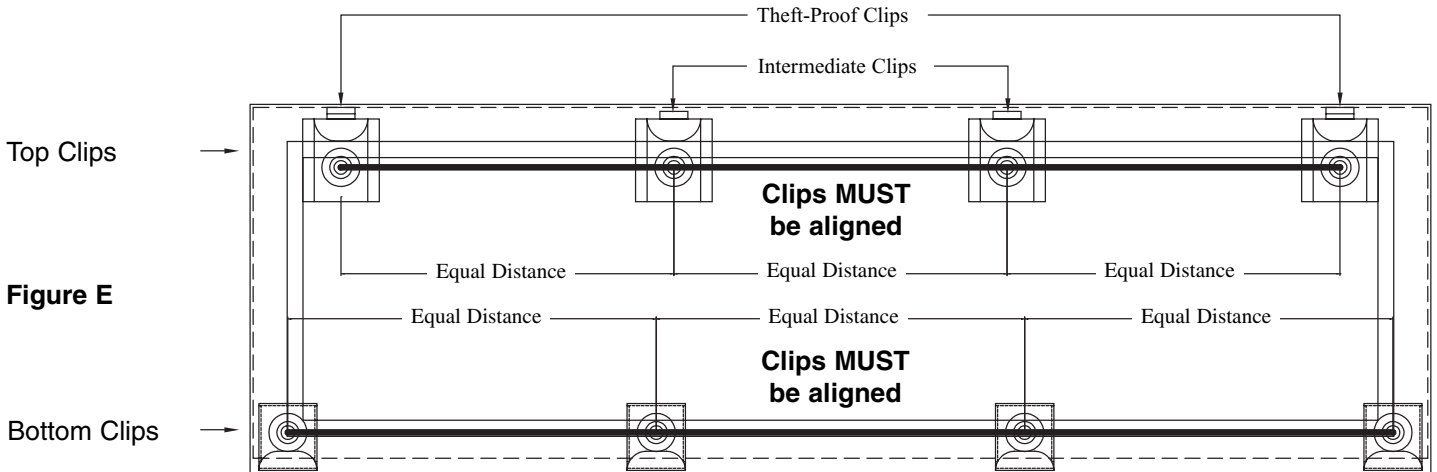
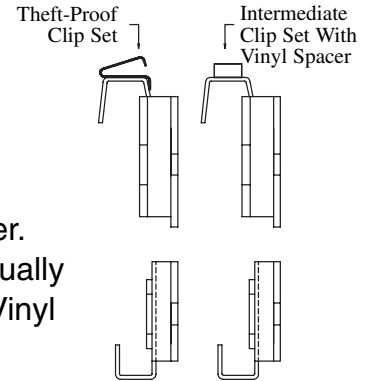
CRL TPM Series Theft-Proof Mirror Frame Custom Oversize Installation Instructions

Note: If mirror weight exceeds 40 pounds (18.1 kg), Intermediate Clips will be provided in addition to the Theft-Proof Clips.

1) When installing custom oversized mirrors follow the procedure for Installation of Bottom Clips and Top Clips on opposite page, then proceed with Intermediate Clip installation as illustrated in Figure E.

2) Note: Intermediate Clips consist of two parts - (1) Clip and (1) Vinyl Spacer. Make sure that Intermediate Clips are aligned with Theft-Proof Clips, and equally spaced. After installing each Intermediate Clip, place strip of supplied clear Vinyl Spacer on top edge of Clip prior to installing Frame.

3) To install frame and remove frame, follow steps 10, 11, and 12 on opposite page.



Mirror Size Cutting Guidelines:

CRL TPM Series Theft-Proof Mirror Frame and Mirror Sizes				
Product Number	Frame Size		Mirror Size	
	Width	Height	Width	Height
TPM1620	16" (406 mm)	20" (508 mm)	15-3/4" (400 mm)	19-7/16" (494 mm)
TPM1622	16" (406 mm)	22" (559 mm)	15-3/4" (400 mm)	21-7/16" (545 mm)
TPM1624	16" (406 mm)	24" (610 mm)	15-3/4" (400 mm)	23-7/16" (595 mm)
TPM1824	18" (457 mm)	24" (610 mm)	17-3/4" (451 mm)	23-7/16" (595 mm)
TPM2424	24" (610 mm)	24" (610 mm)	23-3/4" (603 mm)	23-7/16" (595 mm)
TPM2430	24" (610 mm)	30" (762 mm)	23-3/4" (603 mm)	29-7/16" (748 mm)
TPM2436	24" (610 mm)	36" (914 mm)	23-3/4" (603 mm)	35-7/16" (900 mm)
CUSTOM	Width of frame = Width of mirror + 1/4" (6.3 mm)	Height of frame = Height of mirror + 9/16" (14.3 mm)	Width of mirror = Width of frame - 1/4" (6.3 mm)	Height of mirror = Height of frame - 9/16" (14.3 mm)