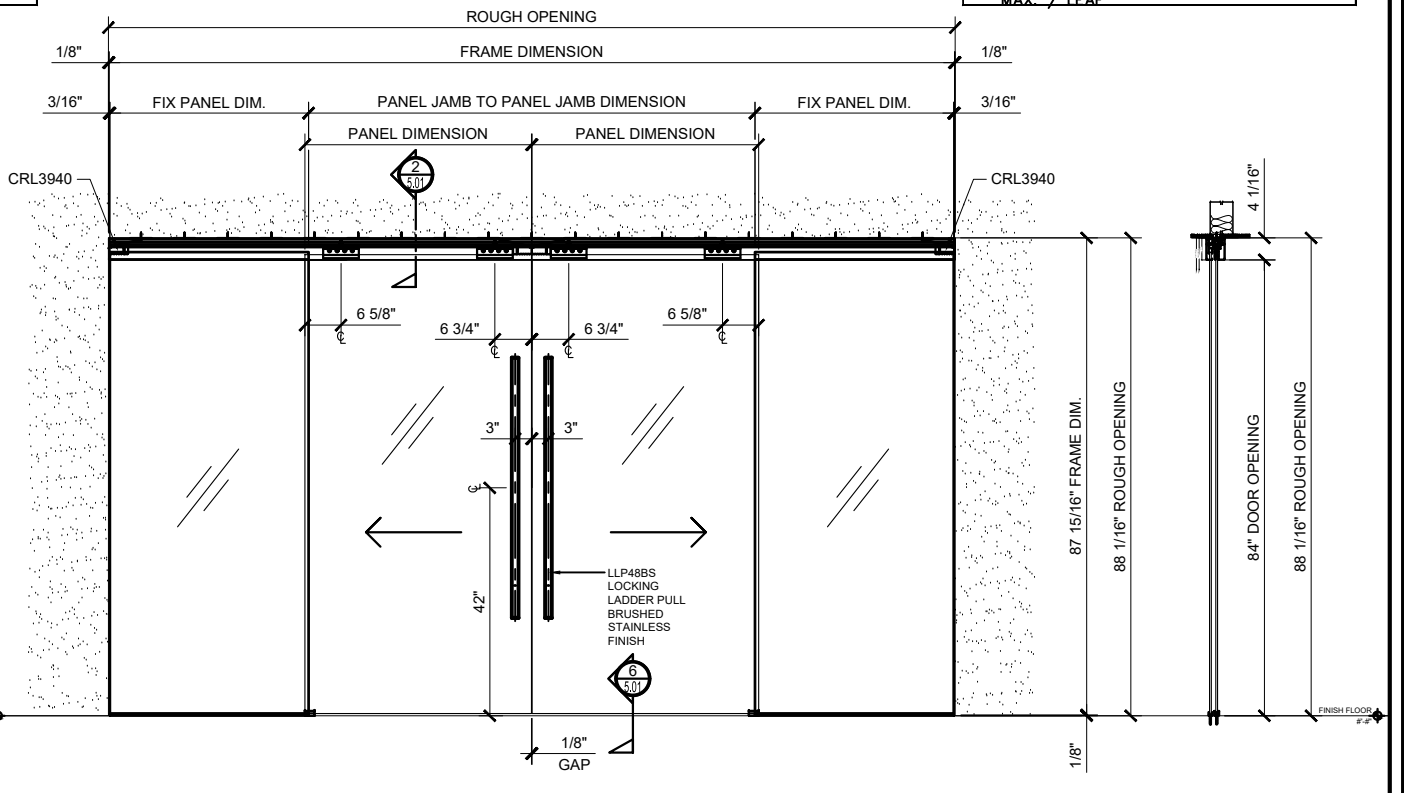
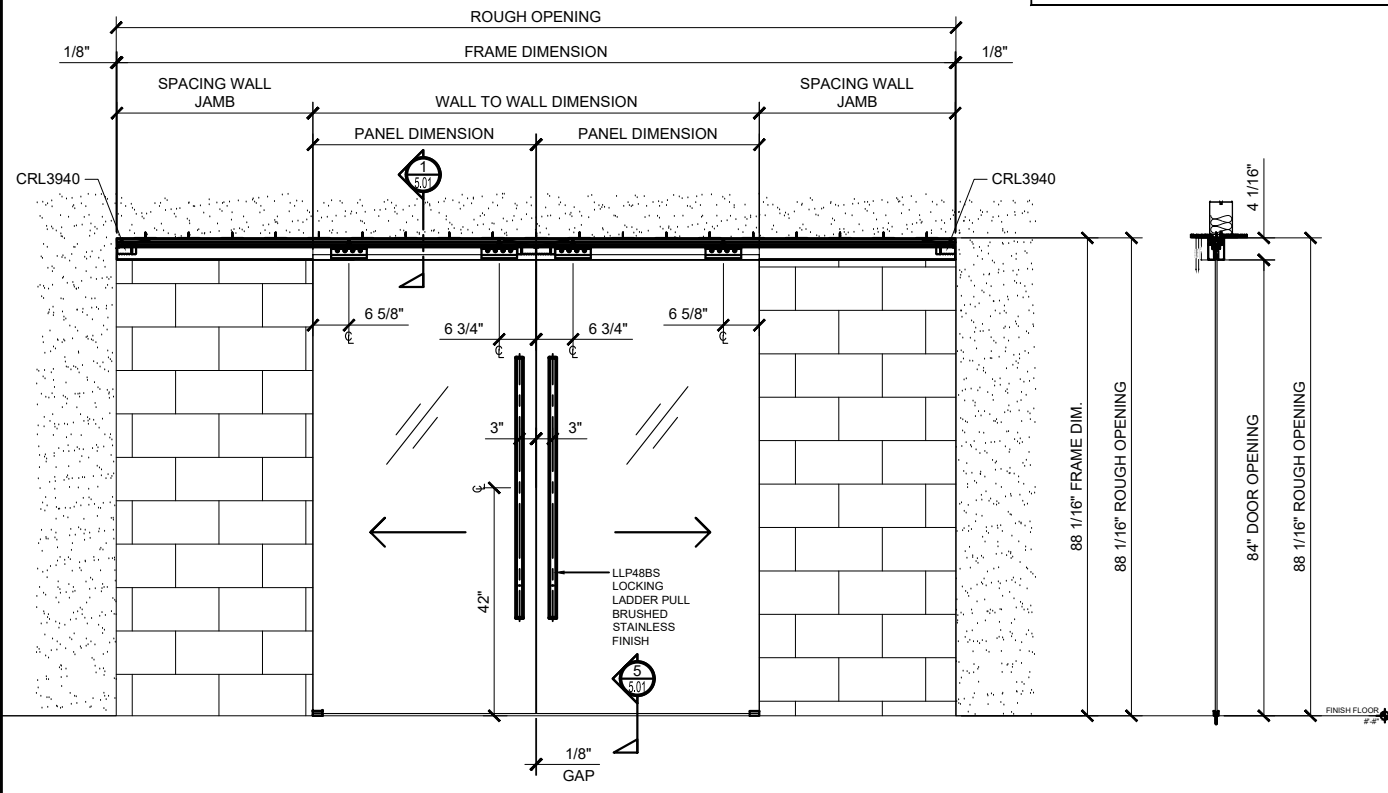


# CRL50 SERIES TOP HUNG SLIDING DOOR SYSTEM

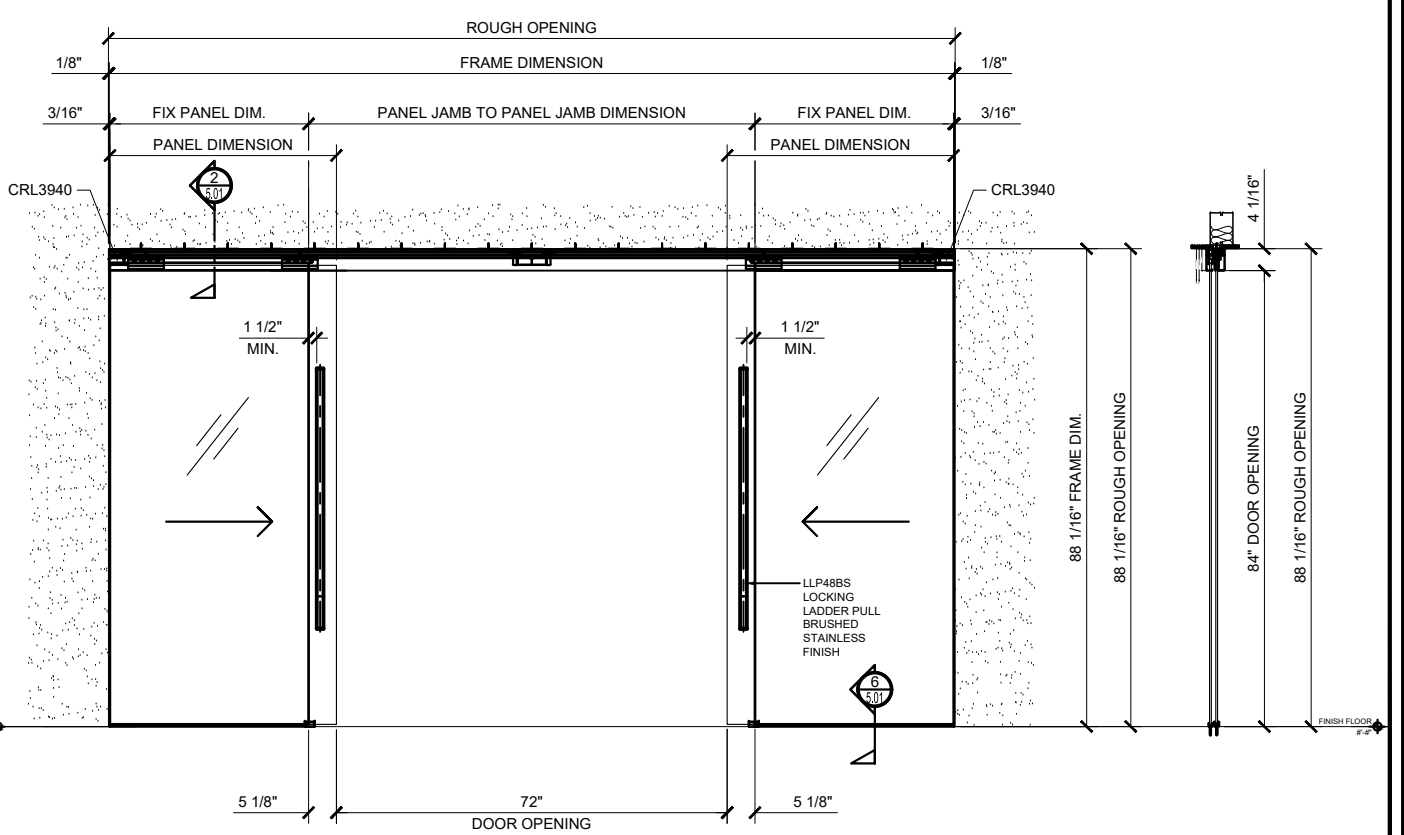
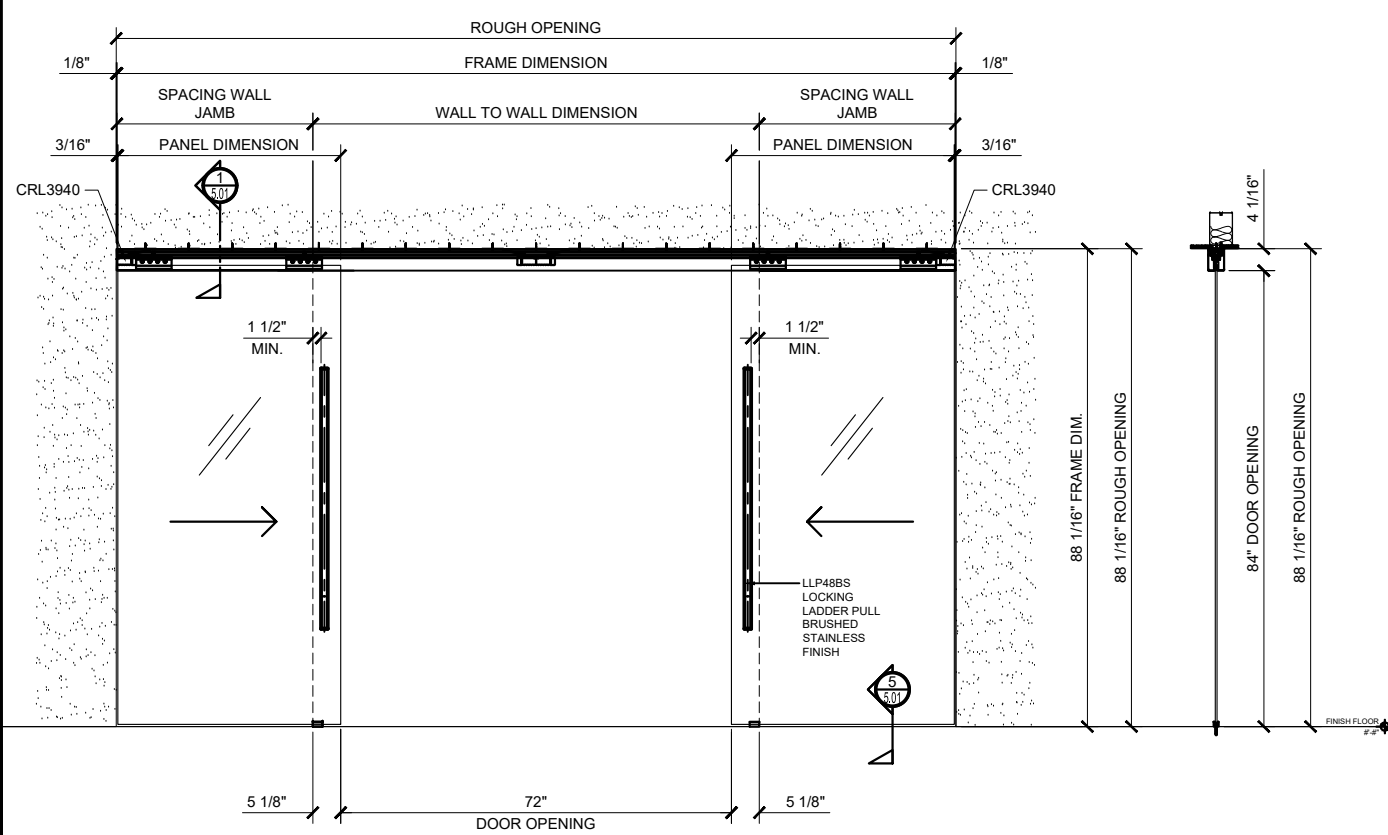
**IMPORTANT NOTE:**  
DIMENSION AND HARDWARE ARE JUST FOR INFORMATION ONLY. DO NOT TAKE ANY MEASUREMENT FROM THIS DRAWING

**STANDARD PANEL (WIDTH & WEIGHT) GUIDELINES**  
 PANEL WEIGHT = 170 lbs (MAX.) / LEAF  
 PANEL WIDTH = 23 1/2" MIN. ~ 47 1/8" MAX. / LEAF



**① CRL 50 CS2 BI-PARTING SYNC. CEILING MOUNT ~ DOOR CLOSED**  
 ARCH REF: NONE 3/4"=1'-0"

**② CRL 502 CS2 BI-PARTING w/ 2 FIXED PANELS SYNC. CEILING MOUNT ~ DOOR CLOSED**  
 ARCH REF: NONE 3/4"=1'-0"



**①A CRL 50 CS2 BI-PARTING SYNC. CEILING MOUNT ~ DOOR OPENED**  
 ARCH REF: NONE 3/4"=1'-0"

**②A CRL 502 CS2 BI-PARTING w/ 2 FIXED PANELS SYNC. CEILING MOUNT ~ DOOR OPENED**  
 ARCH REF: NONE 3/4"=1'-0"

Revisions By:



A CRH COMPANY  
 2503 E. Vernon Avenue, Los Angeles, CA 90058-1897  
 PH (800)-421-6144 FX: 800-587-7501 www.crlaluminum.com

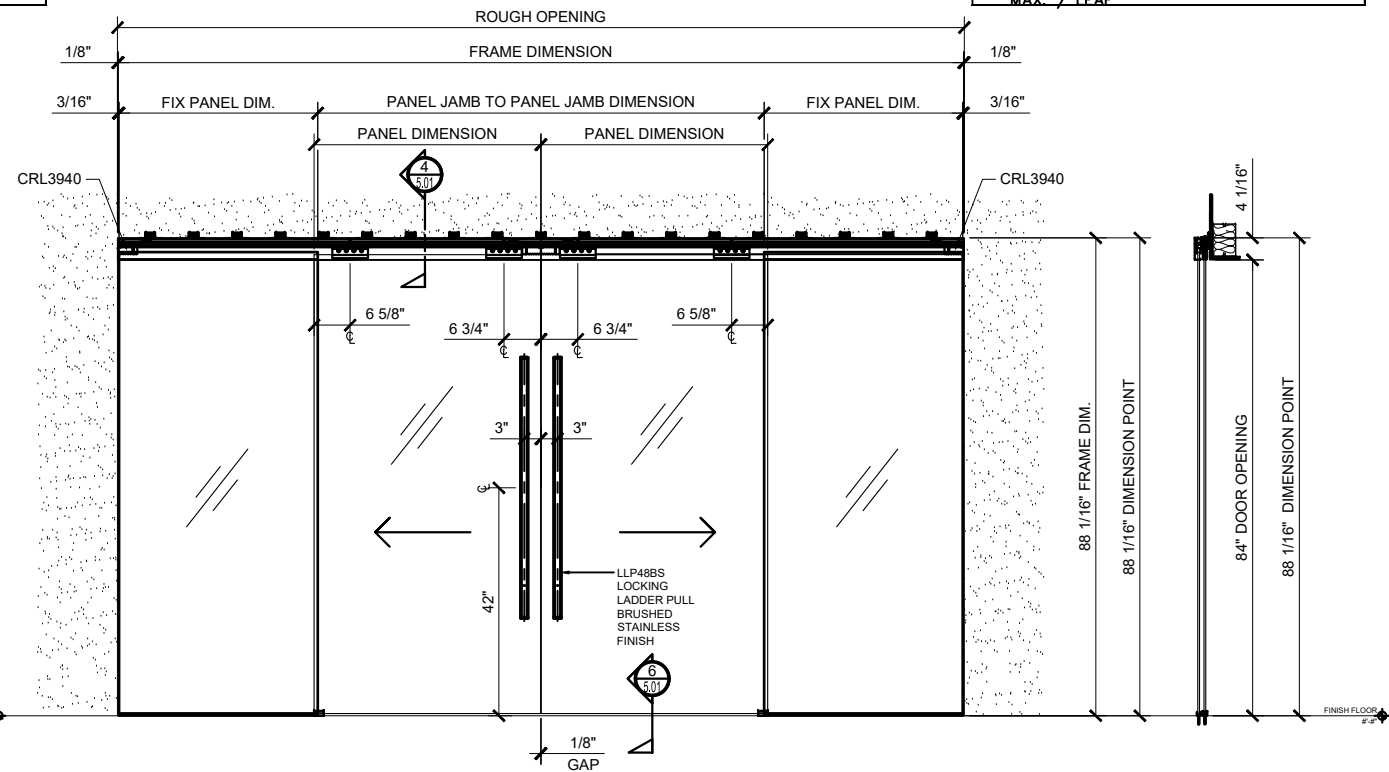
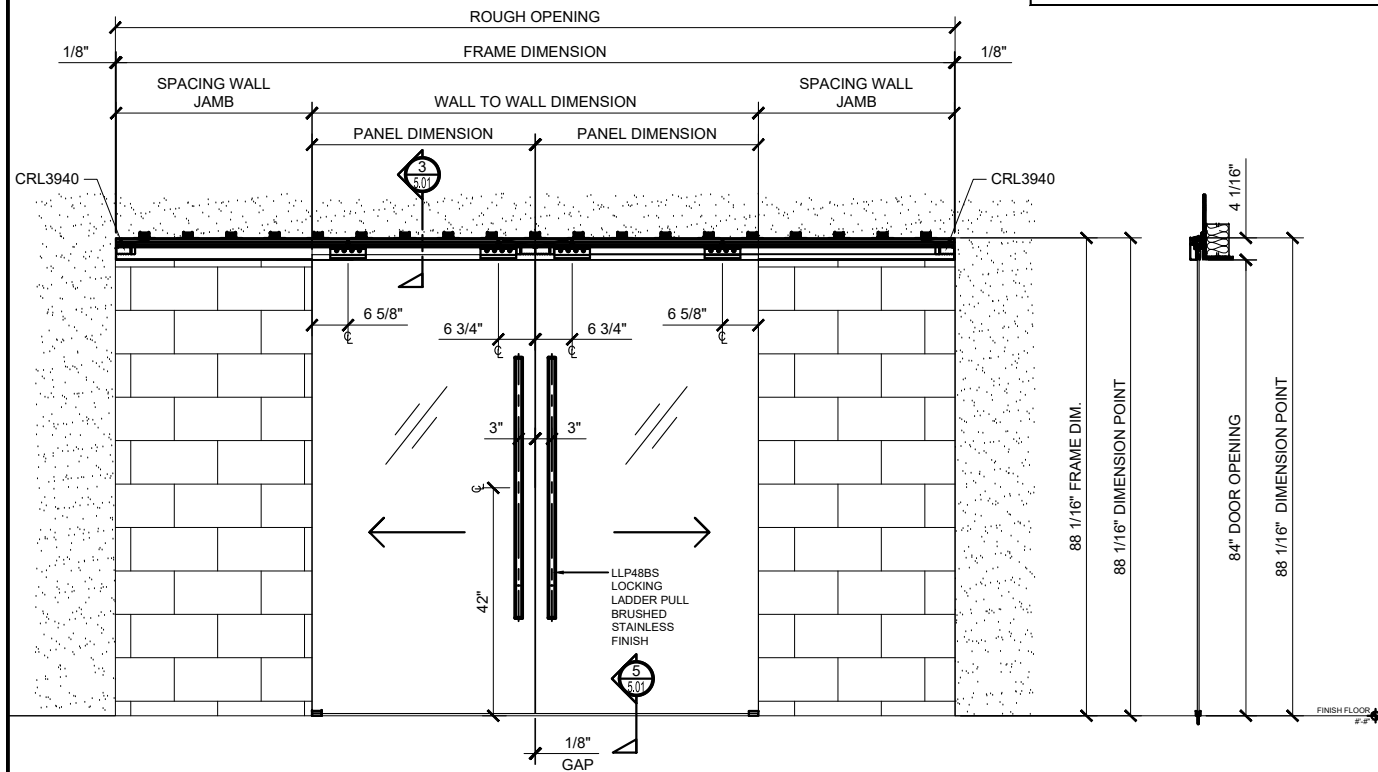
Description:  
 CRL 50 SERIES SLIDER  
 FOR GLASS DOORS  
 5/16" THK. ~ 3/8" THK. GLASS

Drawn By: CRL  
 Date: 02.20.19  
 Scale: AS NOTED  
 File Name: SYS0106A

# CRL50 SERIES TOP HUNG SLIDING DOOR SYSTEM

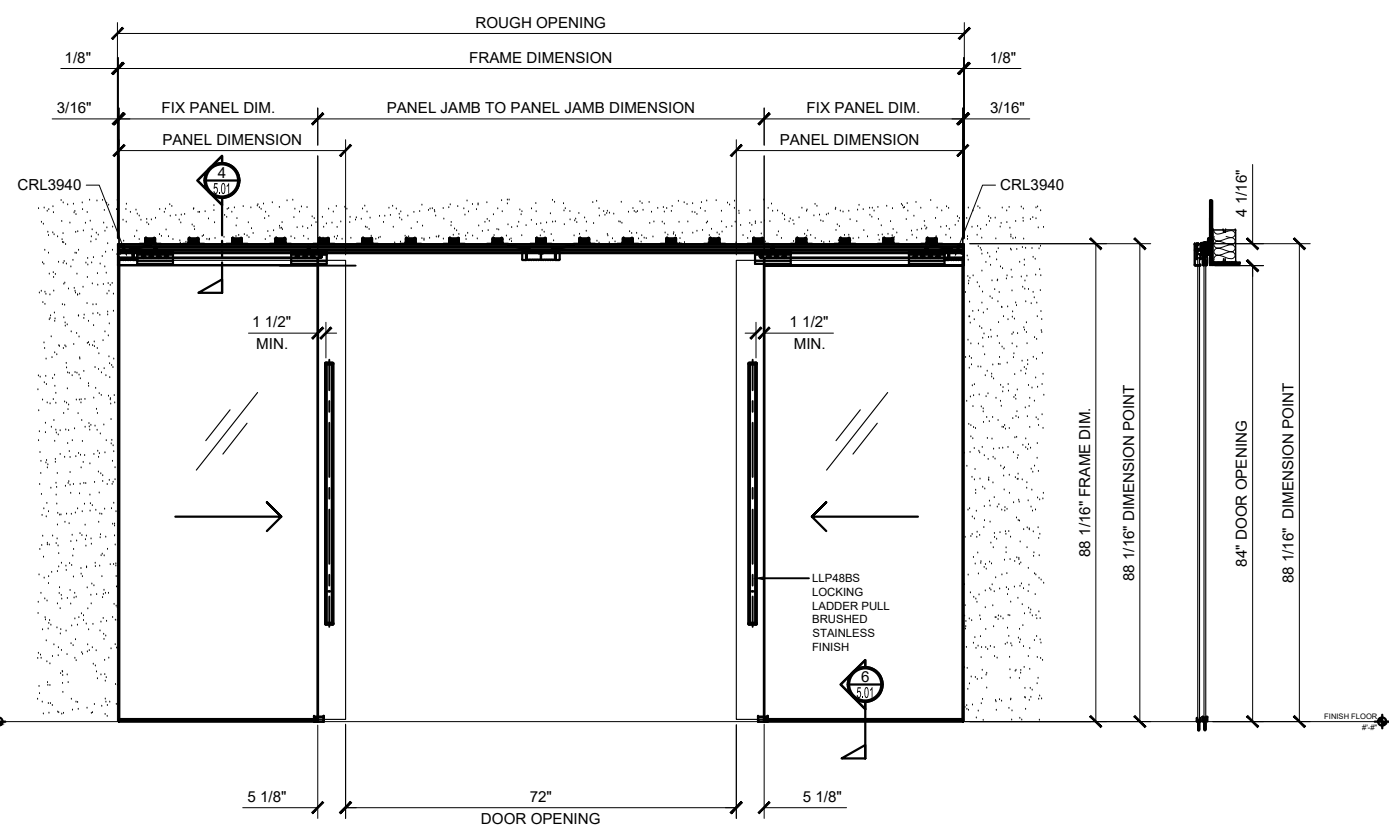
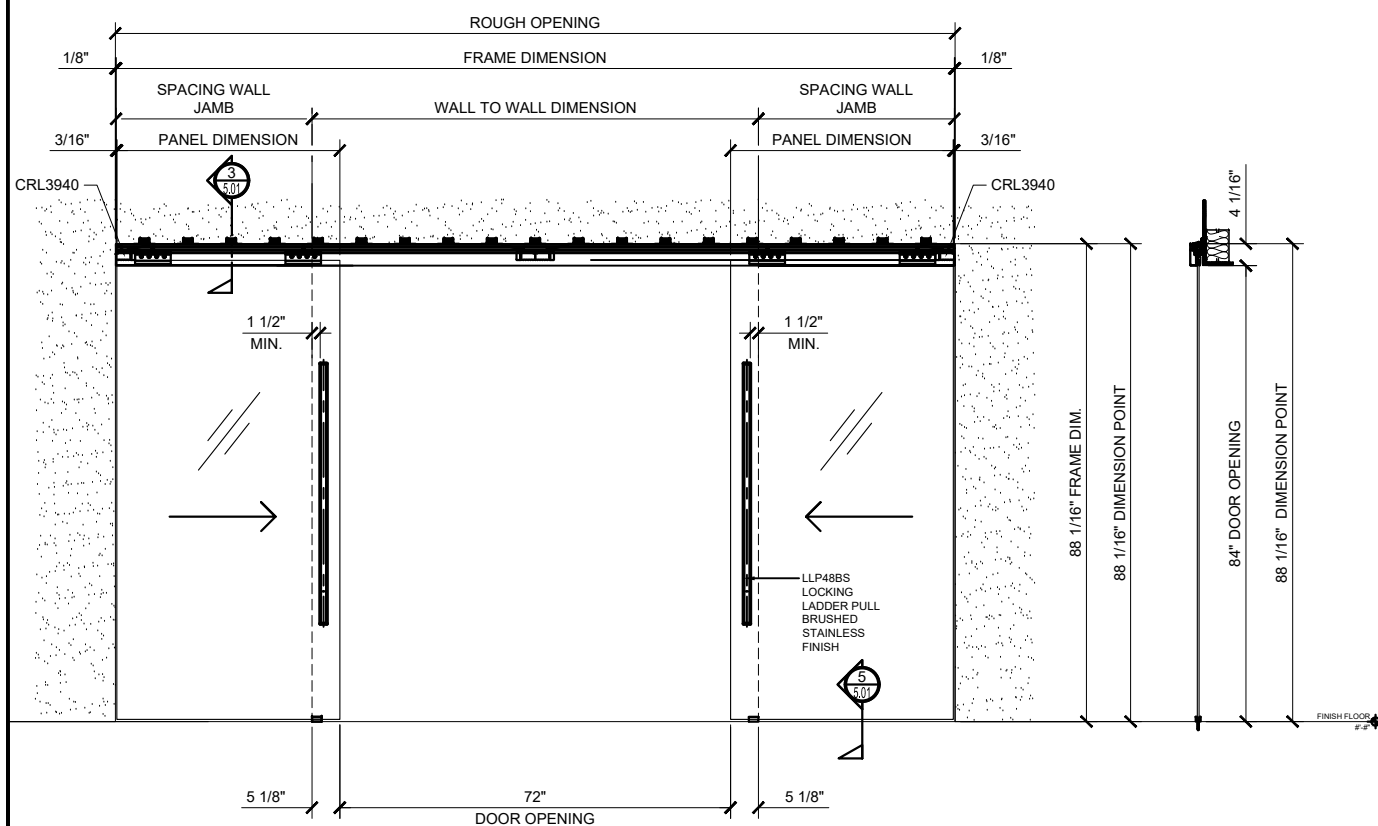
**IMPORTANT NOTE:**  
DIMENSION AND HARDWARE ARE JUST FOR  
INFORMATION ONLY. DO NOT TAKE ANY  
MEASUREMENT FROM THIS DRAWING

**STANDARD PANEL (WIDTH & WEIGHT)  
GUIDELINES**  
PANEL WEIGHT = 170 lbs (MAX.) / LEAF  
PANEL WIDTH = 23 1/2" MIN. ~ 47 1/8"  
" MAX. / LEAF



**① CRL 50 S2 BI-PARTING SYNC. WALL MOUNT ~ DOOR CLOSED**  
ARCH REF: NONE 3/4"=1'-0"

**② CRL 502 S2 BI-PARTING w/ 2 FIXED PANELS SYNC. WALL MOUNT ~ DOOR CLOSED**  
ARCH REF: NONE 3/4"=1'-0"



**①A CRL 50 S2 BI-PARTING SYNC. WALL MOUNT ~ DOOR OPENED**  
ARCH REF: NONE 3/4"=1'-0"

**②A CRL 502 S2 BI-PARTING w/ 2 FIXED PANELS SYNC. WALL MOUNT ~ DOOR OPENED**  
ARCH REF: NONE 3/4"=1'-0"

Revisions By:



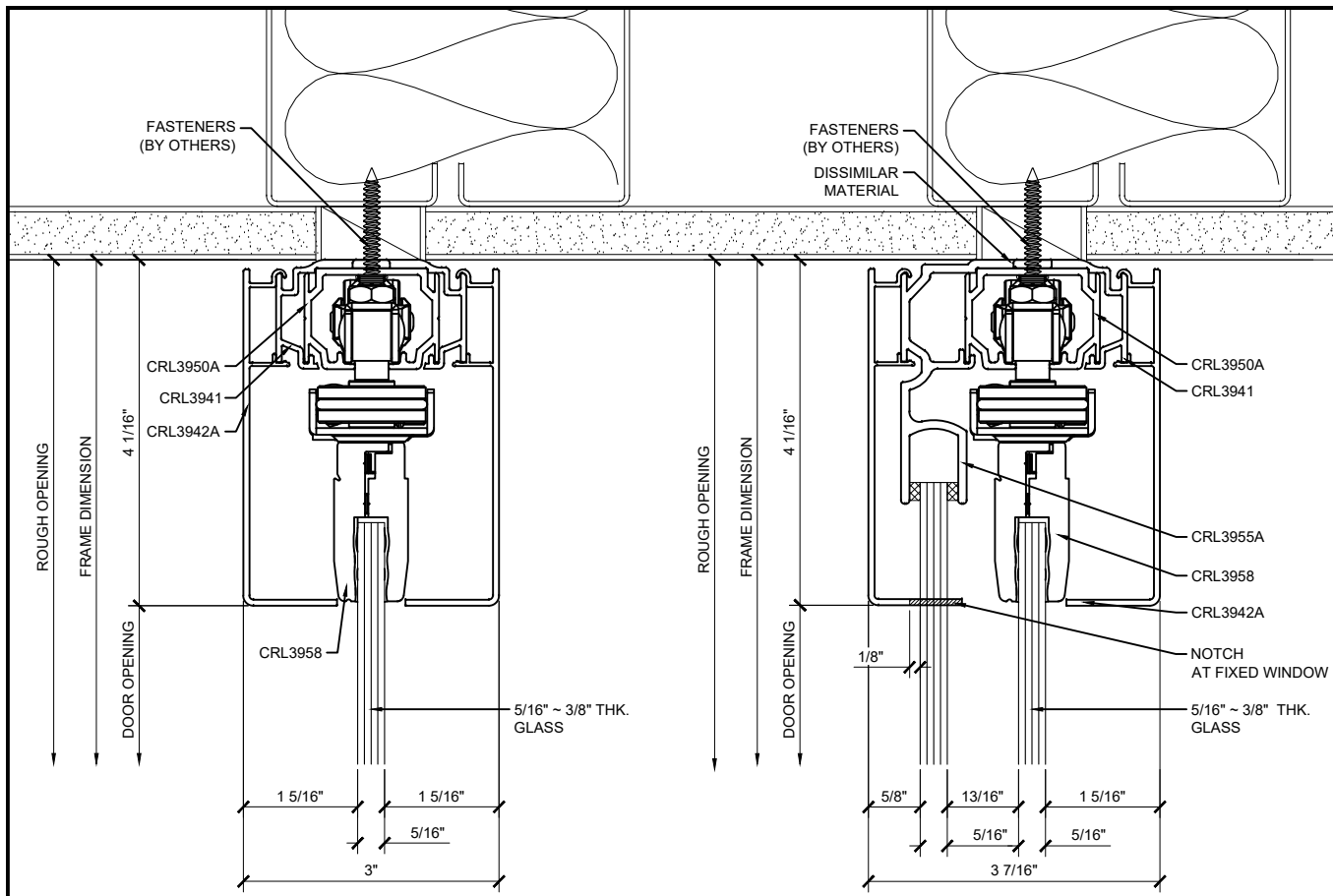
A CRH COMPANY  
2503 E. Vernon Avenue, Los Angeles, CA 90058-1897  
PH (800)-421-6144 FX: 800-587-7501 www.crlaurence.com

Description:  
CRL 50 SERIES SLIDER  
FOR GLASS DOORS  
5/16" THK. ~ 3/8" THK. GLASS

Drawn By: CRL  
Date: 02.20.19  
Scale: AS NOTED  
File Name:  
SYS0106A

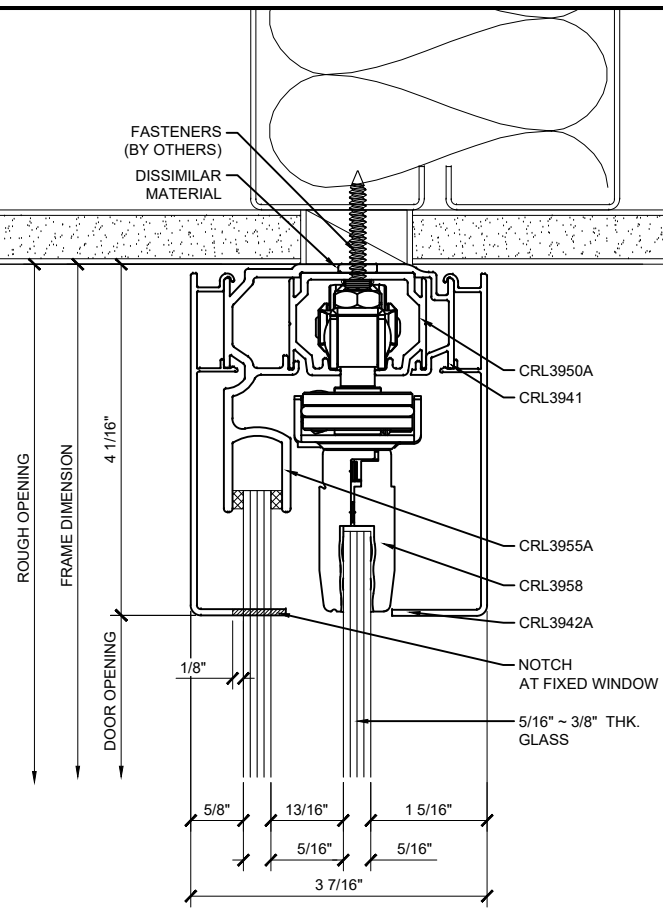
Sheet

2.02



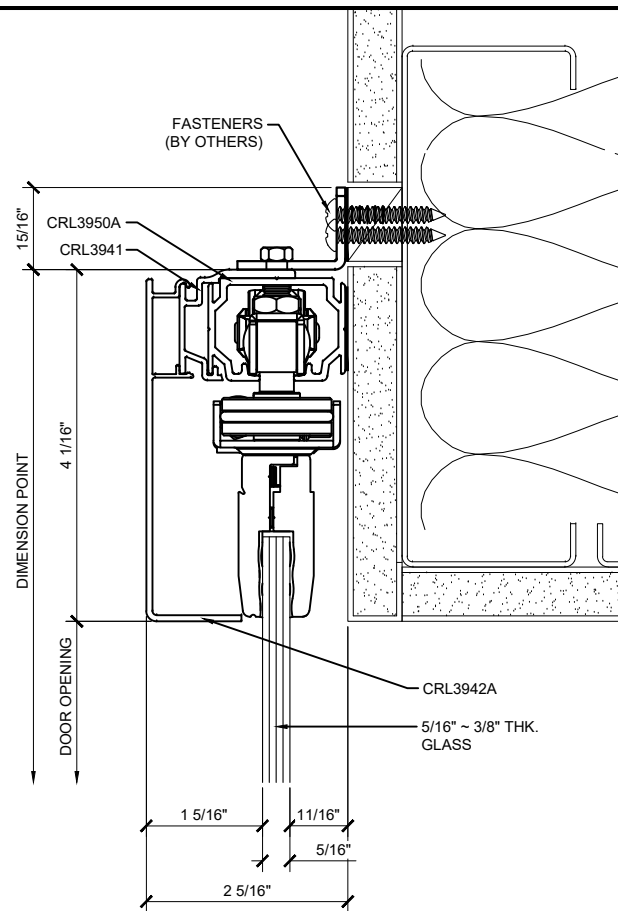
① SECTION DETAIL @ HEAD

ARCH REF: NONE 1'-0"=1'-0"



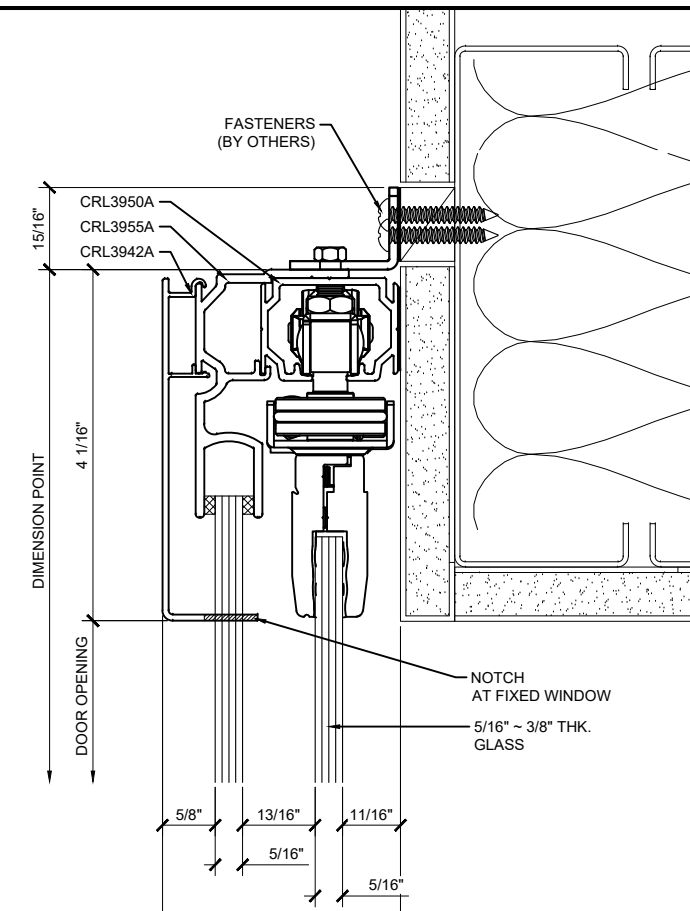
② SECTION DETAIL @ HEAD

ARCH REF: NONE 1'-0"=1'-0"



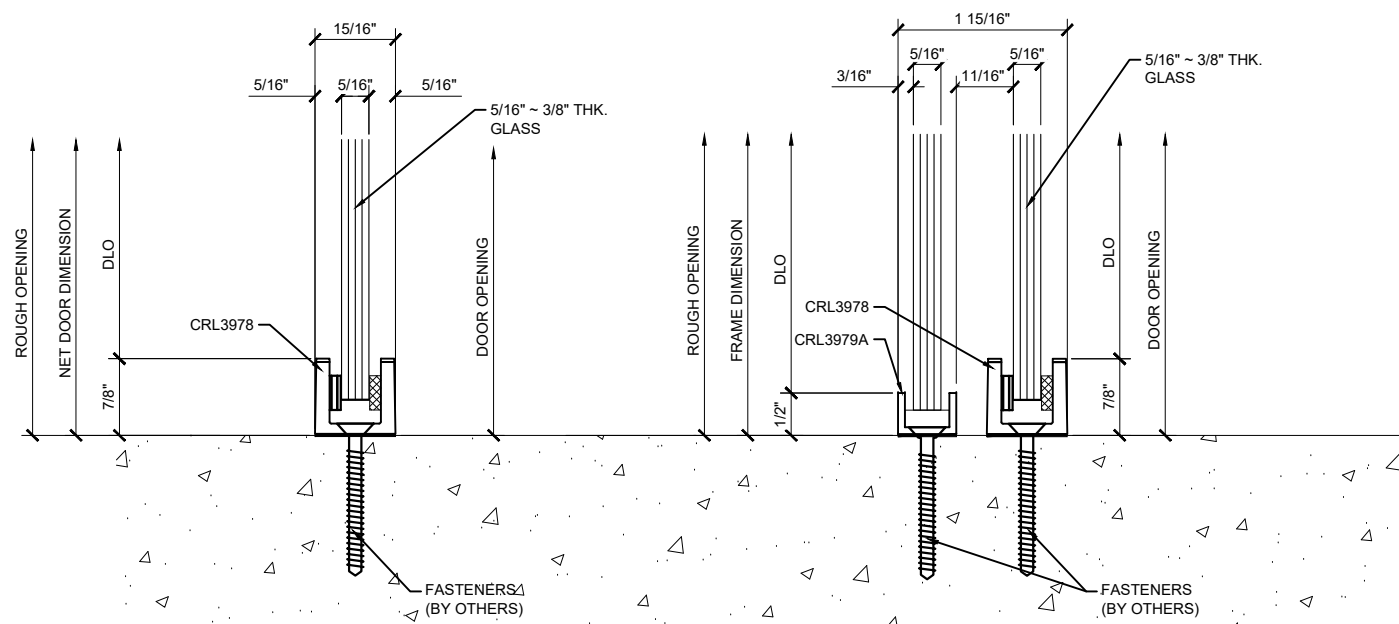
③ SECTION DETAIL @ HEAD

ARCH REF: NONE 1'-0"=1'-0"



④ SECTION DETAIL @ HEAD

ARCH REF: NONE 1'-0"=1'-0"



⑤ SECTION DETAIL @ SILL

ARCH REF: NONE 1'-0"=1'-0"

⑥ SECTION DETAIL @ SILL

ARCH REF: NONE 1'-0"=1'-0"

**STRUCTURAL DISCLAIMER:**

ALL CUSTOMERS WHO IN ANY WAY UTILIZE THIS PRODUCT ARE SOLELY RESPONSIBLE TO CONSULT A STRUCTURAL ENGINEER TO DETERMINE THE SUITABILITY OF THE PRODUCT FOR THE INTENDED USE AND SITE CONDITIONS. ALL INSTALLERS MUST BE QUALIFIED AND HAVE PROFESSIONAL KNOWLEDGE ABOUT COMPLIANCE WITH LOCAL, STATE AND FEDERAL REGULATIONS, SAFETY FACTORS, AND THE APPROPRIATE CHOICE OF FIXING MATERIAL AND PROCEDURES.

Revisions By:



A CRH COMPANY  
2503 E. Vernon Avenue, Los Angeles, CA 90058-1897  
PH (800)-421-6144 FX: 800-587-7501 www.crlaluminum.com

Description:  
CRL 50 SERIES SLIDER  
FOR GLASS DOORS  
5/16" THK. ~ 3/8" THK. GLASS

Drawn By: CRL  
Date: 02.20.19  
Scale: AS NOTED  
File Name: SYS0106A

Sheet

5.01