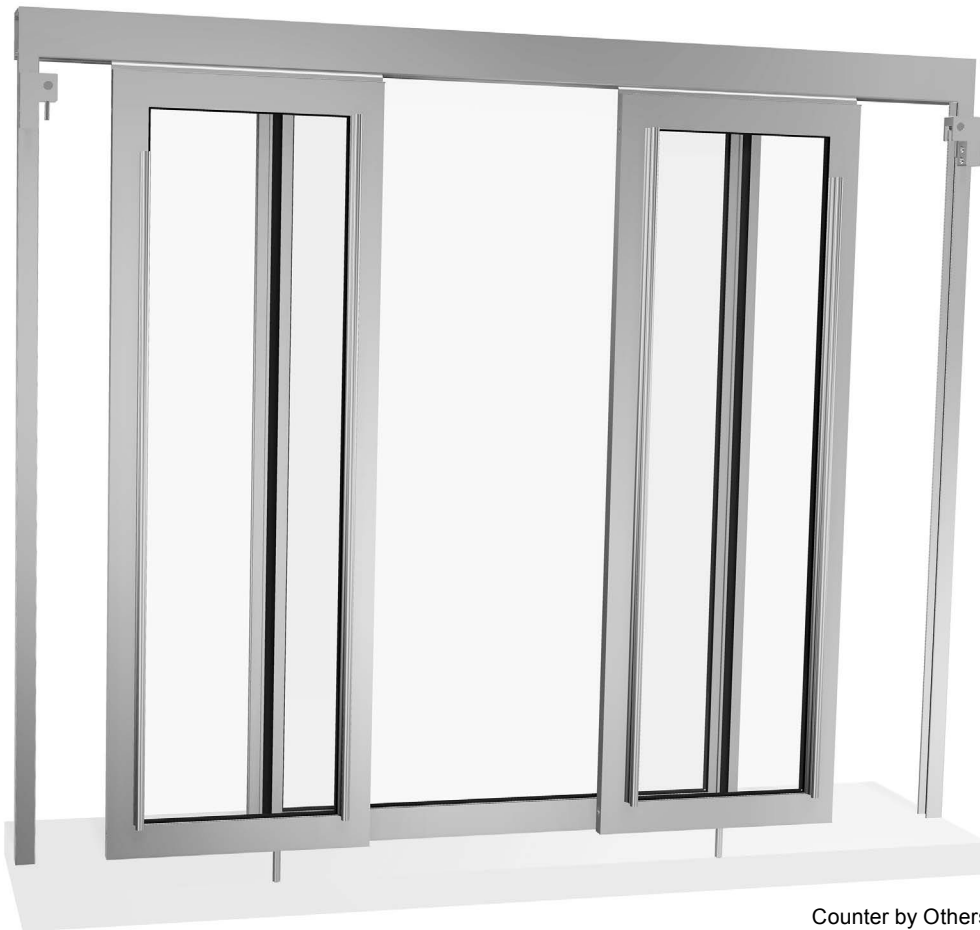


# INSTALLATION INSTRUCTIONS

MODELS D1027 AND D1028

## FAWN MODEL PASS-THRU



Counter by Others



---

2503 E. Vernon Avenue, Los Angeles, CA 90058-1826  
Phone: (800) 421-6144 EXT. 7760 Fax: (800) 458-7496  
crlaurence.com Email: [transaction@crlaurence.com](mailto:transaction@crlaurence.com)

---

11M0270

# ORDER OF ASSEMBLY AND INSTALLATION

|   |        |
|---|--------|
| SPECIFICATIONS .....                                      | 2      |
| PARTS LIST .....  | 3      |
| GLASS FABRICATION .....                                   | 4      |
| GLASS PREPARATION .....                                   | 4      |
| SLIDING WINDOW ASSEMBLY .....                             | 5 - 6  |
| Fit Top Rail on Glass and Loosely Attach Side Rails ..... | 5      |
| Loosely Attach Bottom Rail to Side Rails .....            | 5      |
| Square Frames and Secure .....                            | 6      |
| FIXED WINDOW ASSEMBLY .....                               | 7      |
| INSTALLATION .....  | 8 - 11 |
| Install Overhead Track .....                              | 8      |
| Hang Sliding Windows .....                                | 8      |
| Install Retractable Guides .....                          | 9      |
| Install Jambes .....                                      | 9      |
| Install Fixed Window .....                                | 10     |
| Install D53 Catch .....                                   | 11     |
| OPTIONAL KEYED LOCK OPERATION .....                       | 12     |

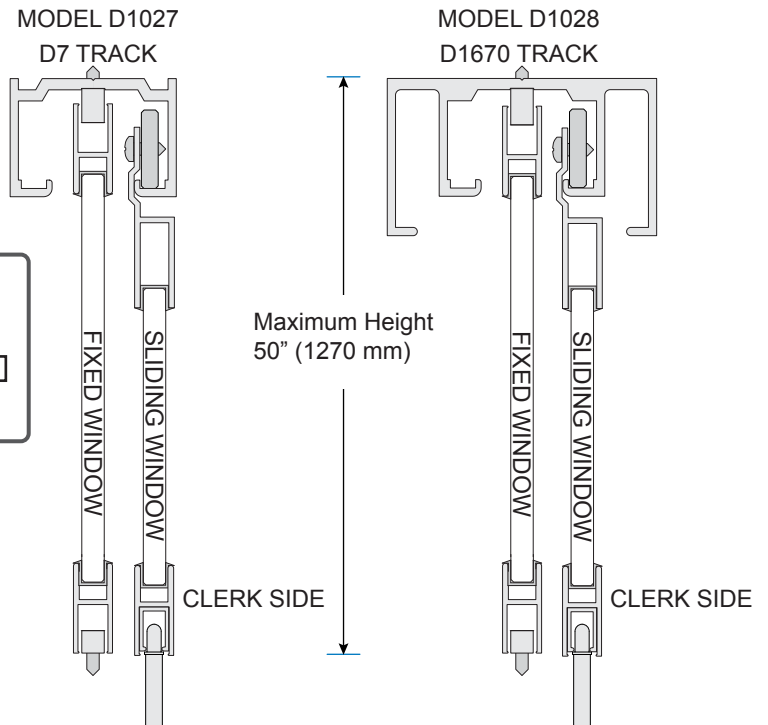
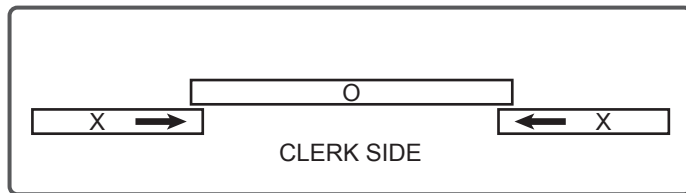
**IMPORTANT: READ THIS MANUAL THOROUGHLY BEFORE BEGINNING INSTALLATION.**

Contact the CRL Transaction Hardware Department at (800) 421-6144 EXT. 7760 or email [transaction@crlaurence.com](mailto:transaction@crlaurence.com) for questions.

## SPECIFICATIONS


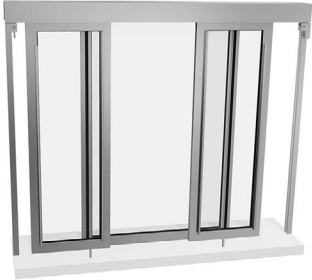
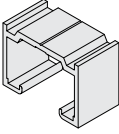
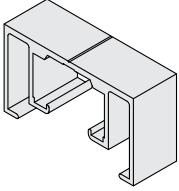
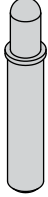
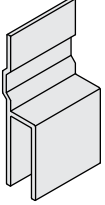
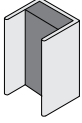
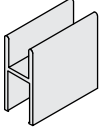
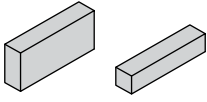
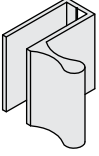
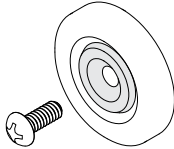
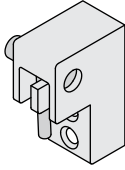
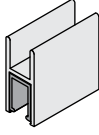
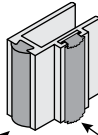
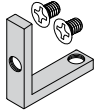
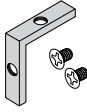
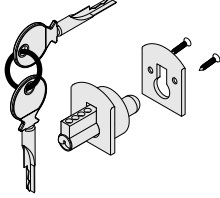

Model D1027 is shown in these instructions.

**NOTE:** Model D1028 is designed to match storefront subframe.



# PARTS LIST

NOTE: Counter by Others

|  |  |   |   |
|--|--|---|---|
| <p><b>D1027</b></p>  <p>Fawn with D7 Overhead Track</p>             |  | <p><b>D1028</b></p>  <p>Fawn with D1670 Overhead Track</p> |   |
| <p><b>D7</b></p>  <p>Overhead Track<br/>(D1027 Models)</p>          | <p><b>D1670</b></p>  <p>Oversized Overhead Track<br/>(D1028 Models)</p> | <p><b>D35</b></p>  <p>Retractable Tip Lower Guide</p>        | <p><b>D40</b></p>  <p>Front Hanger</p>   |
| <p><b>D606</b></p>  <p>Single Jamb with Cushion</p>               | <p><b>D610</b></p>  <p>H-Bar</p>                                      | <p><b>D637</b></p>  <p>Upper Lower<br/>Mill Bar Stock</p> | <p><b>D639</b></p>  <p>Vertical Stile Pull</p>   |
| <p><b>D679</b></p>  <p>Nylon Ball Bearing Roller</p>              | <p><b>D53</b></p>  <p>Reversible Overhead Catch</p>                   | <p><b>D1611</b></p>  <p>H-Bar with Plastic Liner</p>      | <p><b>D1623</b></p>  <p>Gasket Pile Weather Stripping<br/>Overlap Stile with Pile and Gasket</p> |
| <p><b>D658WS</b></p>  <p>Lower Frame Corner with Nylok Screws</p> | <p><b>D662WS</b></p>  <p>Upper Frame Corner with Nylok Screws</p>     |  <p>Optional Keyed Lock</p>                               |  <p>Not Included :<br/>Fasteners for Perimeter Frame</p>   |

## GLASS FABRICATION

Fixed Glass Width = Window Width divided by 2, minus 13/16" (21 mm)

Fixed Glass Height = Window Height minus 2" (51 mm)

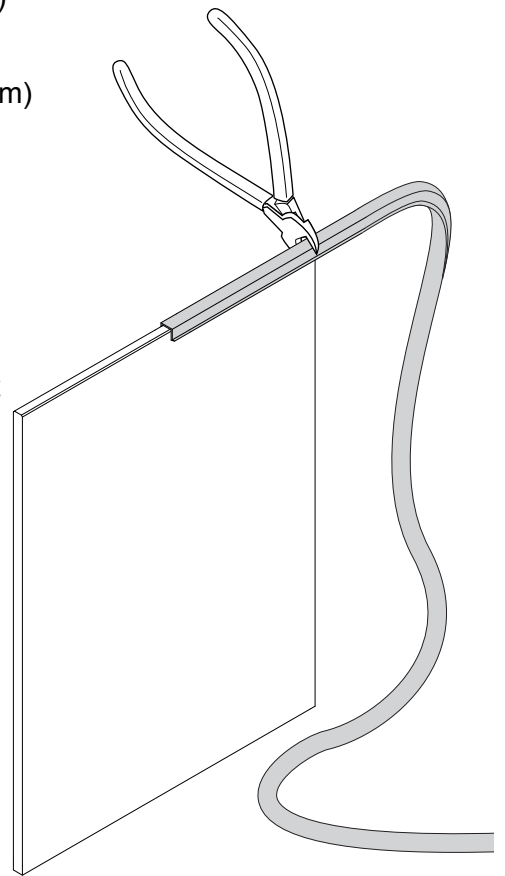
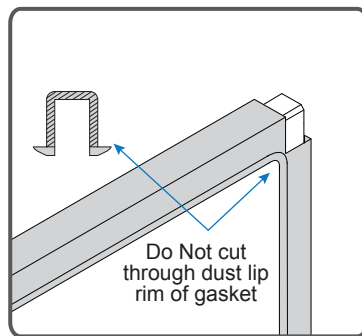
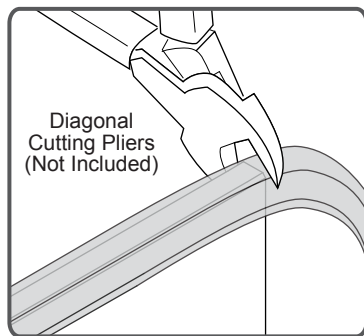
Sliding Glass Width = Window Width divided by 4, minus 1-3/16" (30 mm)

Sliding Glass Height = Window Height minus 3-1/4" (83 mm)

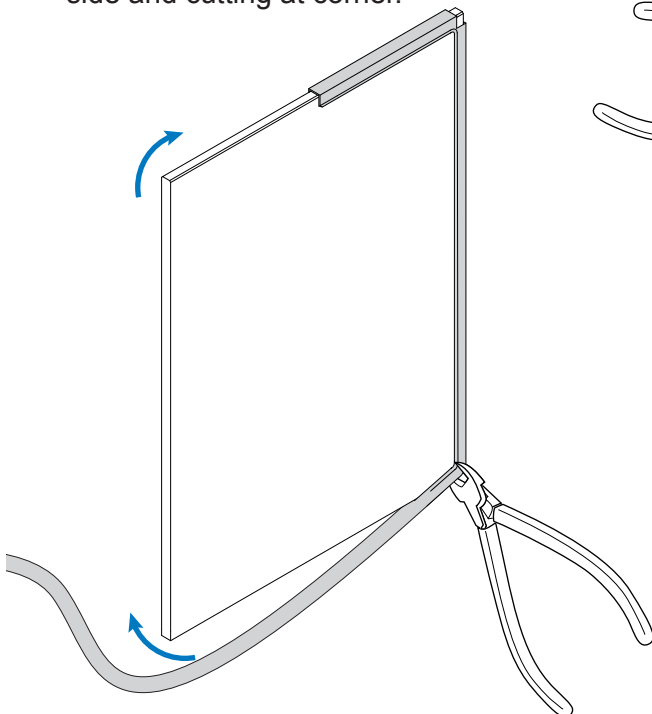
## GLASS PREPARATION

### Install Gasket on Glass

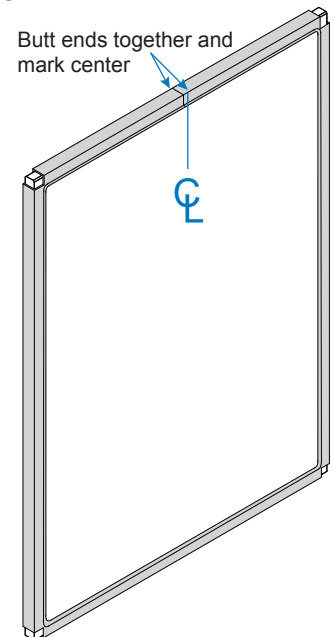
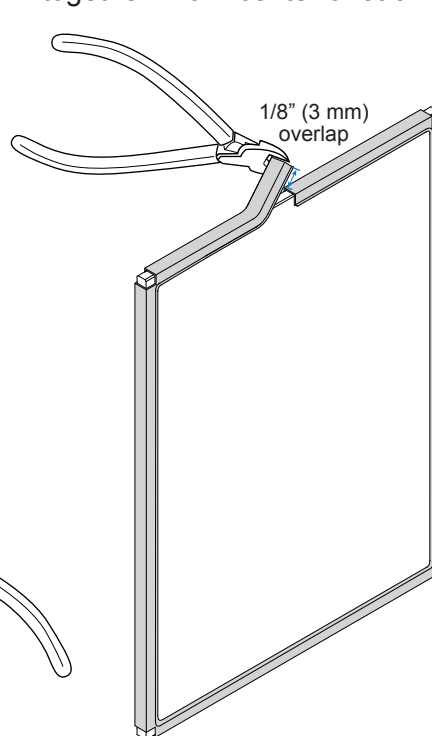
- Ⓐ Fit gasket onto glass at center of the side that will become the top. Smooth to corner and cut a slit through the base of gasket. Do Not cut all the way through to dust lip rims.



- Ⓑ Continue working gasket around edges, smoothing along each side and cutting at corner.



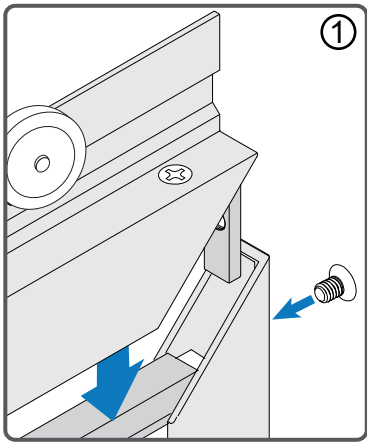
- Ⓒ Overlap ends at top and cut 1/8" (3 mm) excess. Butt ends together. Mark center of each panel.



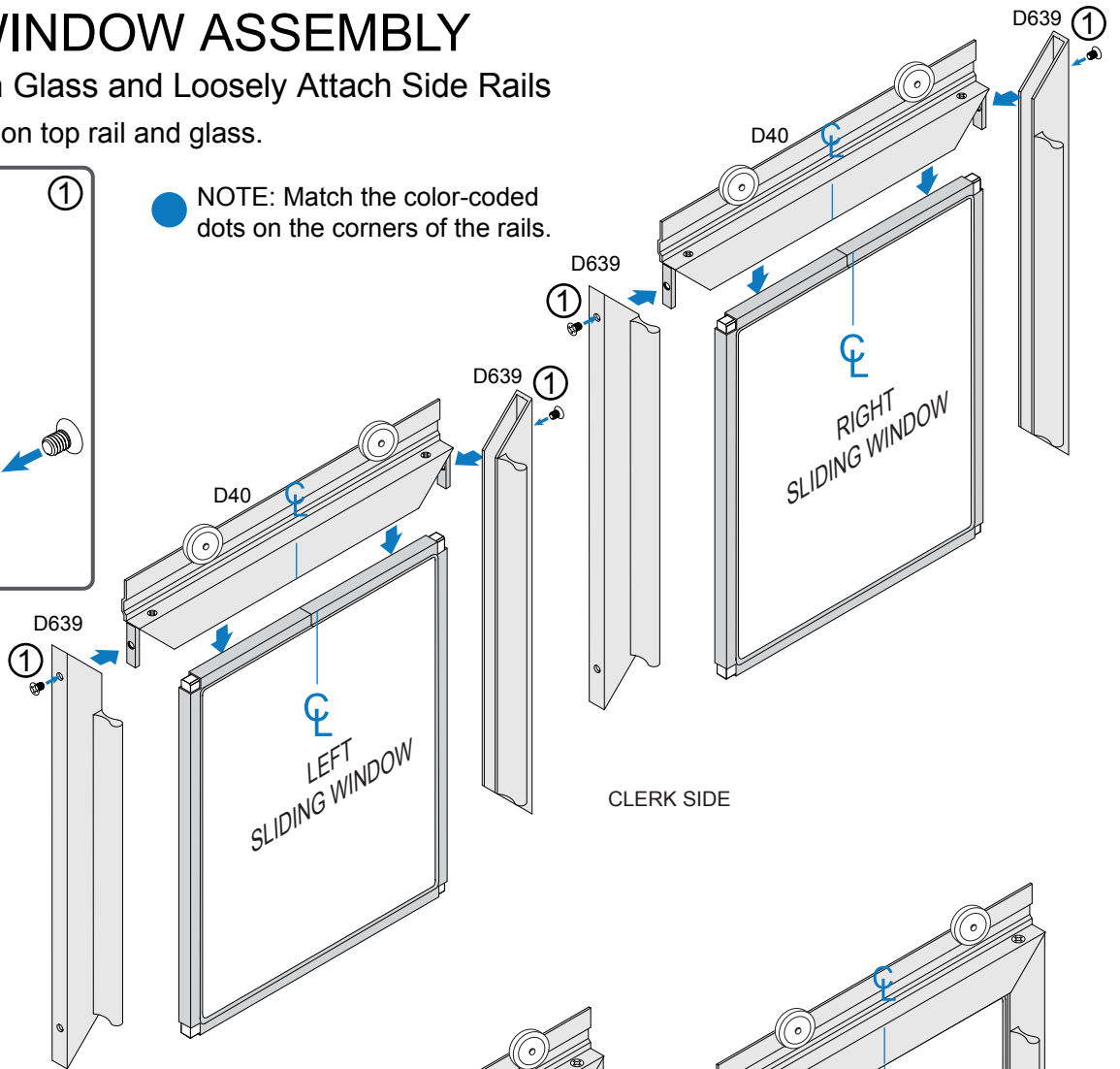
# SLIDING WINDOW ASSEMBLY

## 1. Fit Top Rail on Glass and Loosely Attach Side Rails

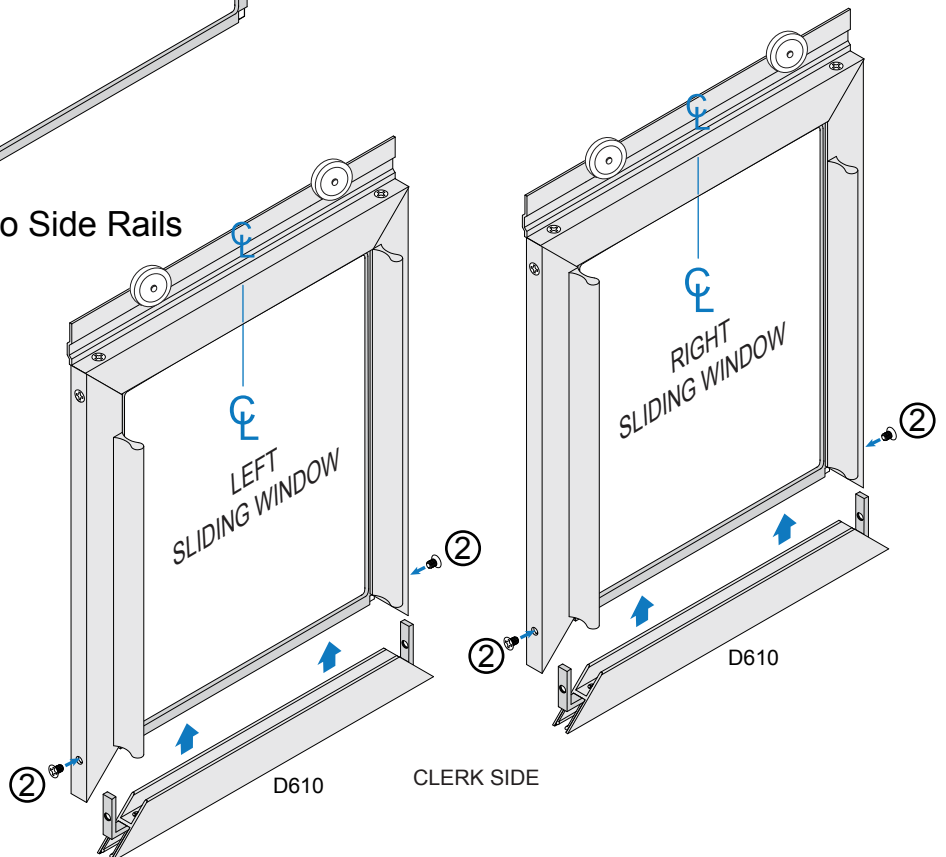
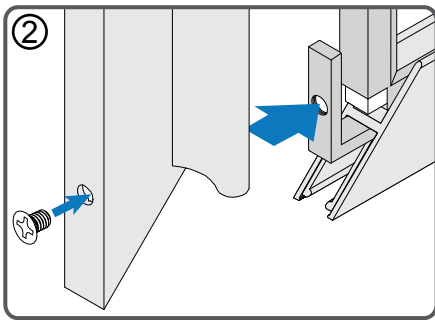
Match center marks on top rail and glass.



NOTE: Match the color-coded dots on the corners of the rails.



## 2. Loosely Attach Bottom Rail to Side Rails



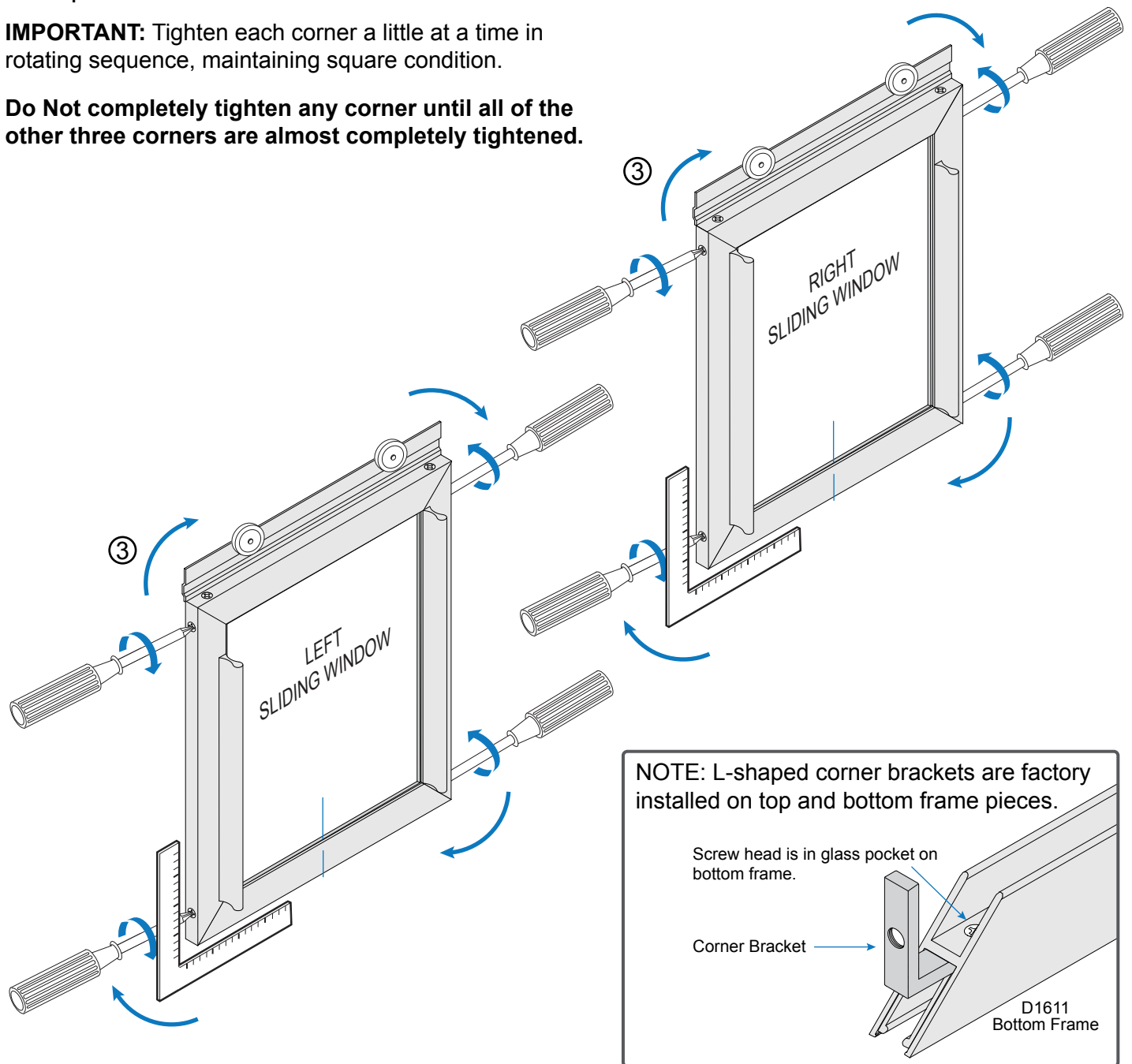
NOTE: Assemble one of each of the sliding windows shown.

## SLIDING WINDOW ASSEMBLY (CONTINUED)

### 3. Square Frames and Secure

**IMPORTANT:** Tighten each corner a little at a time in rotating sequence, maintaining square condition.

**Do Not completely tighten any corner until all of the other three corners are almost completely tightened.**

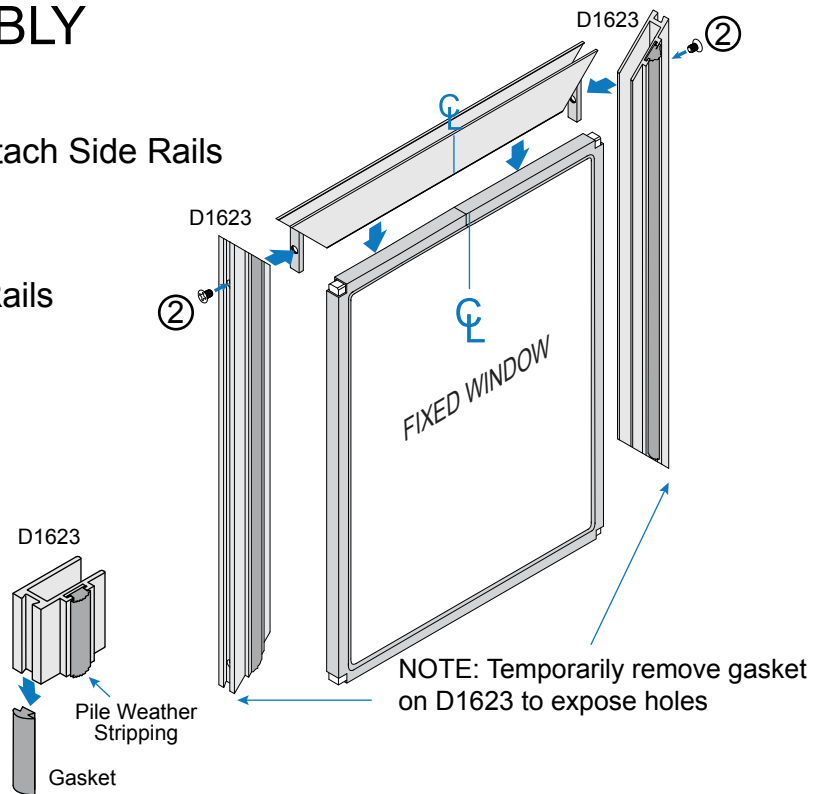
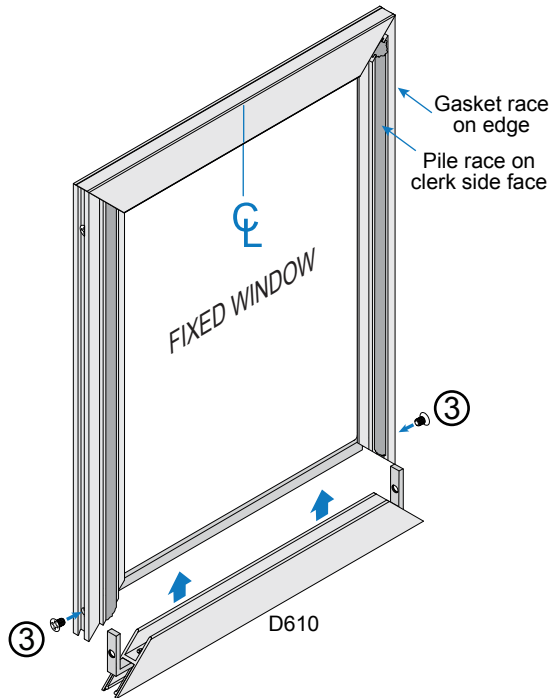


# FIXED WINDOW ASSEMBLY

1. Install Gasket on Glass (See Page 4)
2. Fit Top Rail on Glass and Loosely Attach Side Rails

● NOTE: Match the color-coded dots on the corners of the rails.

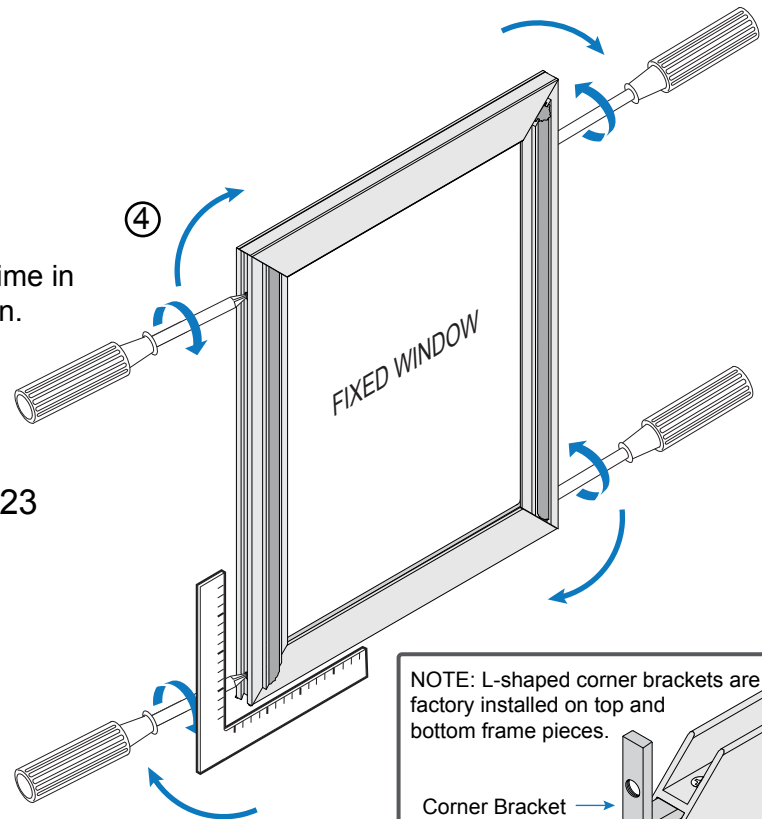
3. Loosely Attach Bottom Rail to Side Rails



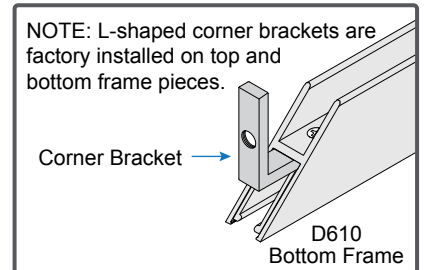
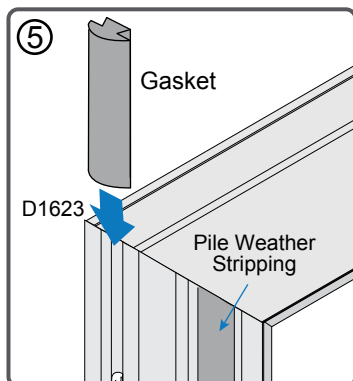
4. Square Frames and Secure

**IMPORTANT:** Tighten each corner a little at a time in rotating sequence, maintaining square condition.

**Do Not completely tighten any corner until all of the other three corners are almost completely tightened.**



5. Replace Gasket in outer edge of D1623



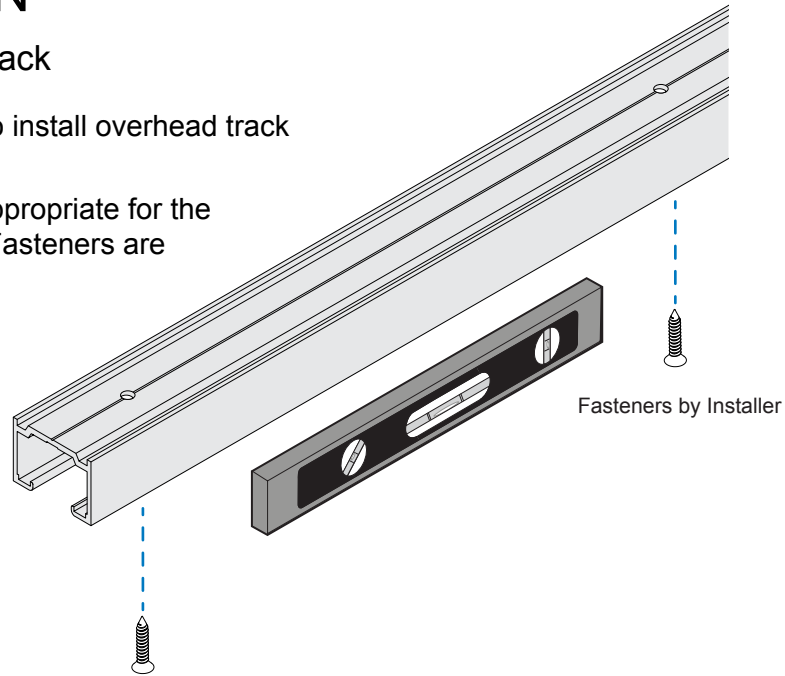
NOTE: Assemble one fixed window.

# INSTALLATION

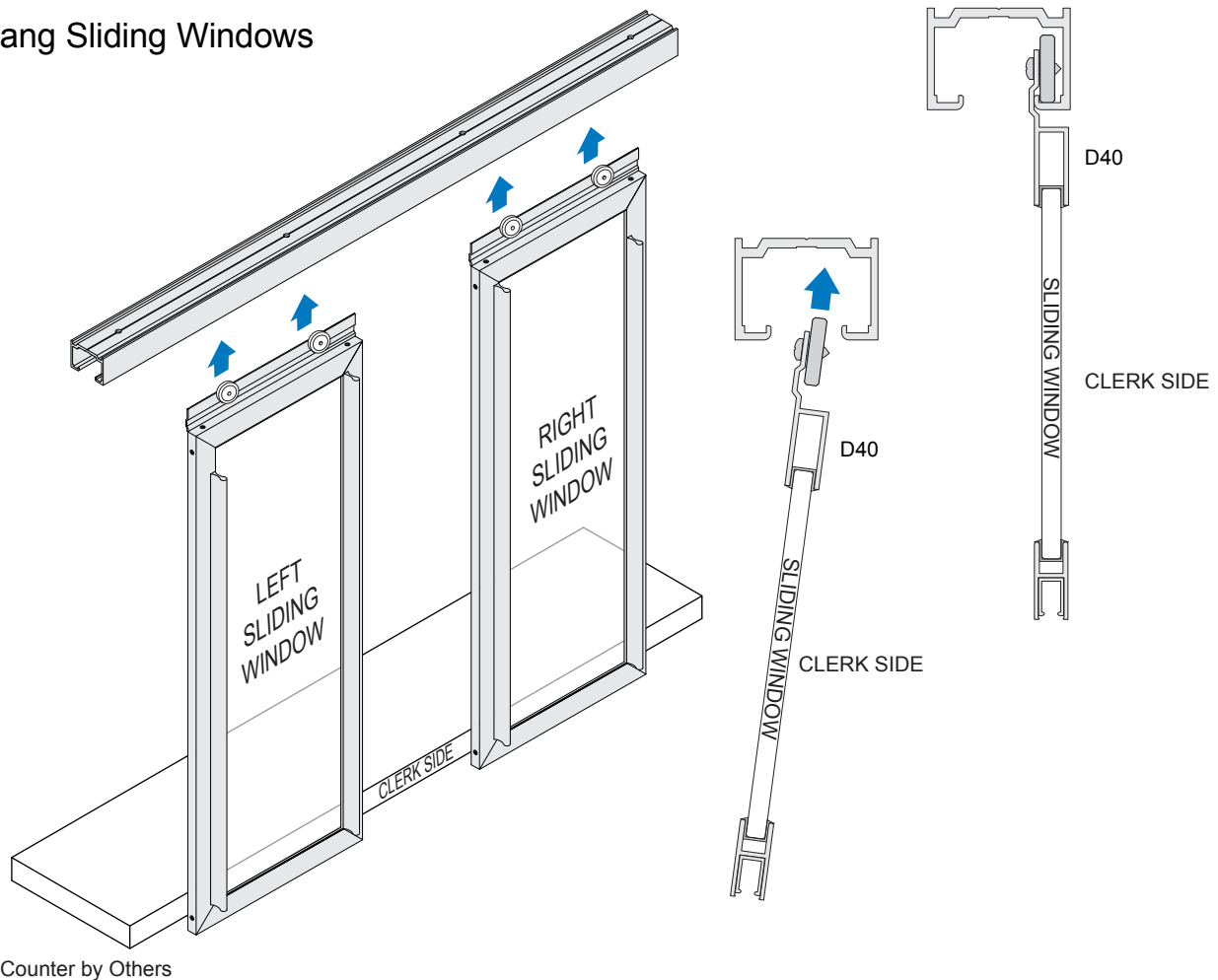
## 1. Install Overhead Track

Use a level and shims to install overhead track correctly in opening.

NOTE: Use fasteners appropriate for the surrounding substrate. Fasteners are not included in kit.



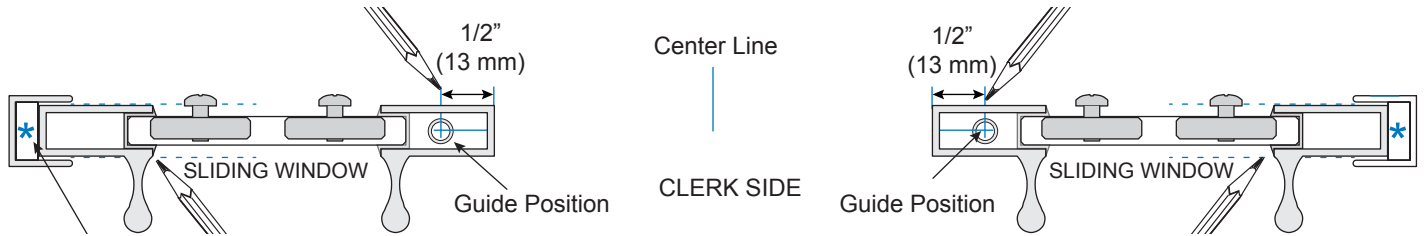
## 2. Hang Sliding Windows





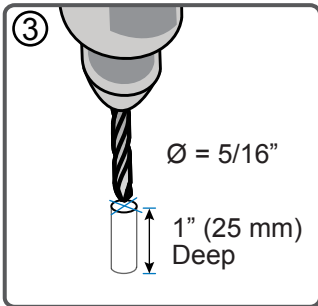
# INSTALLATION (CONTINUED)

With the windows in closed position, mark placement for retractable guides. Move the windows to the open position to mark placement for the jambs. Remove the sliding windows before installing retractable guides and jambs.

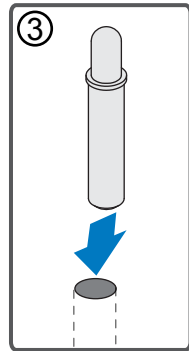


\* Temporarily place Rubber Insert into Jamb to mark Guide placement. Remove to install Jamb. Do Not remove backing until Jambs are secured.

## 3. Install Retractable Guides

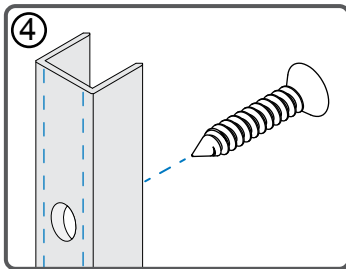


Drill 1" (25 mm) depth hole with 5/16" drill bit.

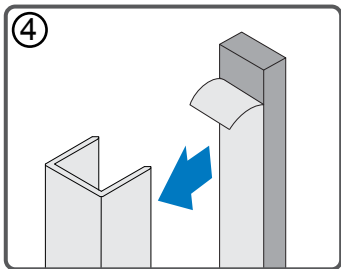


Insert guide in hole.

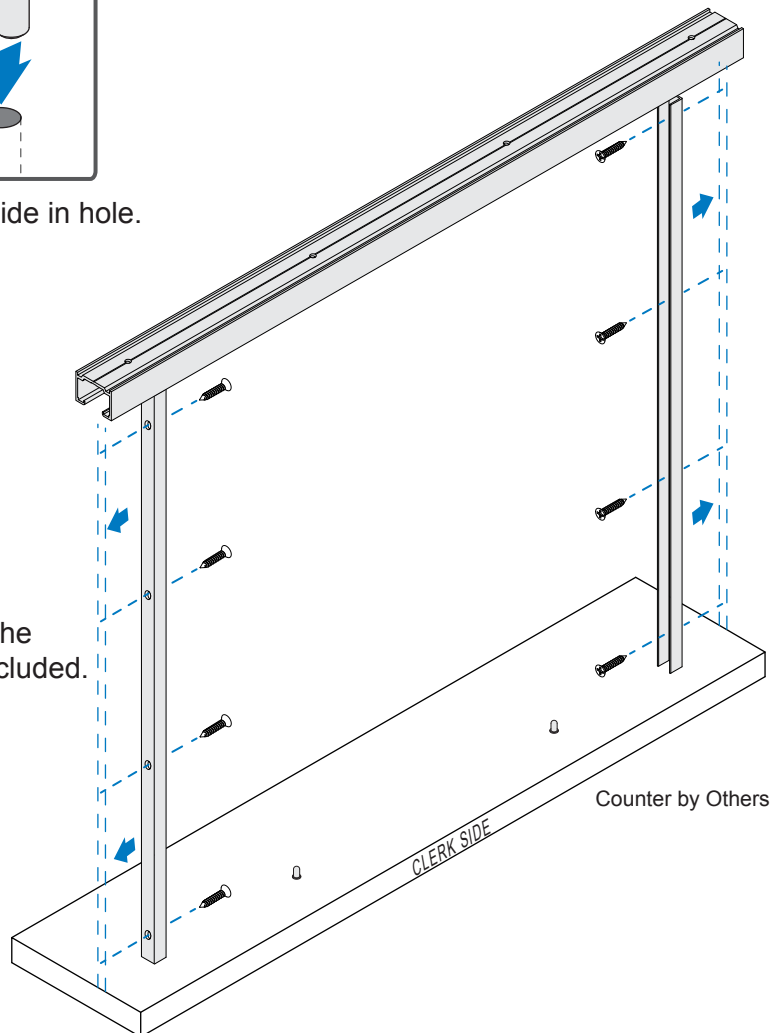
## 4. Install Jambs



Secure using fasteners appropriate for the surrounding substrate. Fasteners not included.



Remove backing and install rubber insert.



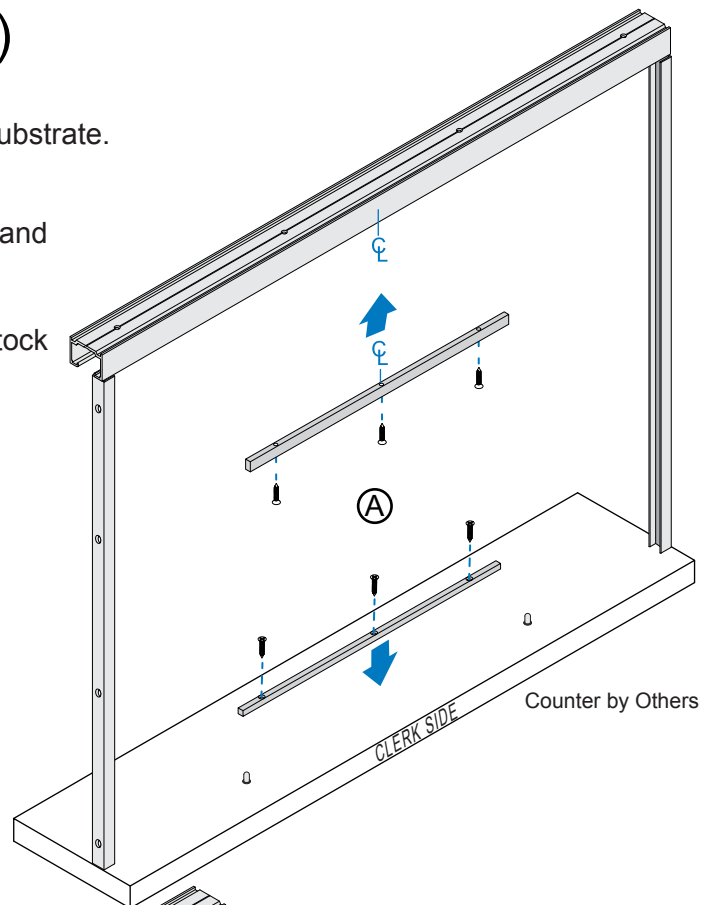
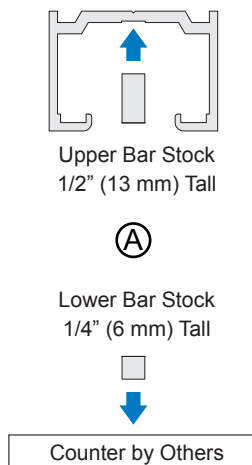
# INSTALLATION (CONTINUED)

## 5. Install Fixed Window

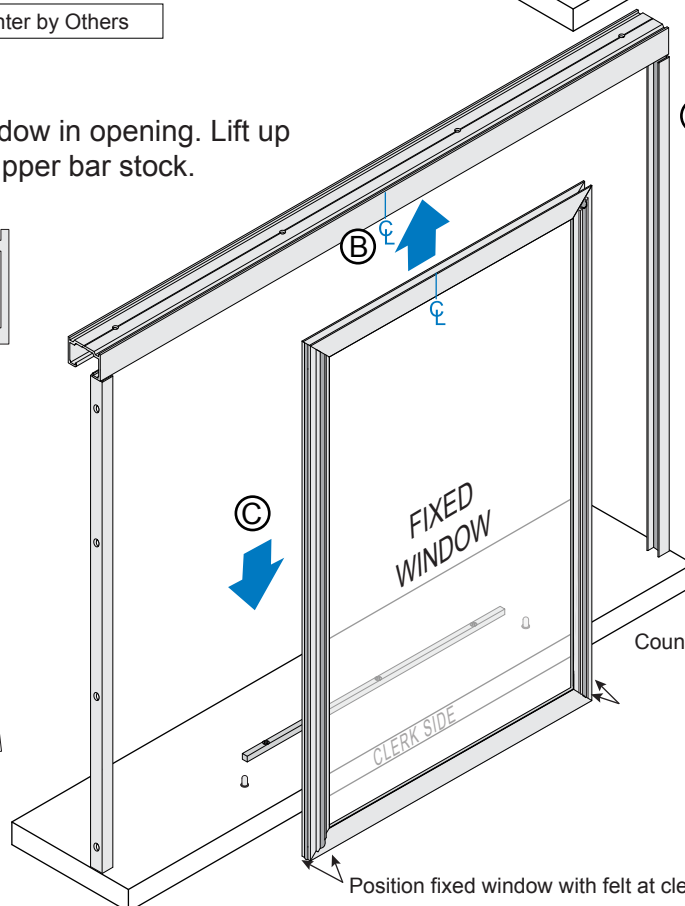
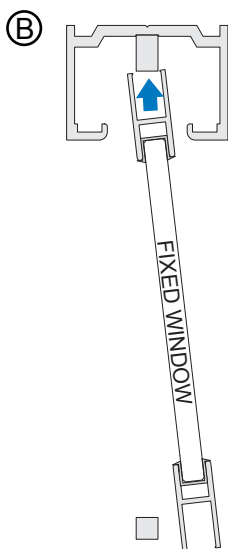
NOTE: Use fasteners appropriate for the surrounding substrate. Fasteners not included.

- (A) Install upper bar stock guide in groove in top track and lower bar stock guide on counter directly below.

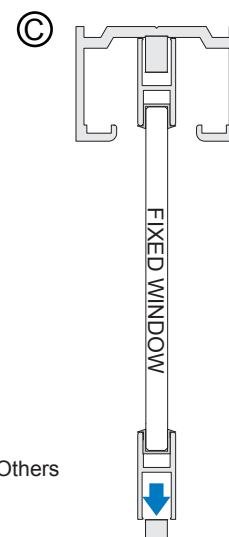
NOTE: Center upper bar stock to top track width. Bar stock is cut 2" (51 mm) shorter than fixed window width.



- (B) Center fixed window in opening. Lift up to engage with upper bar stock.



- (C) Drop down over lower bar stock.



NOTE: If fixed window is too loose, apply silicone sealant to top pocket of upper fixed window frame.

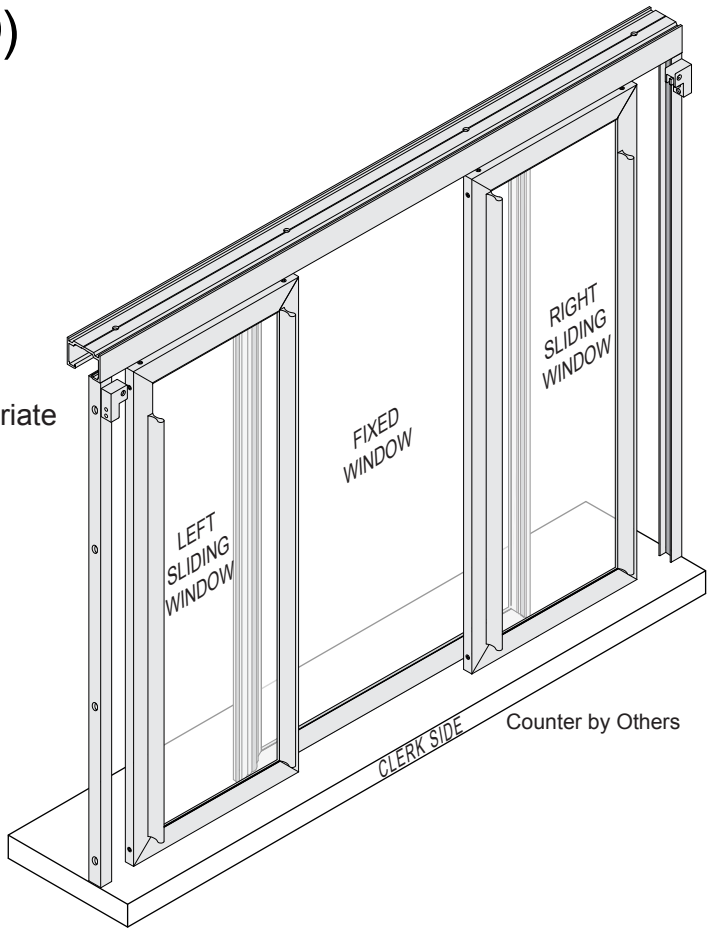
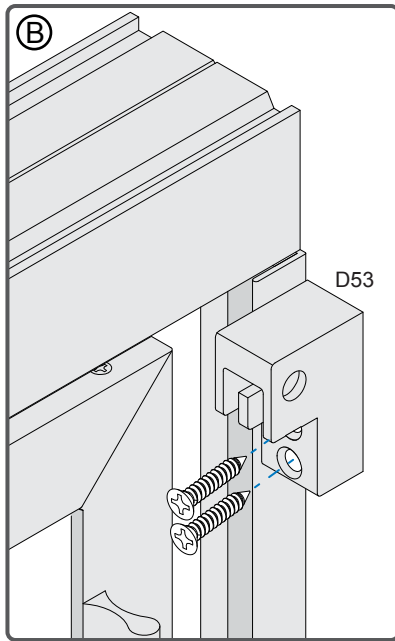
# INSTALLATION (CONTINUED)

## 6. Install D53 Catch

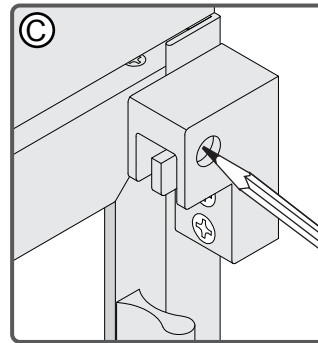
(A) Hang sliding windows. Place the D53 Catch Base next to jamb and align with top of Sliding Window.



(B) Secure using fasteners appropriate for the surrounding substrate. Fasteners not included.

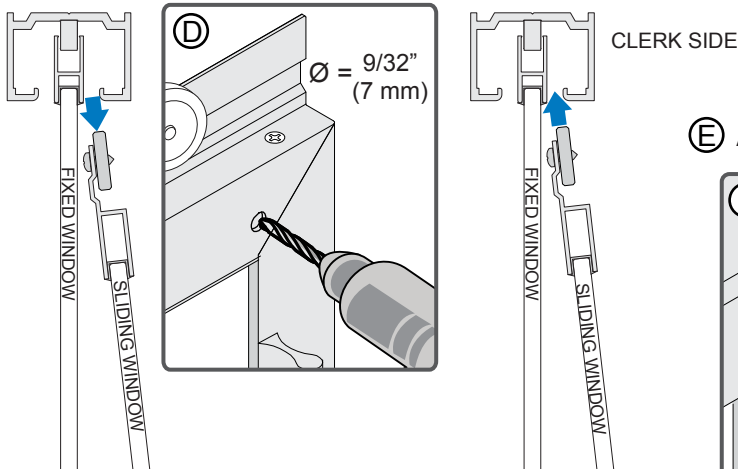


(C) Close windows to mark plunger hole location to be drilled in each Sliding Window.

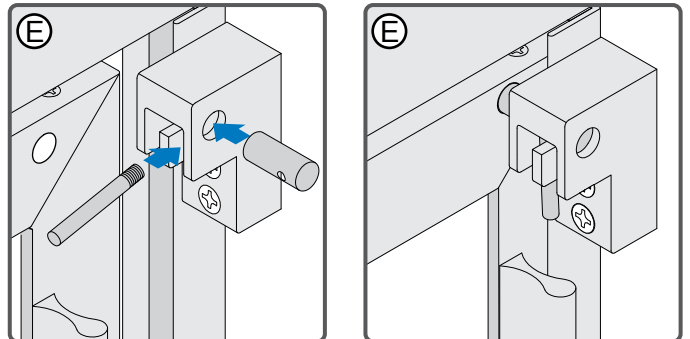


NOTE: D53 Catch is R/L reversible.

(D) Remove windows to drill 9/32" (7 mm) diameter hole, and then reinstall.

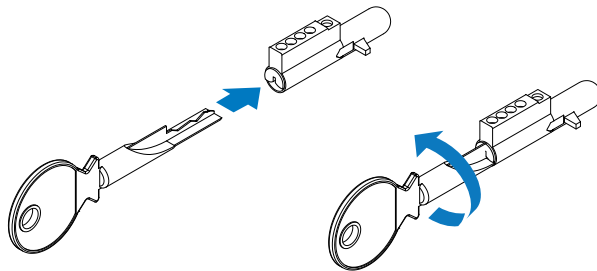


(E) Assemble D53 Catch and close window to check.

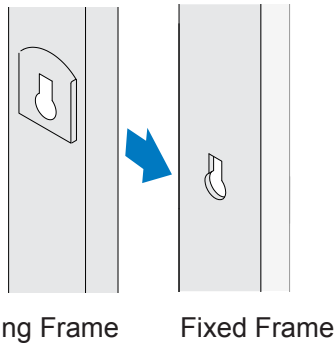


# OPTIONAL KEYED LOCK OPERATION

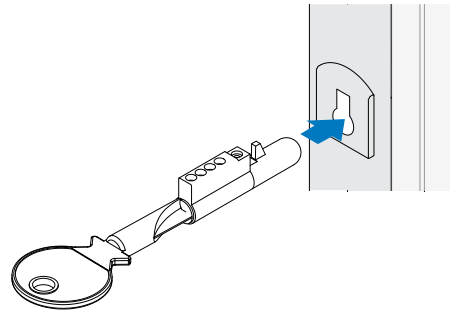
Ⓐ Insert Key into Lock Cylinder and turn to unlock.



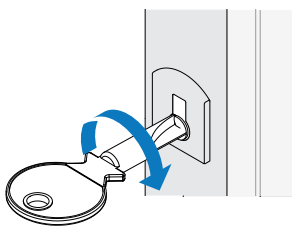
Ⓑ Align sliding frame and jamb.



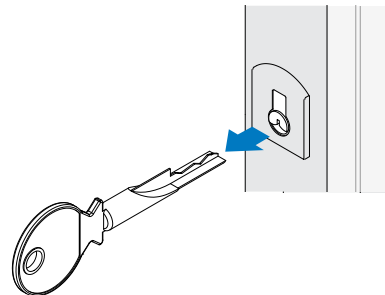
Ⓒ Insert Key and Cylinder.



Ⓓ Turn to locked position.



Ⓔ Remove Key.



NOTE: Keyed lock configuration varies according to model number. Contact the CRL Transaction Hardware Department with any questions at (800) 421-6144 EXT. 7760 or email [transaction@crlaurence.com](mailto:transaction@crlaurence.com).