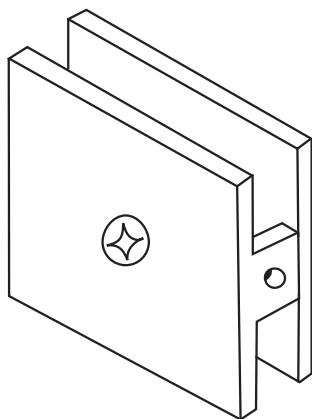
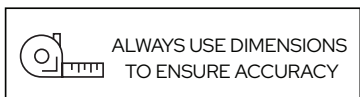


**FRONT VIEW**



**REAR VIEW**



## HEAVY DUTY GLASS CLAMPS

Fixed Panel Square U-Clamp  
CAT. NO. SCU4

**\*NOTE:** Do not exceed either maximum weight or width when choosing proper quantity of hinges.

**IMPORTANT:** Project measurements from the edge of the glass.

### Specifications:

Material: Solid brass  
Glass Thickness Range: 3/8" (10mm) to 1/2" (12mm)  
Hole Size Required: 5/8" (16mm) or 3/4" (19mm)  
Includes: Mounting screws and gaskets

### Template

### TYPICAL INSTALLATION

