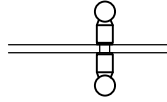
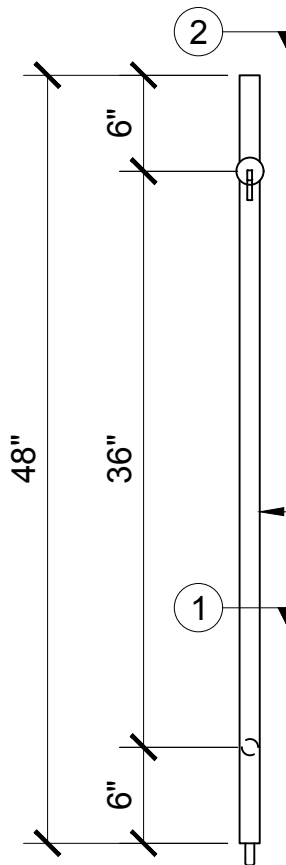


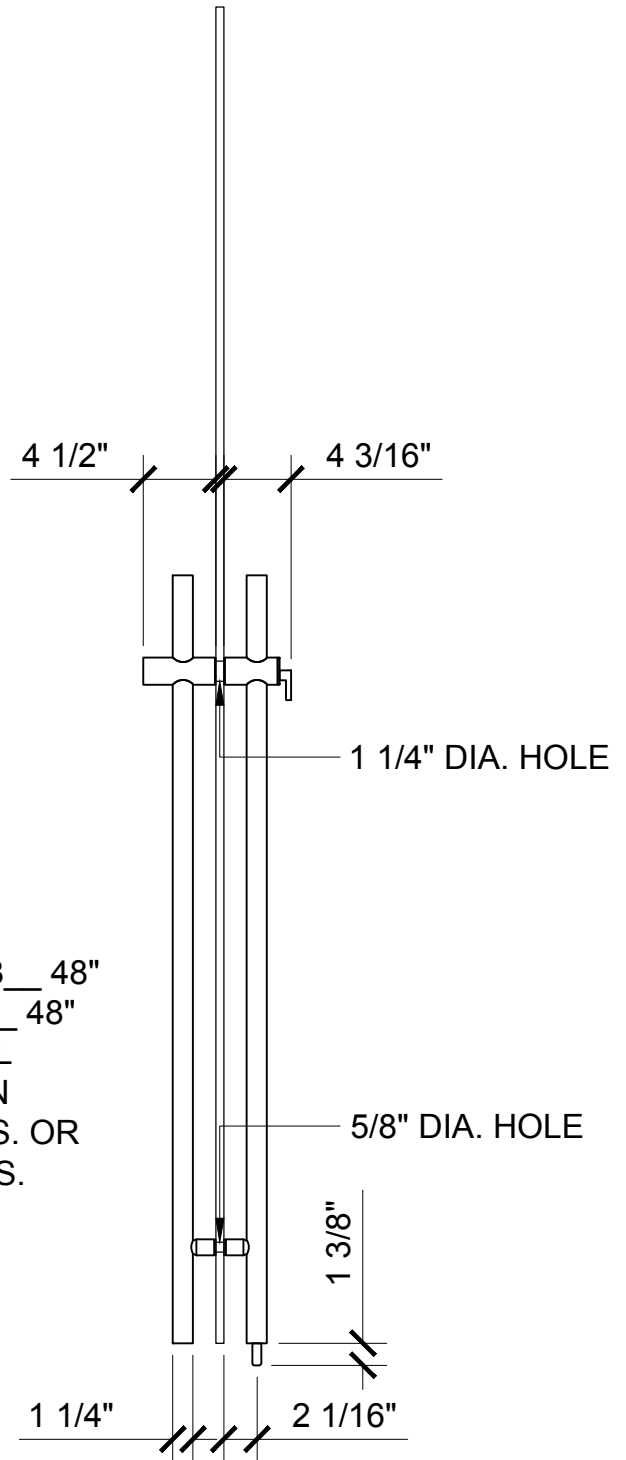
SECTION AT LOCK HOUSING



SECTION AT STANDOFF



CRL DLLPA48\_ 48"  
 CRL LLPA48\_ 48"  
 LADDER PULL  
 AVAILABLE IN  
 BRUSHED S.S. OR  
 POLISHED S.S.



ELEVATION

SECTION



C.R.LAURENCE CO. ARCHITECTURAL PRODUCTS  
 2503 E. Vernon Avenue, Los Angeles, C.A 90058-1897  
 PH (800)-421-6144 FX: 800-587-7501 www.crlaurence.com

DESCRIPTION: LLPA48\_/DLLPA48\_

DATE: 8/20/14

SCALE: 1"=1'-0"

DRAWN BY: AAD