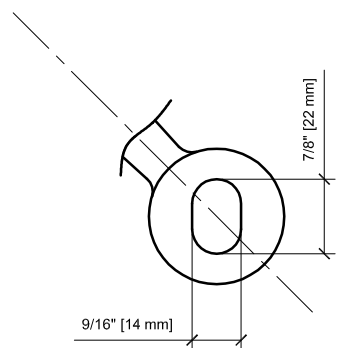
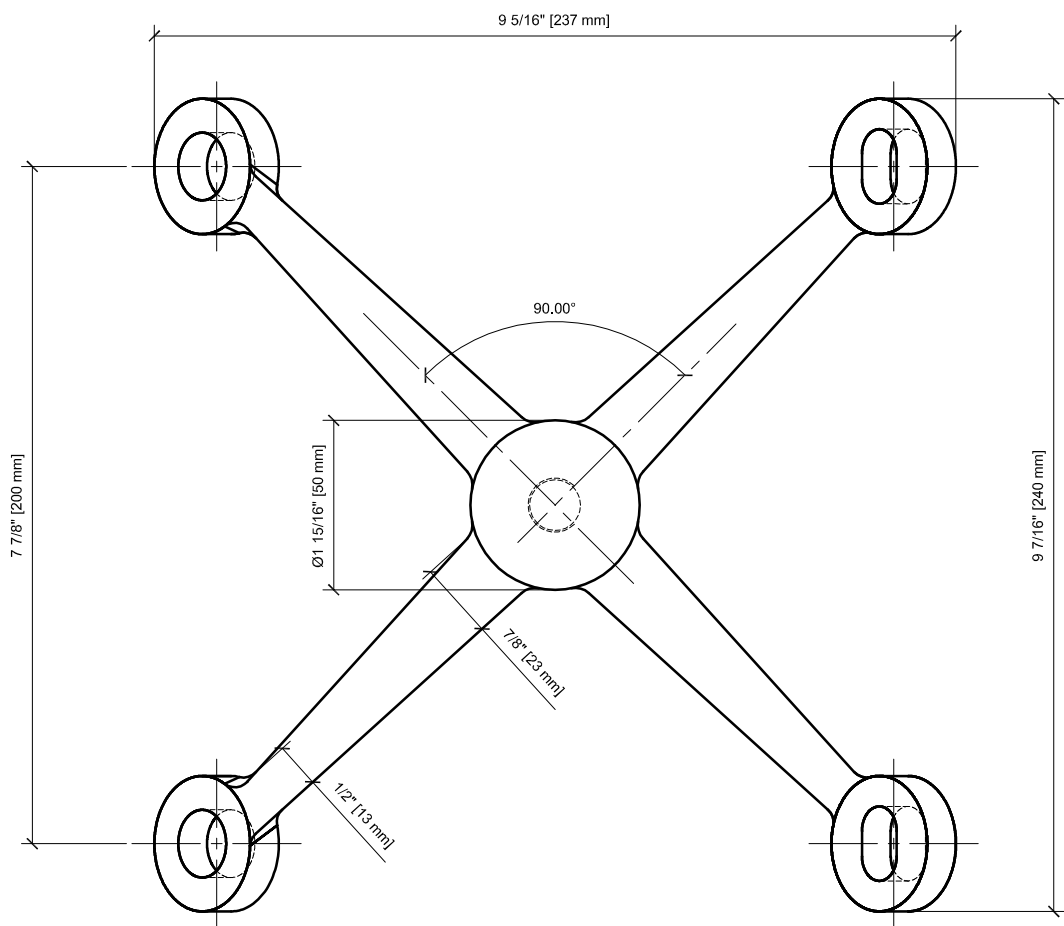
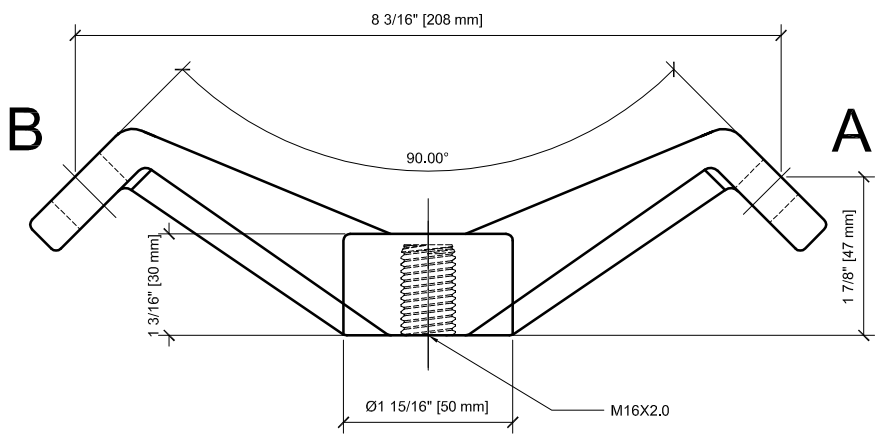


B



A



PMH490

Revisions By:

JO - xx/xx/xxxx

CR

C.R. LAURENCE CO. ©

ARCHITECTURAL PRODUCTS

2603 E. Vernon Avenue
 Los Angeles, CA 90058-1807
 PH (800) 421-4144 FAX (800) 262-3299
 www.crlaurence.com

Architect :
 Tel -
 Fax -

Project Name :
PMH490
SPIDER FITTING

Glazing Contractor :
CR LAURENCE
 Address 1
 Address 2
 Tel 1 xxx xxx xxxx
 Fax 1 xxx xxx xxxx

Drawn By : RGA
 Date : 05/12/10
 Scale : As Noted
 Job No. : xx-xxx

Sheet No. :
 1