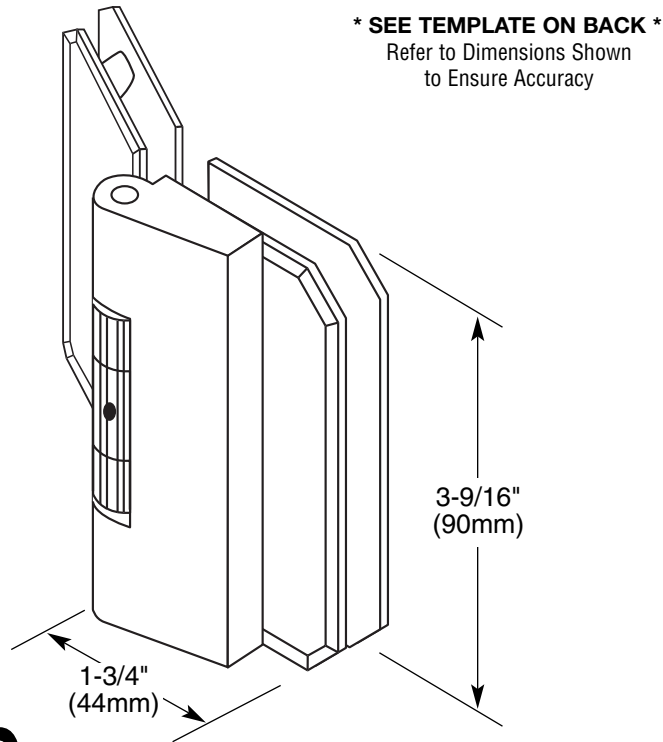




C.R. LAURENCE CO., INC.
PROFESSIONAL QUALITY



MONACO

Adjustable Glass-to-Glass Hinge (Door Swings 225° Out Only)
 135° Application

Cat. No. MON183

*Maximum Capacities	1/4" (6mm)		5/16" (8mm)	
	Weight	Width	Weight	Width
Using 2 Hinges	55 lbs.(25 kg)	31"(787mm)	55 lbs.(25 kg)	31"(787mm)
Using 3 Hinges	82 lbs.(37 kg)	34"(864mm)	82 lbs.(37 kg)	34"(864mm)

*NOTE: Do not exceed either maximum weight or width when choosing proper quantity of hinges.

Important Information:

Door and fixed panel use the same hole pattern (no cutout required)
 Fixed panel holes are dimensioned from inside edge of miter.

Specifications:

Glass Sizes: 1/4" (6mm) to 5/16" (8mm) thick tempered safety glass

Construction: Solid brass

Closing Type: Self-centering when within 15° of closed position.

Holes Only Required

Includes: Gaskets, screws and template

Use of Gaskets:

For 1/4"(6mm) Glass: Use one thick gasket on each side

For 5/16"(8mm) Glass: Use one thin gasket on each side

Recommendations:

For public safety, we recommend the use of only tempered safety glass.

Do not use power tools when installing these hinges.

Maintenance Guidelines:

- Never use an abrasive cleaner on the hardware. Many of the components are coated with a clear lacquer that will be irreparably damaged if subjected to harsh, abrasive chemicals. Advise your customer that drying the hardware with a clean, soft towel on a daily basis is the best way to maintain the hardware. If mineral deposits build-up, mix a couple of drops of a mild liquid soap (such as Ivory or a similar product) into a cup of warm water. Using a soft, non-abrasive cloth, clean the hardware. Rinse thoroughly with clean, warm water and dry.