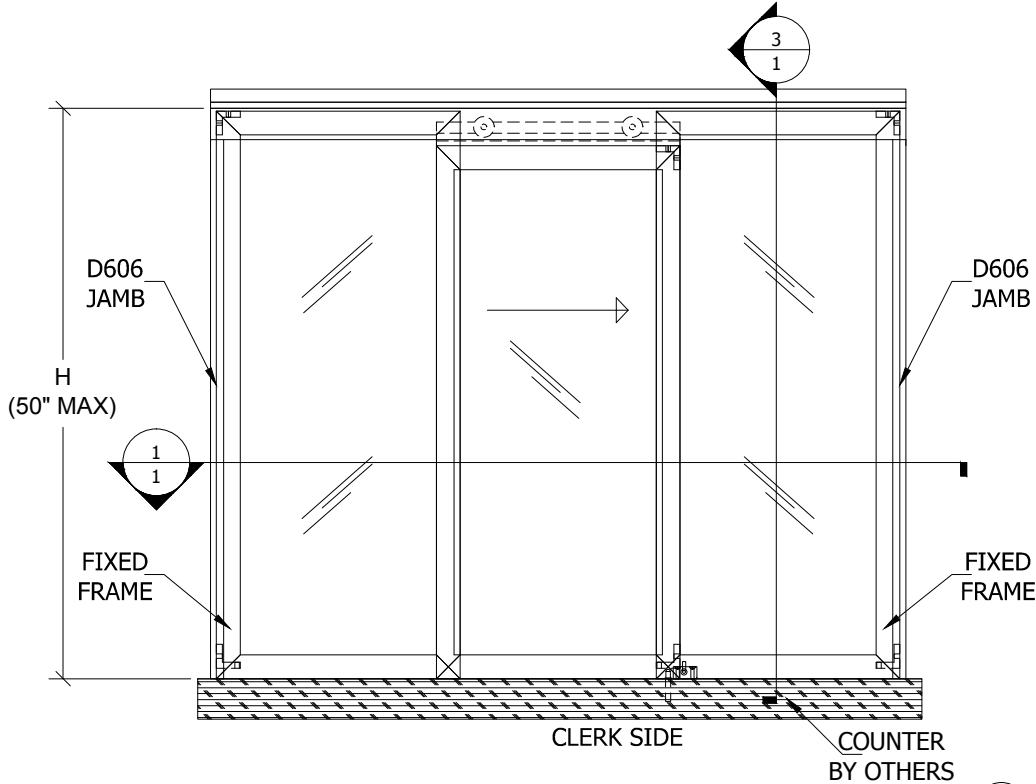
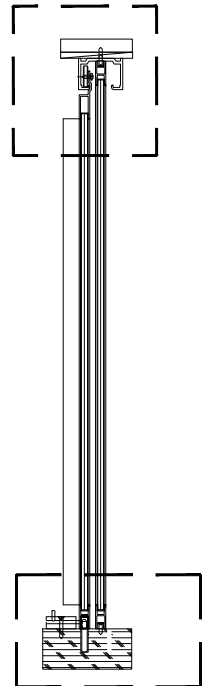


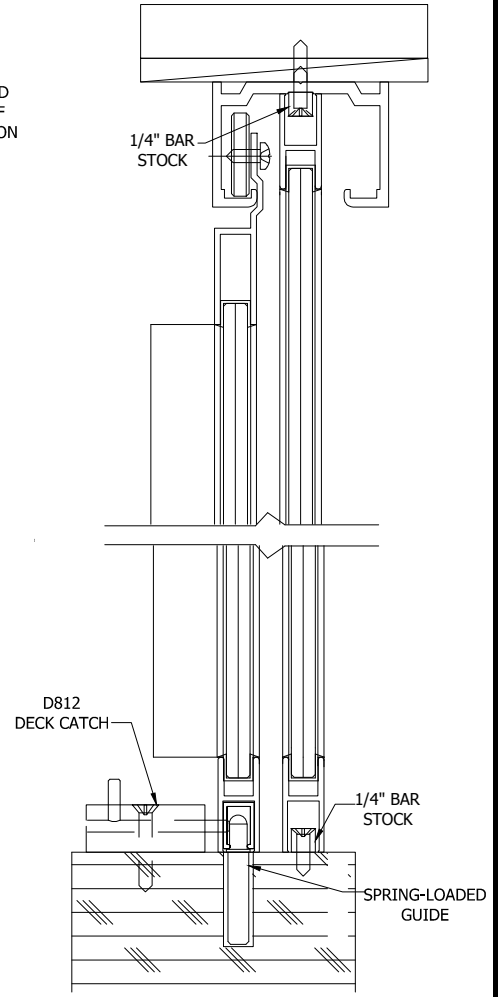
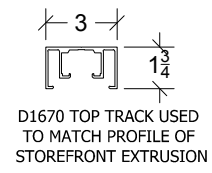
REV	DESCRIPTION	DATE	BY



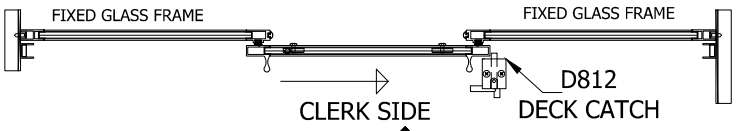
2 ELEVATION VIEW
REF: Scale: NTS



3 SECTION VIEW
Scale: NTS.



4 SECTION VIEW
Scale: NTS.



1 PLAN VIEW
REF: Scale: NTS.

CAT. NO.	FINISH	OVERHEAD
D1029A	SATIN ANODIZED	D7
D1029DU	DURANODIC BRONZE	D7
D1030A	SATIN ANODIZED	D1670
D1030DU	DURANODIC BRONZE	D1670

ALWAYS USE DIMENSIONS SHOWN ON THE PLAN.
DO NOT SCALE OR DIMENSION ACTUAL DRAWING
TO ENSURE ACCURACY



ARCHITECTURAL PRODUCTS
PH: 800-421-6144 FX: 800-262-3299
WWW.CRLAURENCE.CO

DESCRIPTION: **BARBARA MODEL PASS-THRU**
MODELS D1029 & D1030 INTERIOR USE ONLY

CAT. NO: D1029 / D1030	DATE: 3-22-13
FILE NAME: D1029 & D1030	SCALE: AS SHOWN
DRAWN BY: J.V.	CHECKED BY: R.D.
SHT 1 OF 1	