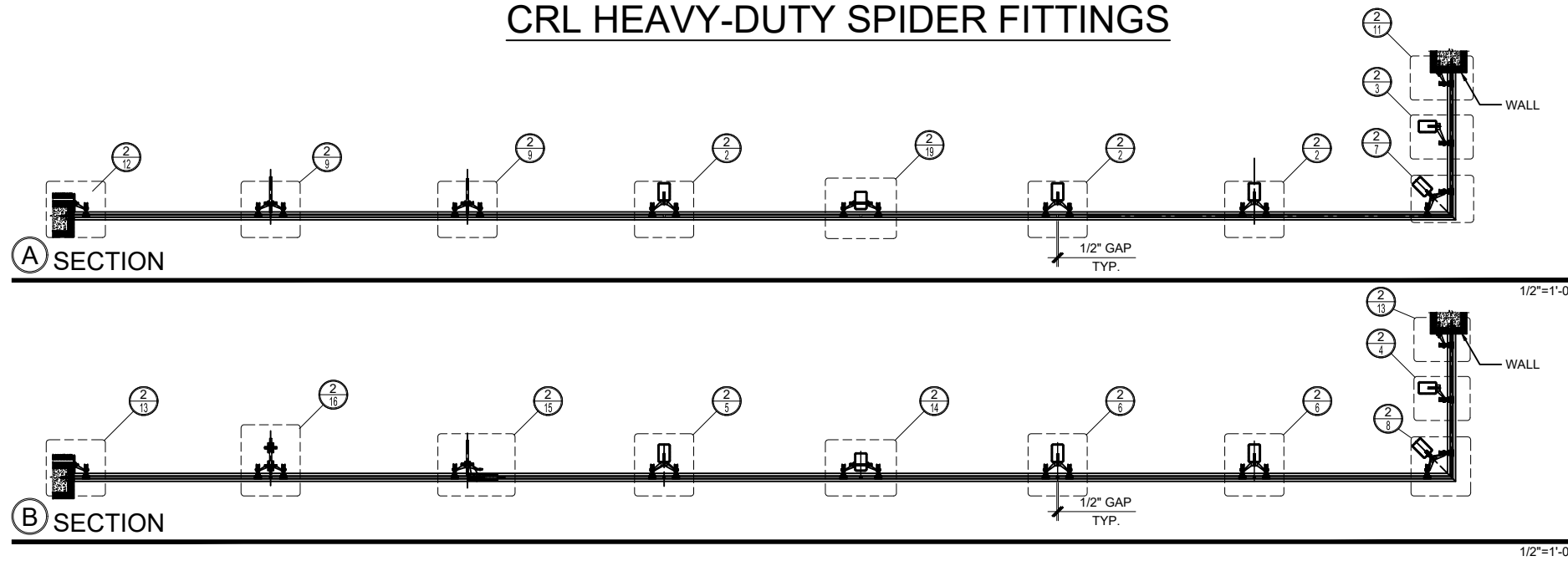
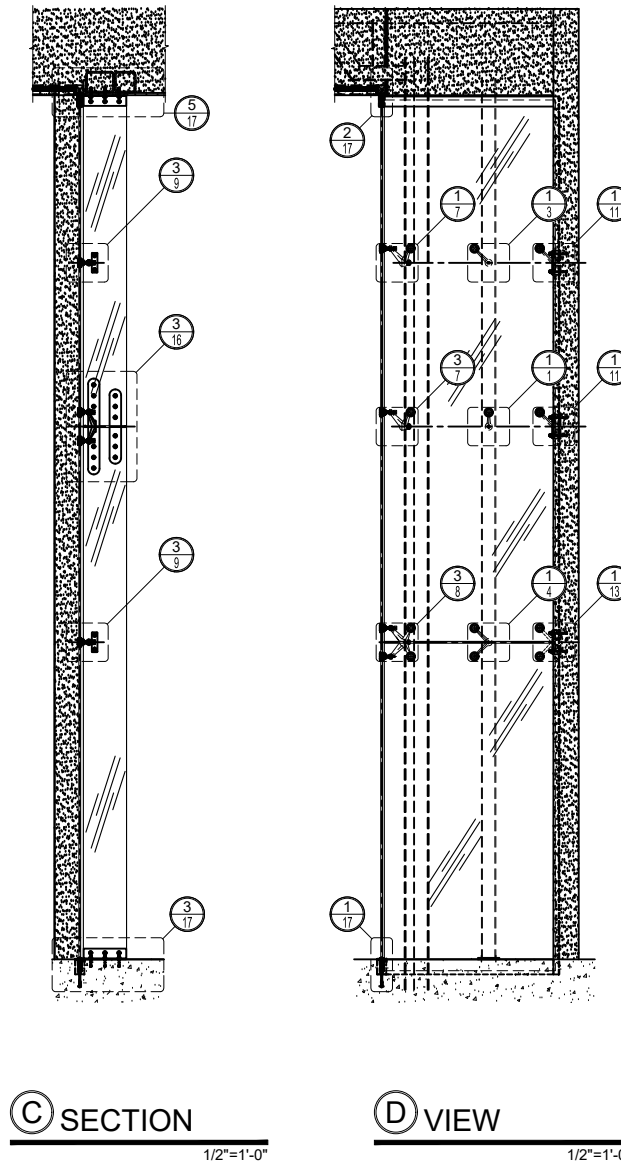
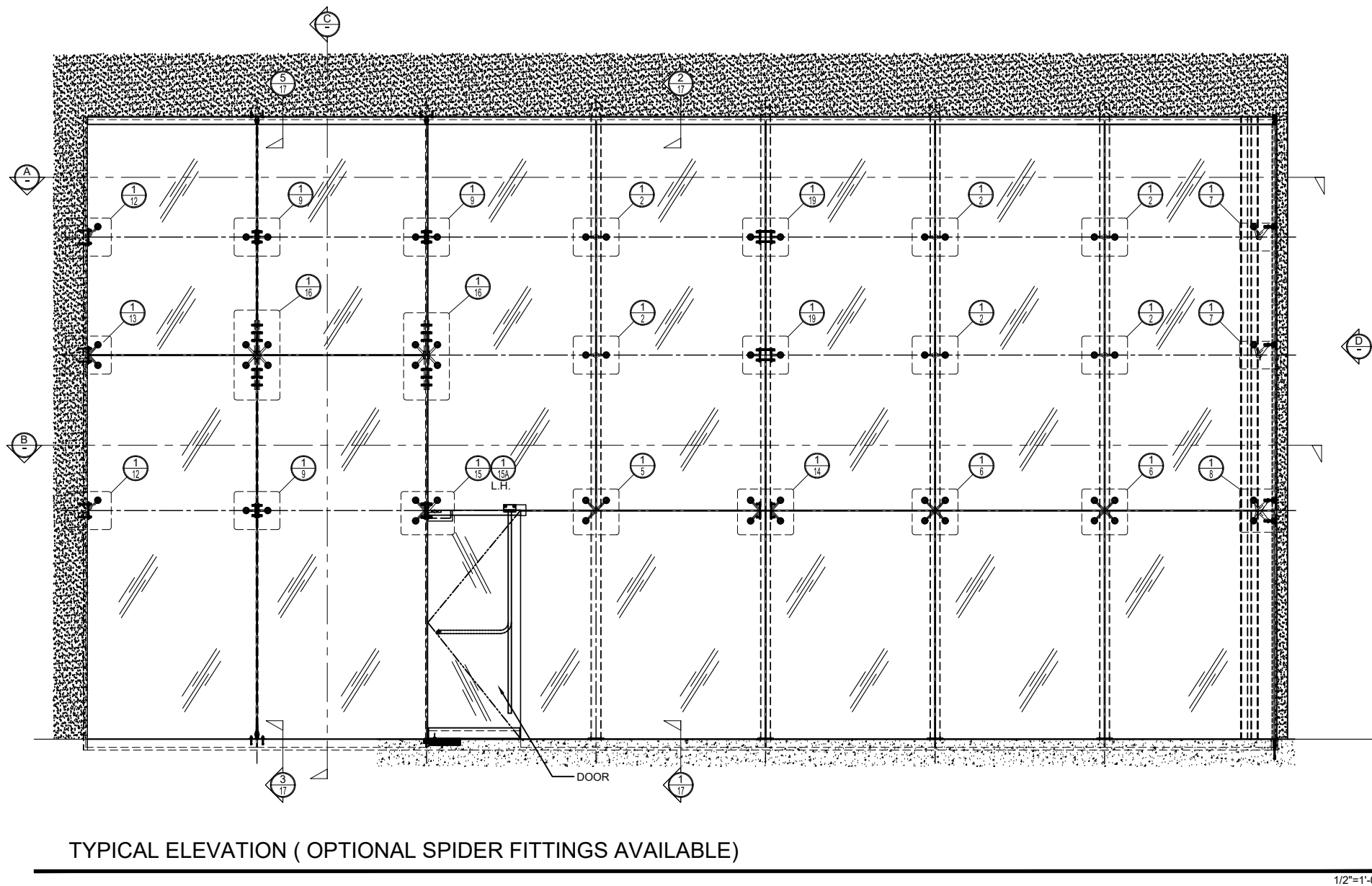


CRL HEAVY-DUTY SPIDER FITTINGS



- * FOR USE WITH 1/2" TO 13/16" (12 TO 20 MM) TEMPERED GLASS
- * SPIDERS FOR MOUNTING TO POST, WALLS OR FINIS
- * DESIGNED FOR THE 'ALL GLASS' LOOK
- * NEW COMBINATION GLASS ATTACHMENTS - SAME ATTACHMENT CAN BE USED FOR FLUSH MOUNT OR CAP MOUNT APPLICATIONS - RIGID HEAD AND SWIVEL HEAD STYLES AVAILABLE
- * MADE OF 316 ALLOY STAINLESS STEEL IN TWO ATTRACTIVE FINISHES: BRUSHED OR POLISHED

STRUCTURAL DISCLAIMER:
 ALL CUSTOMERS WHO IN ANY WAY UTILIZE THIS PRODUCT ARE SOLELY RESPONSIBLE TO CONSULT A STRUCTURAL ENGINEER TO DETERMINE THE SUITABILITY OF THE PRODUCT FOR THE INTENDED USE AND SITE CONDITIONS. ALL INSTALLERS MUST BE QUALIFIED AND HAVE PROFESSIONAL KNOWLEDGE ABOUT COMPLIANCE WITH LOCAL, STATE AND FEDERAL REGULATIONS, SAFETY FACTORS, AND THE APPROPRIATE CHOICE OF FIXING MATERIAL AND PROCEDURES.



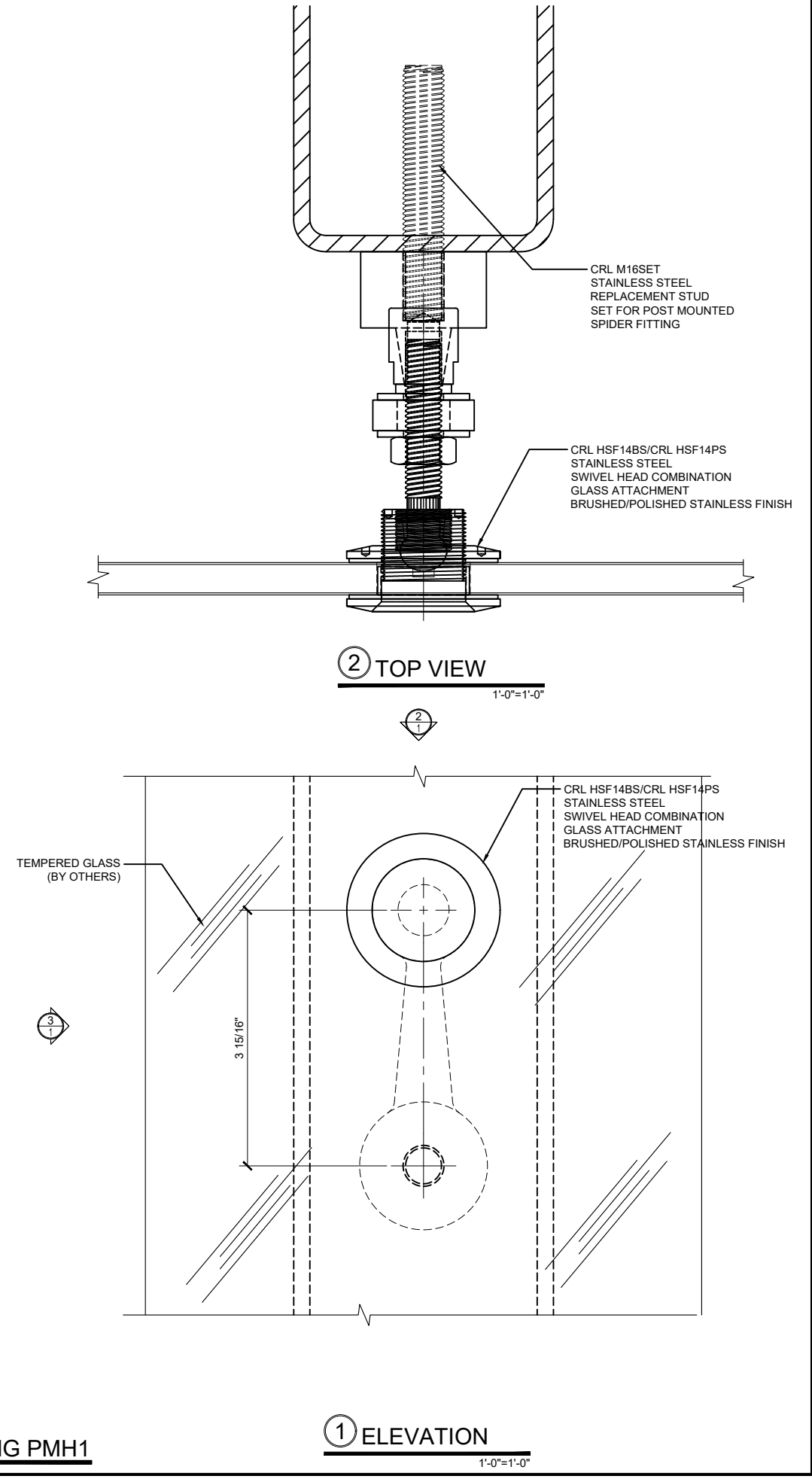
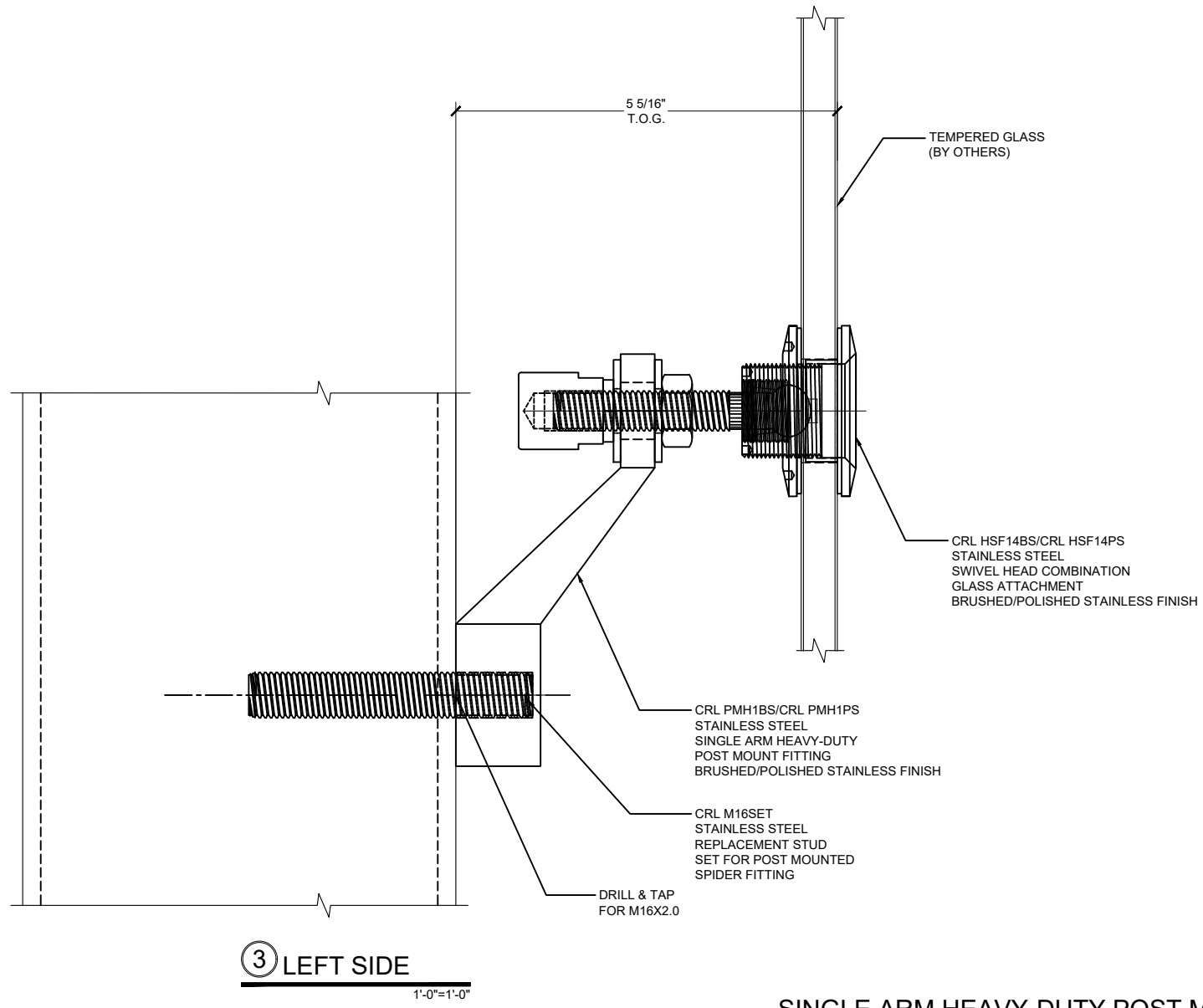
Revisions By:

CRL

2503 E. Vernon Avenue, Los Angeles, CA 90058-1897
 PH (800)-421-6144 FX: 800-587-7501 www.crlaurence.com

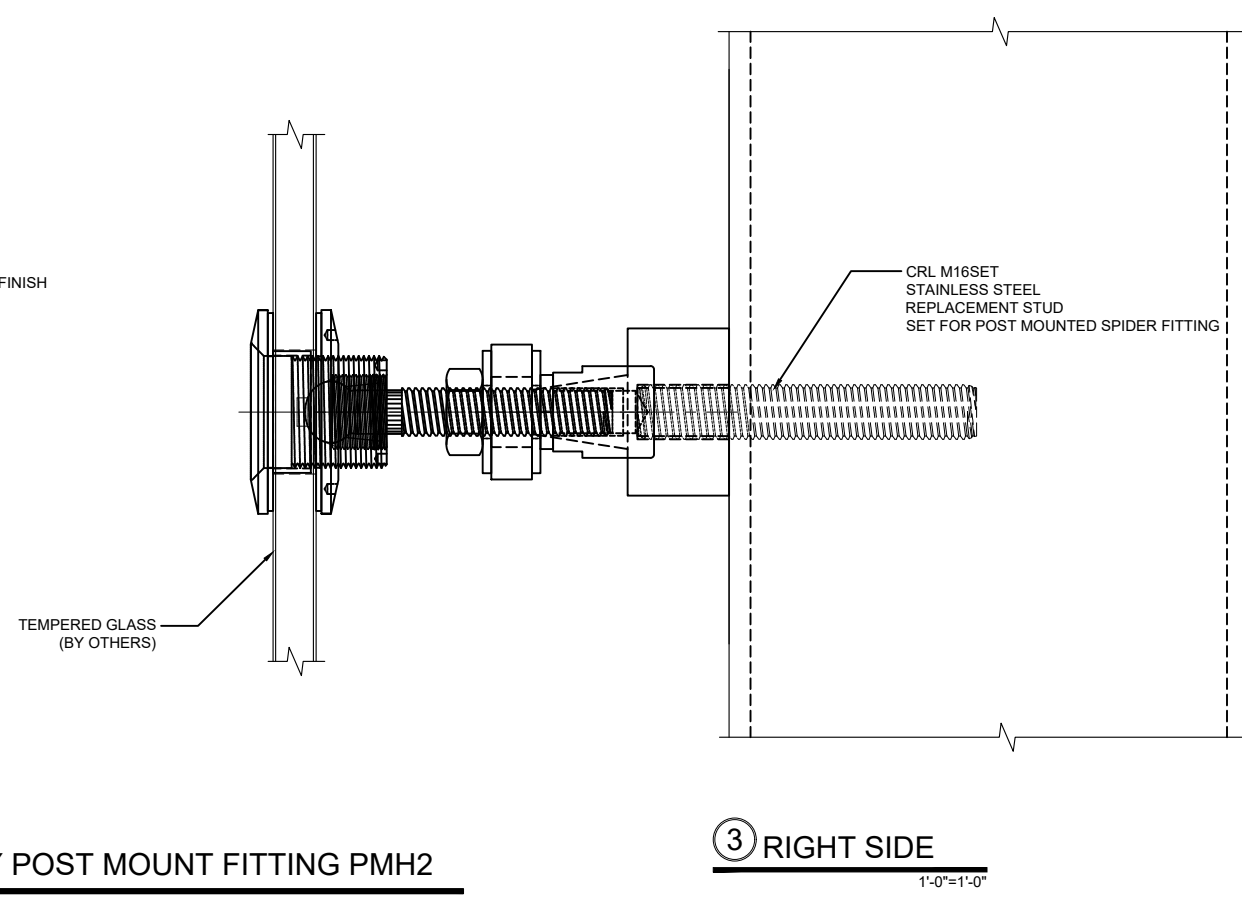
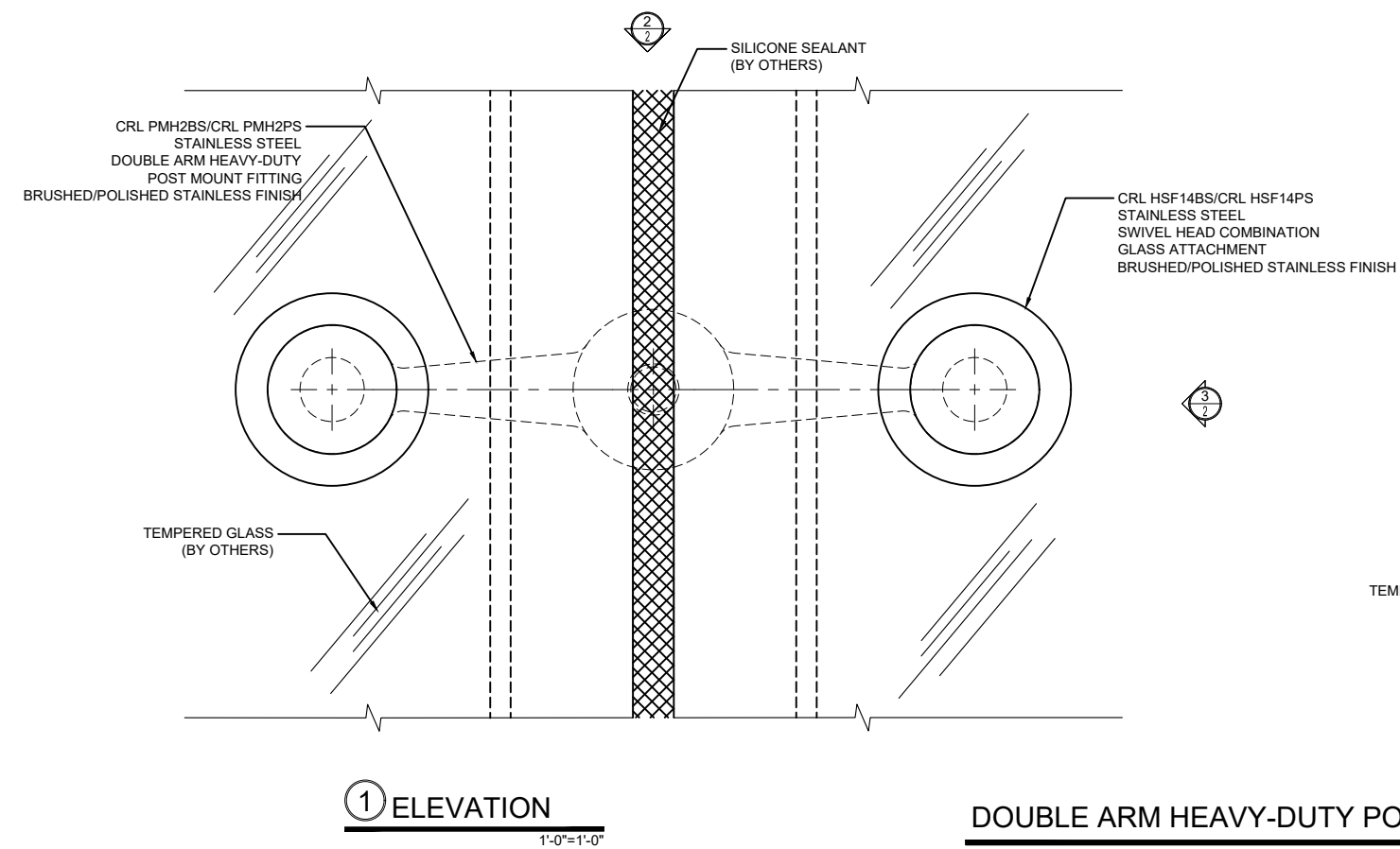
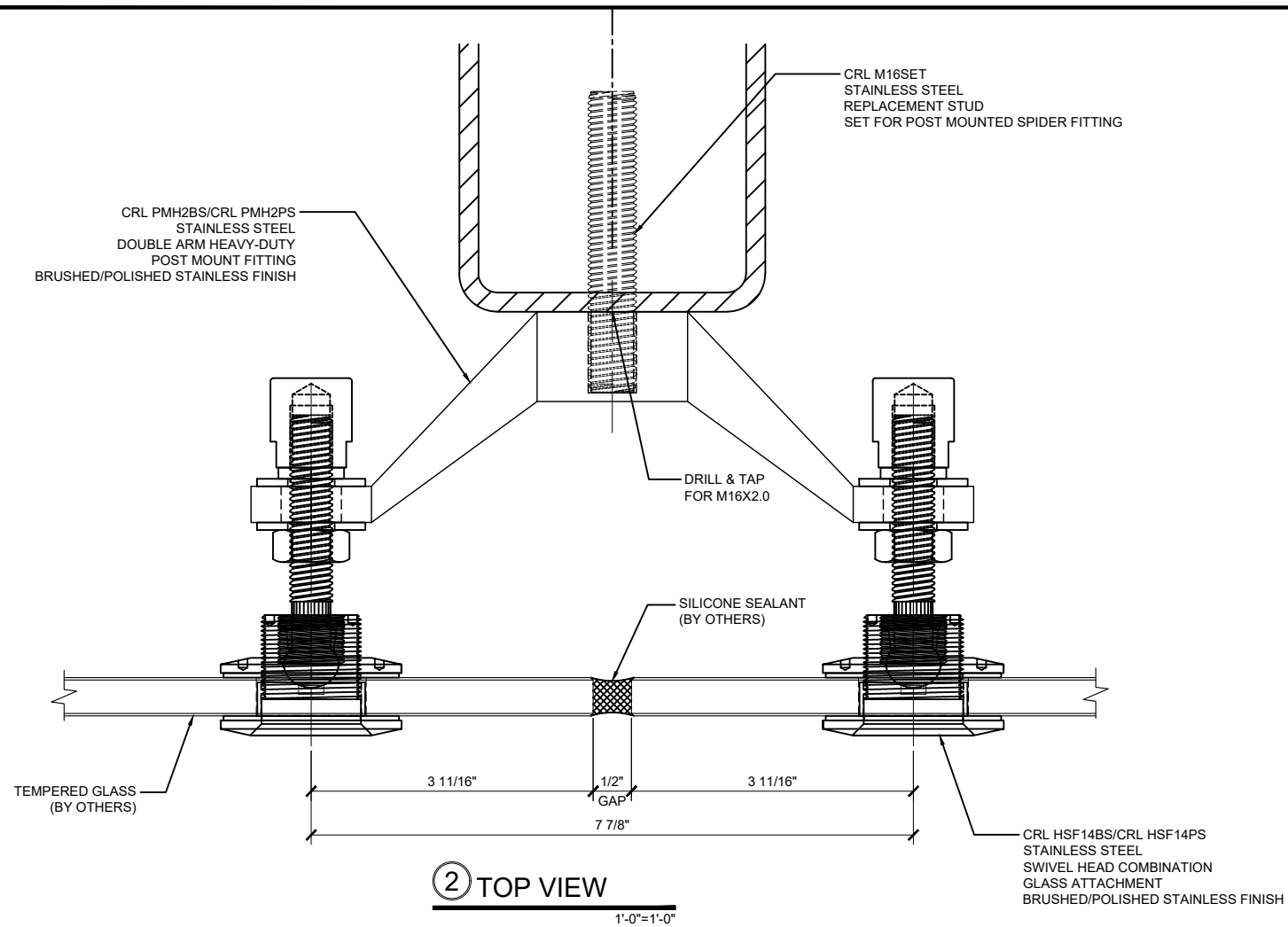
Description:
 CRL SPIDER FITTINGS

Drawn By: JRM
 Date: 4/4/17
 Scale: 1/2"=1'-0"
 File Name: Heavy Duty Spider Fittings.dwg



SINGLE ARM HEAVY-DUTY POST MOUNT FITTING PMH1

Revisions By:	
CRL.	
2503 E. Vernon Avenue, Los Angeles, CA 90058-1897 PH (800)-421-6144 FX: 800-587-7501 www.crlaurence.com	
Description:	CRL SPIDER FITTINGS
Drawn By:	JRM
Date:	4/4/17
Scale:	FULL
File Name:	Heavy Duty Spider Fittings.dwg
Sheet	1



DOUBLE ARM HEAVY-DUTY POST MOUNT FITTING PMH2

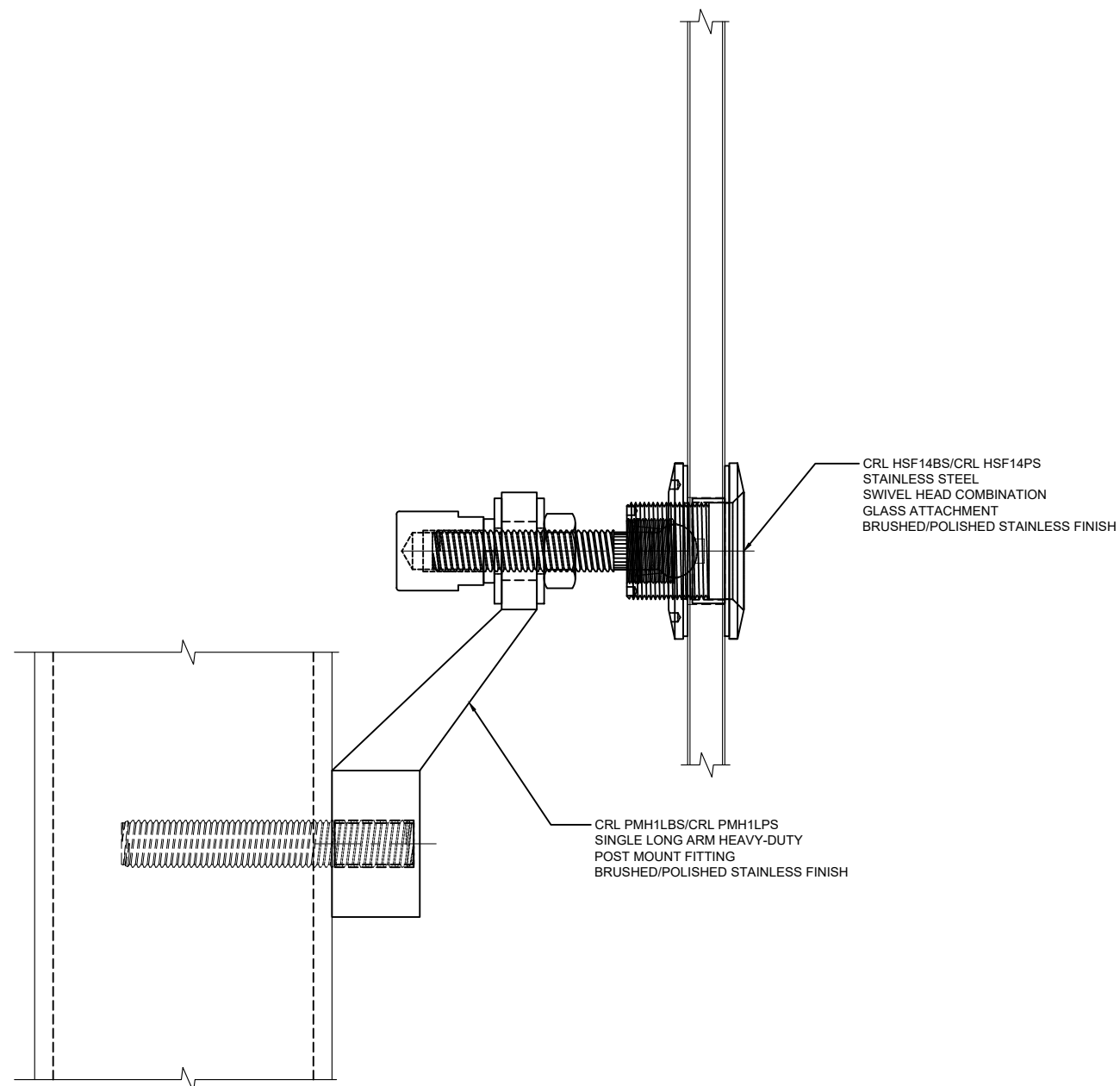
Revisions By:

CRL

2503 E. Vernon Avenue, Los Angeles, CA 90058-1897
PH (800)-421-6144 FX: 800-587-7501 www.crlaurence.com

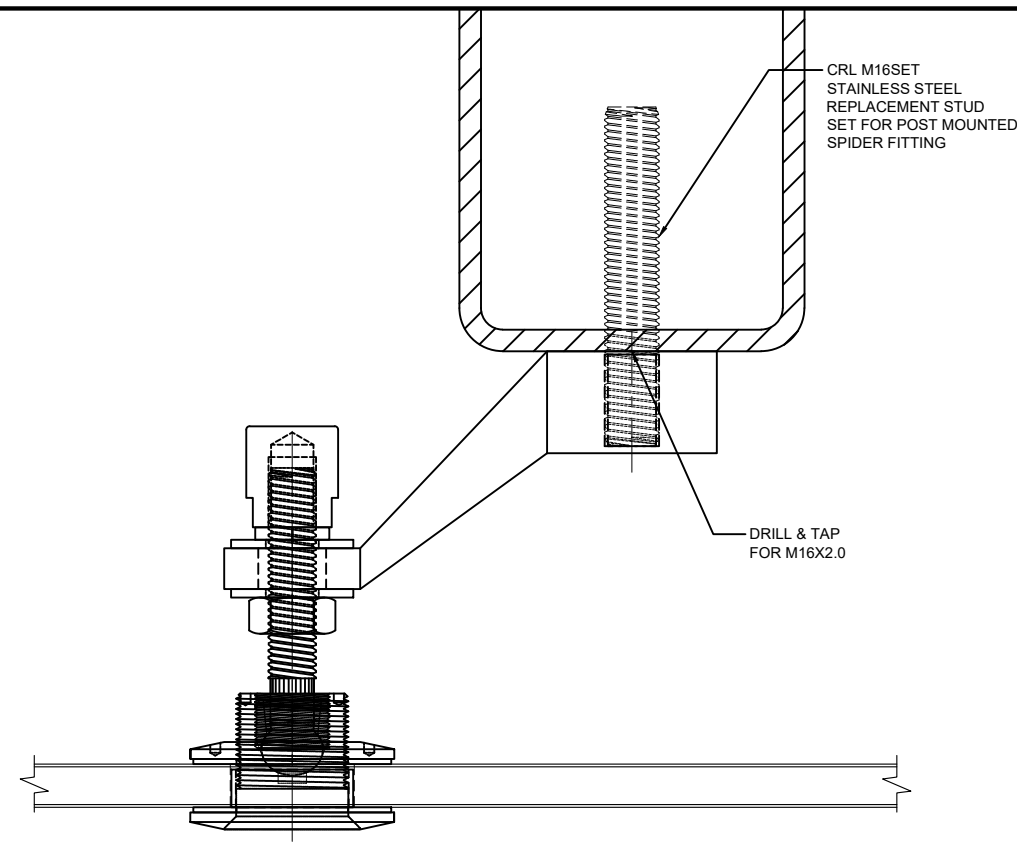
Description:
CRL SPIDER FITTINGS

Drawn By: JRM
Date: 4/4/17
Scale: FULL
File Name: Heavy Duty Spider Fittings.dwg
Sheet

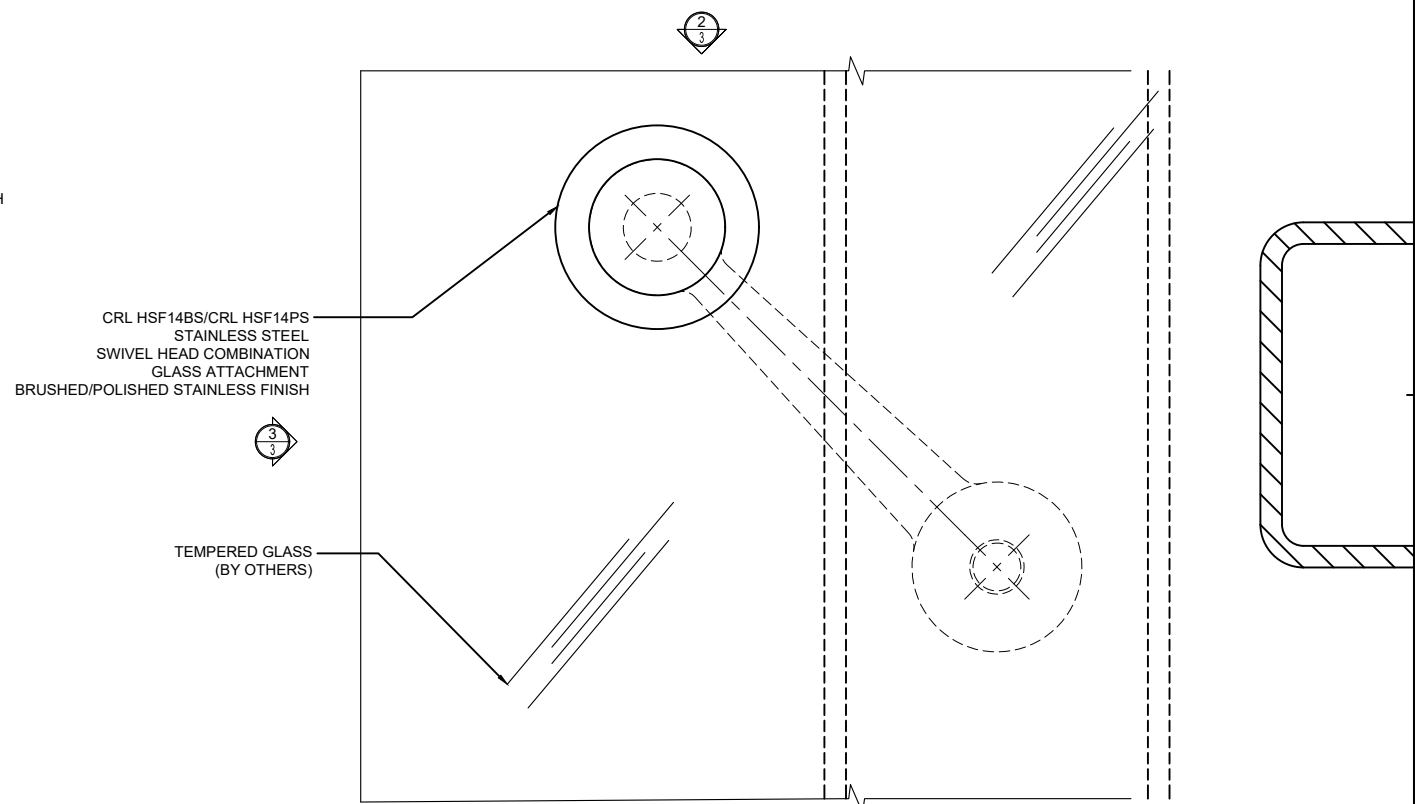


③ LEFT SIDE
1'-0"=1'-0"

SINGLE LONG ARM HEAVY-DUTY POST MOUNT FITTING PMH1L



② TOP VIEW
1'-0"=1'-0"



① ELEVATION
1'-0"=1'-0"

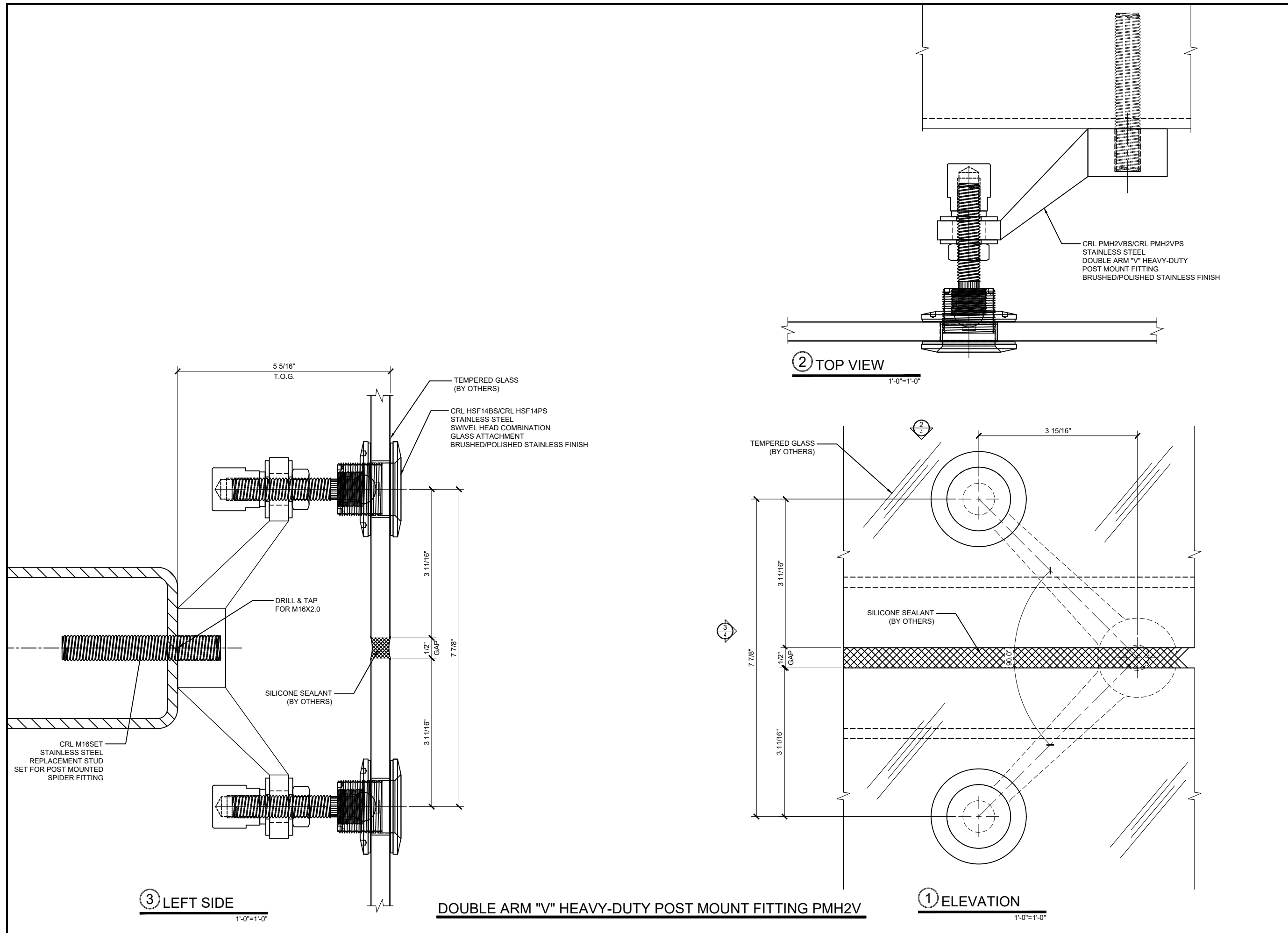
Revisions By:



2503 E. Vernon Avenue, Los Angeles, CA 90058-1897
PH (800)-421-6144 FX: 800-587-7501 www.crlaurence.com

Description:
CRL SPIDER FITTINGS

Drawn By: JRM
Date: 4/4/17
Scale: FULL
File Name: Heavy Duty Spider Fittings.dwg
Sheet



Revisions By:

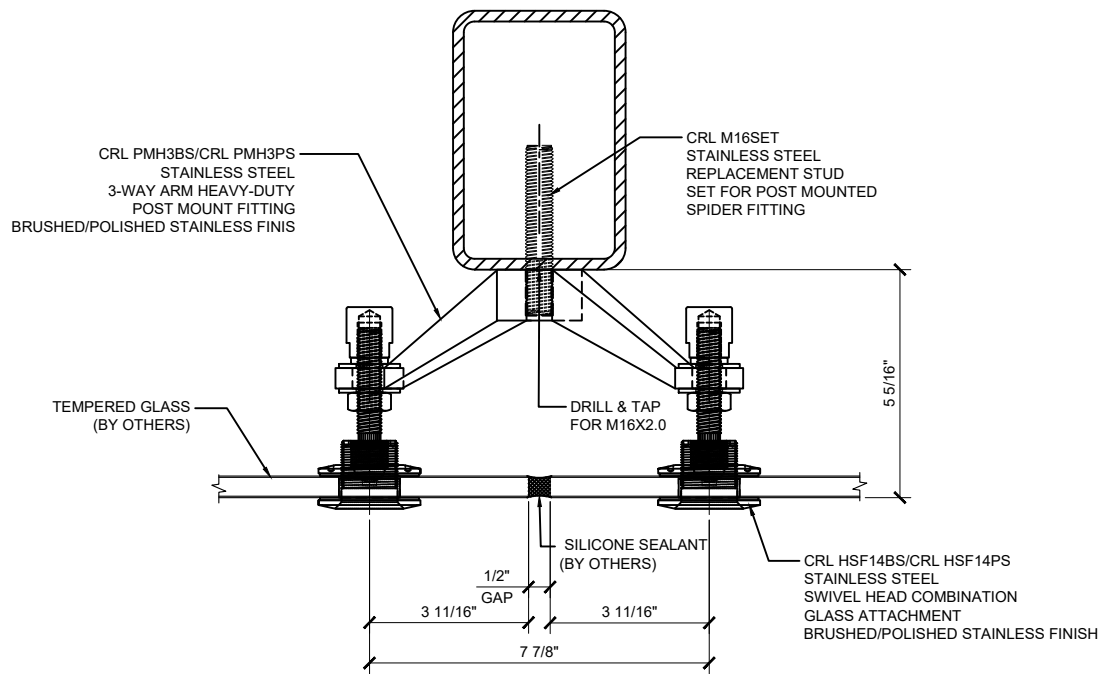
CRL

2503 E. Vernon Avenue, Los Angeles, CA 90058-1897
 PH (800)-421-6144 FX: 800-587-7501 www.crlaurence.com

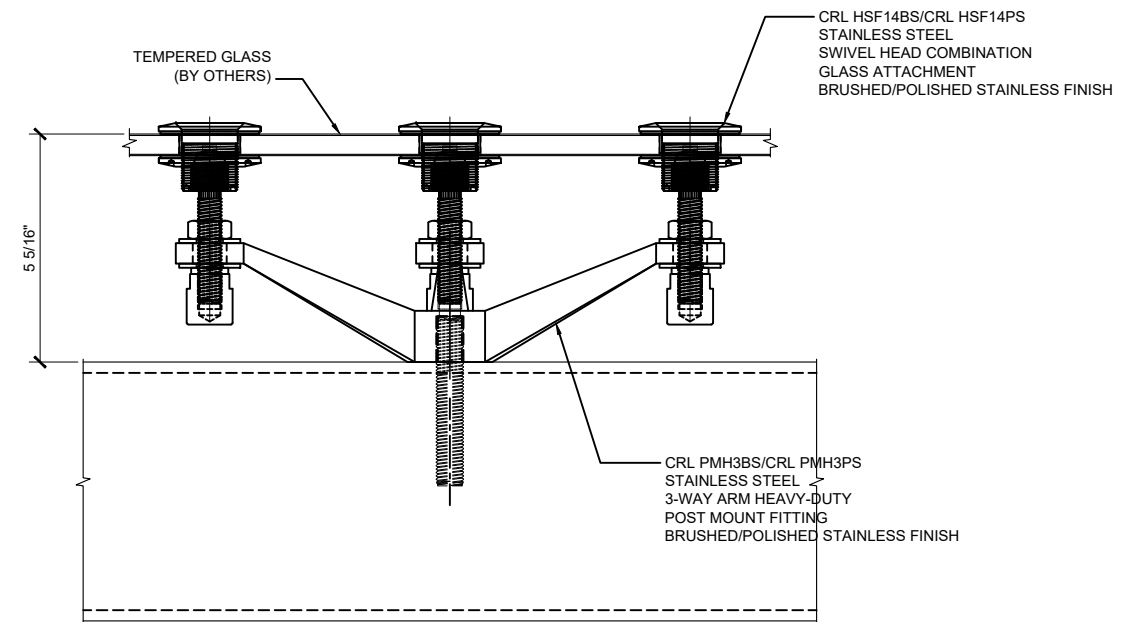
Description:
CRL SPIDER FITTINGS

Drawn By: JRM
 Date: 4/4/17
 Scale: FULL
 File Name: Heavy Duty Spider Fittings.dwg
 Sheet

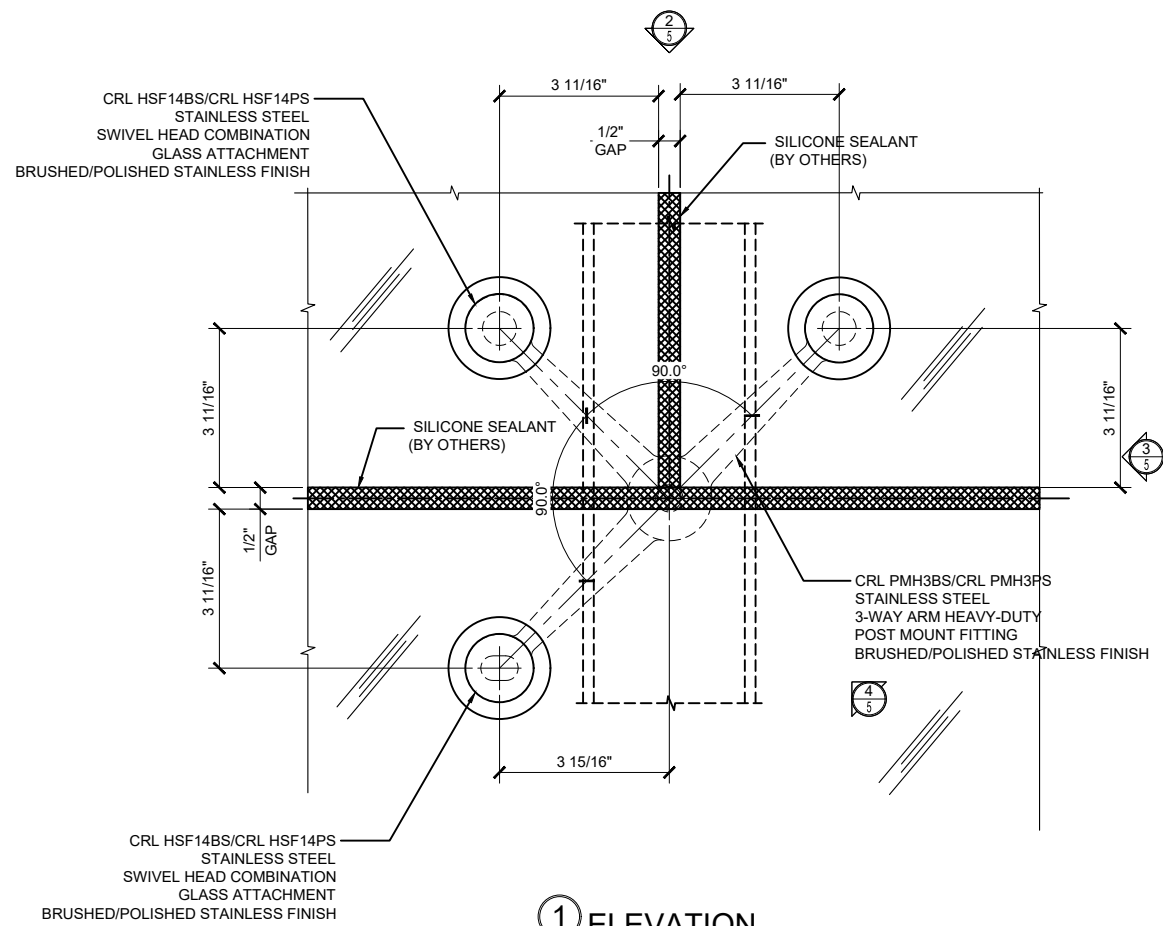
4



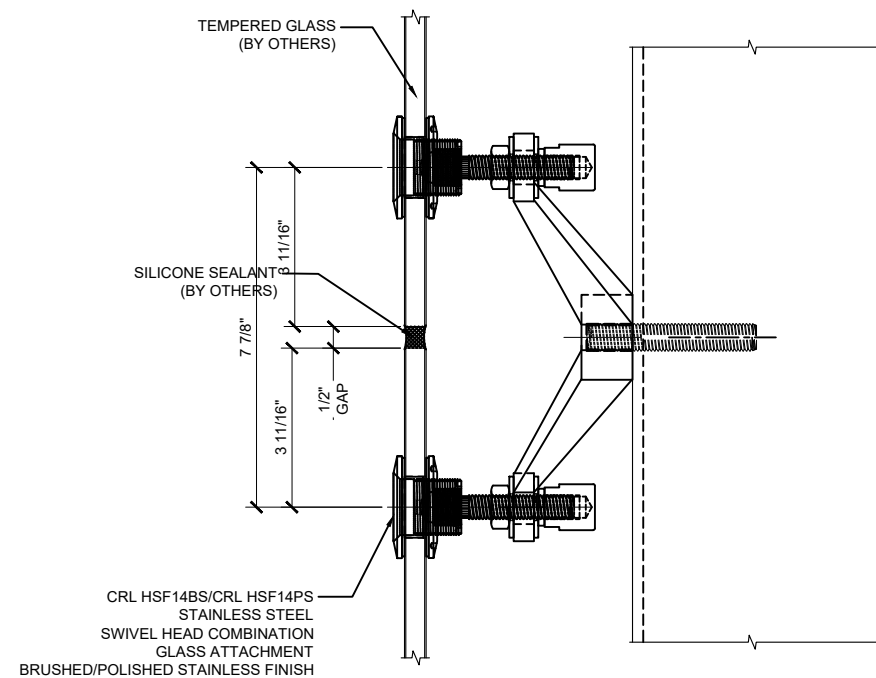
② TOP VIEW
6"=1'-0"



④ AUXILIARY VIEW
6"=1'-0"



① ELEVATION
6"=1'-0"



③ RIGHT SIDE
6"=1'-0"

3-WAY ARM HEAVY-DUTY POST MOUNT FITTING PMH3

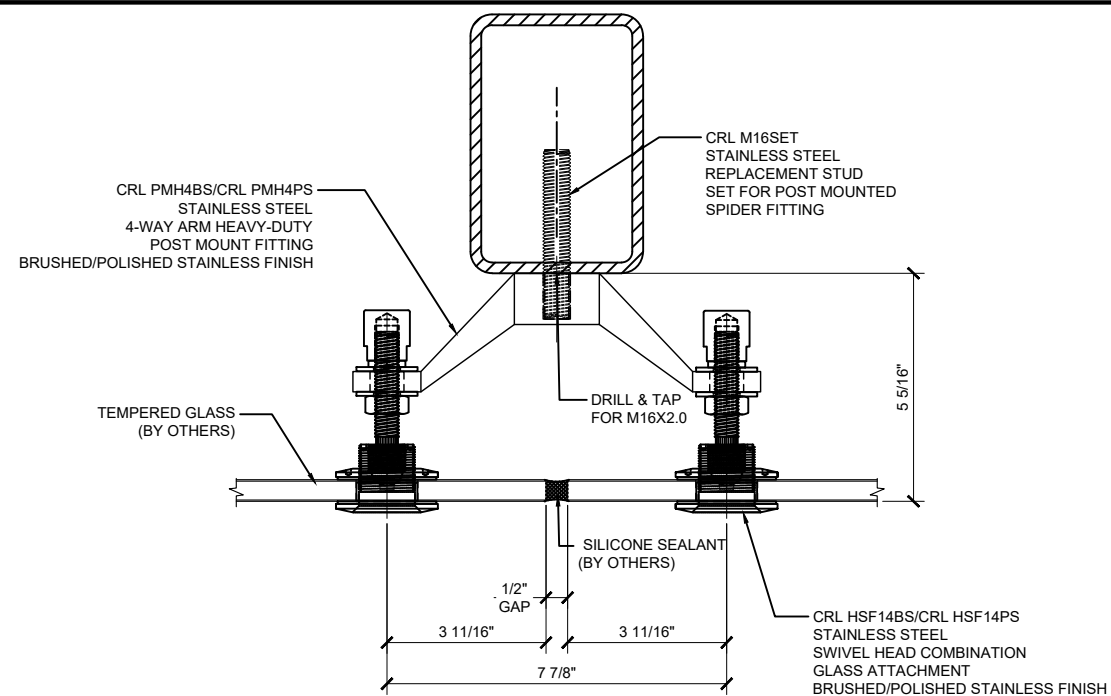
Revisions By:

CRL

2503 E. Vernon Avenue, Los Angeles, CA 90058-1897
PH (800)-421-6144 FX 800-587-7501 www.crlaurence.com

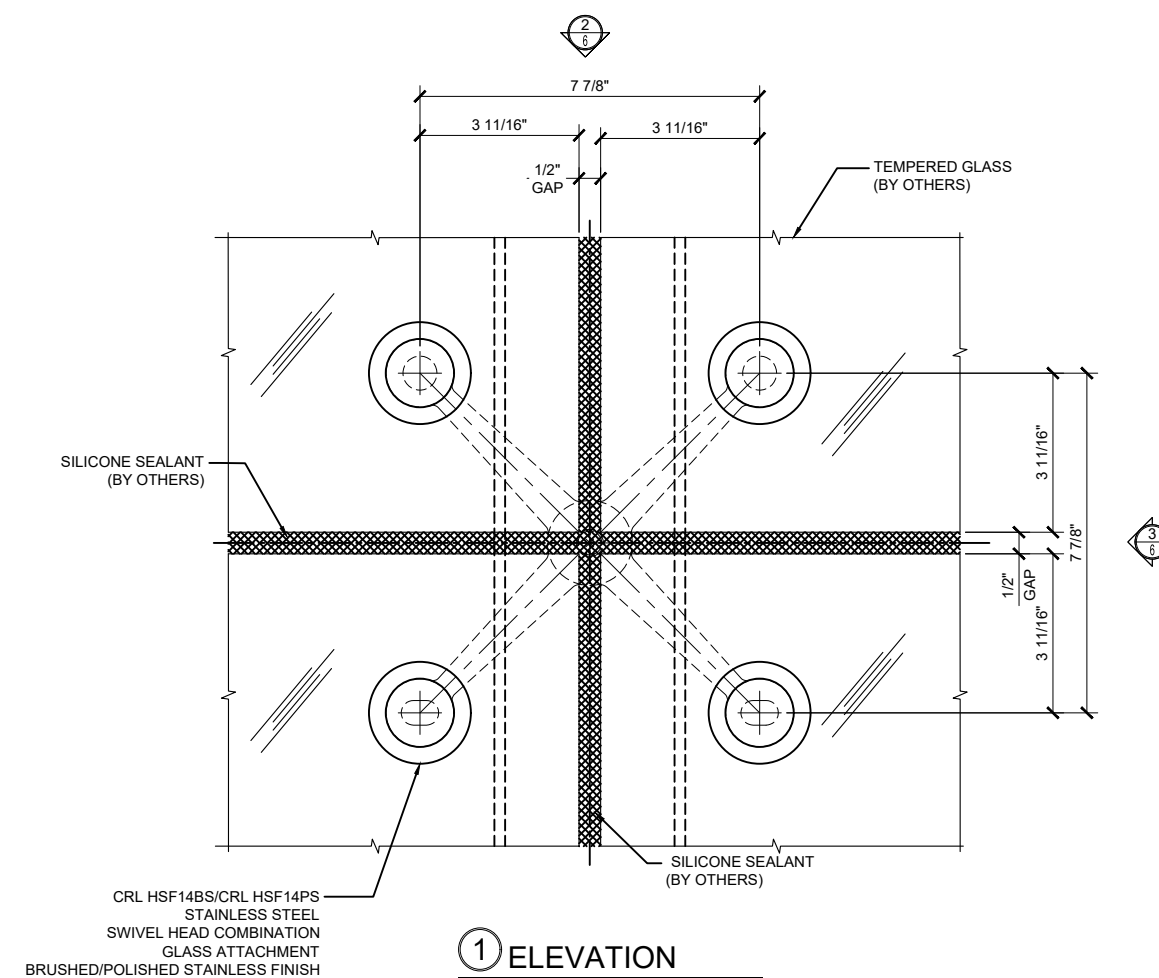
Description:
CRL SPIDER FITTINGS

Drawn By: JRM
Date: 4/4/17
Scale: 6"=1'-0"
File Name: Heavy Duty Spider Fittings.dwg
Sheet



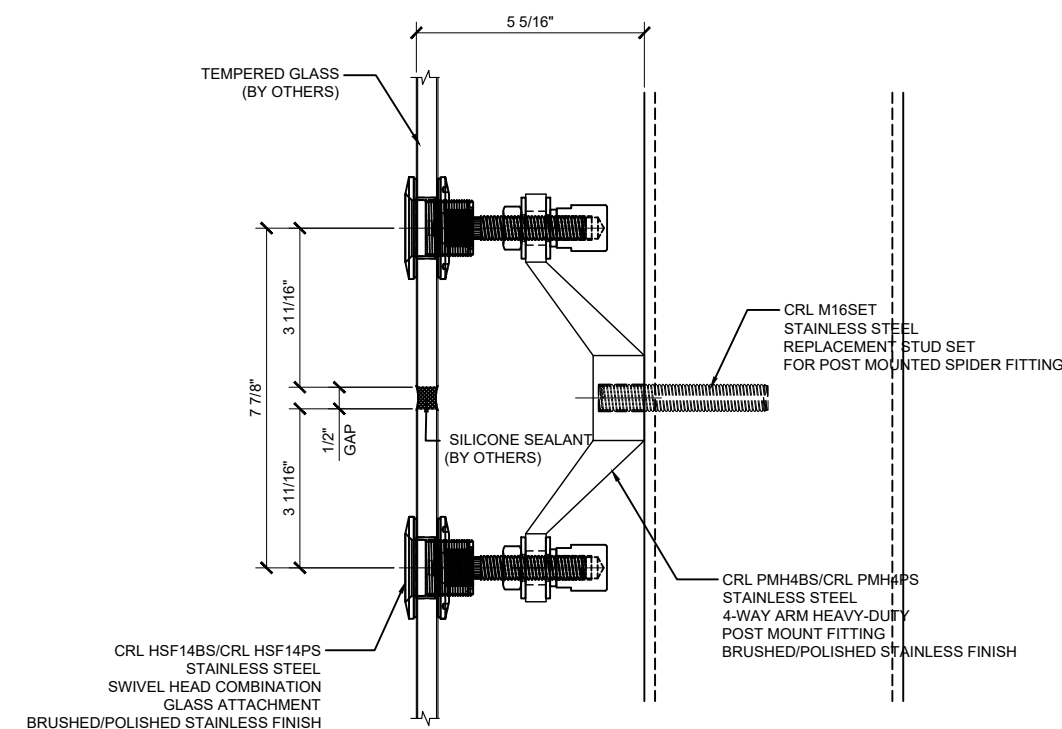
② TOP VIEW

6"=1'-0"



① ELEVATION

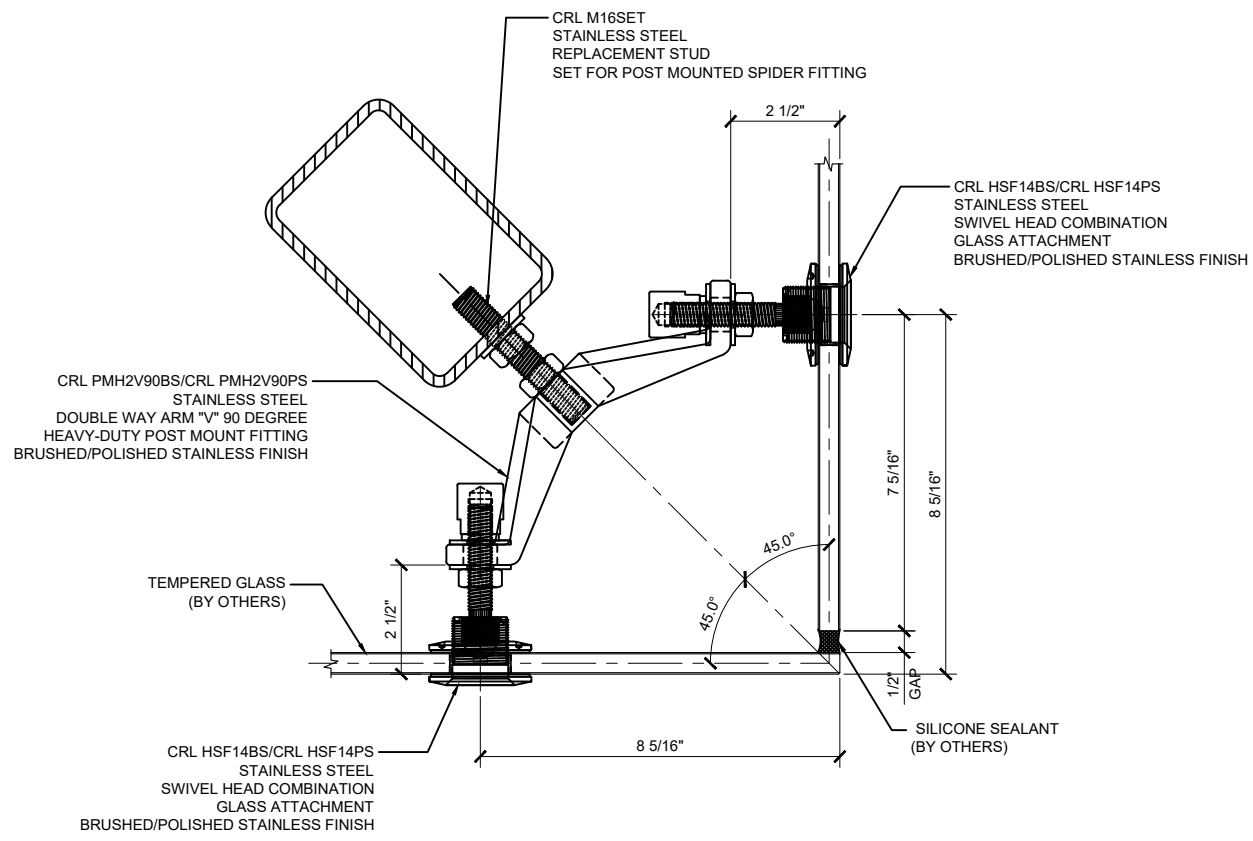
6"=1'-0"



③ RIGHT SIDE

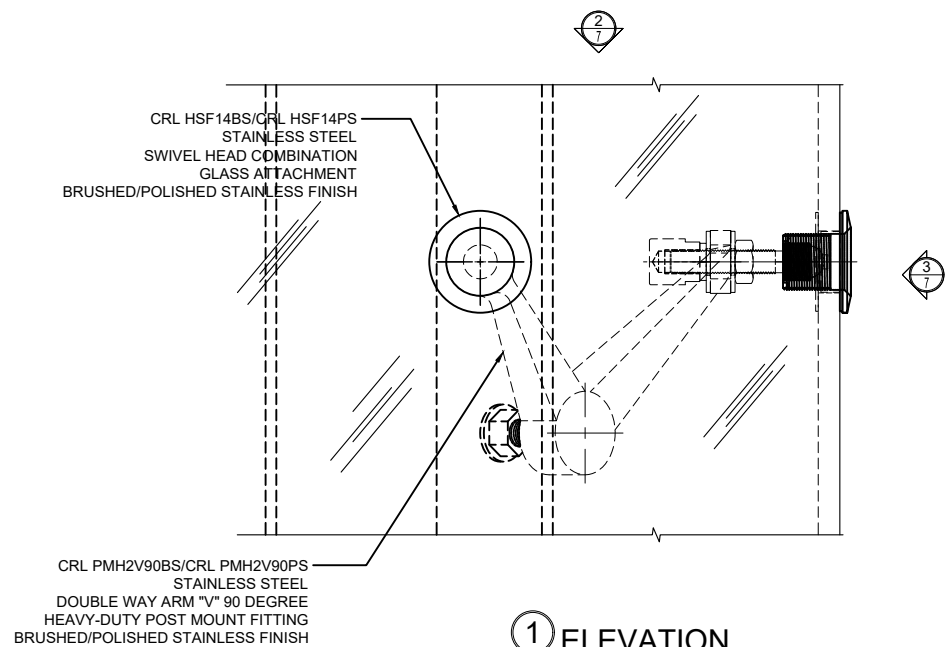
6"=1'-0"

4-WAY ARM HEAVY-DUTY POST MOUNT FITTING PMH4



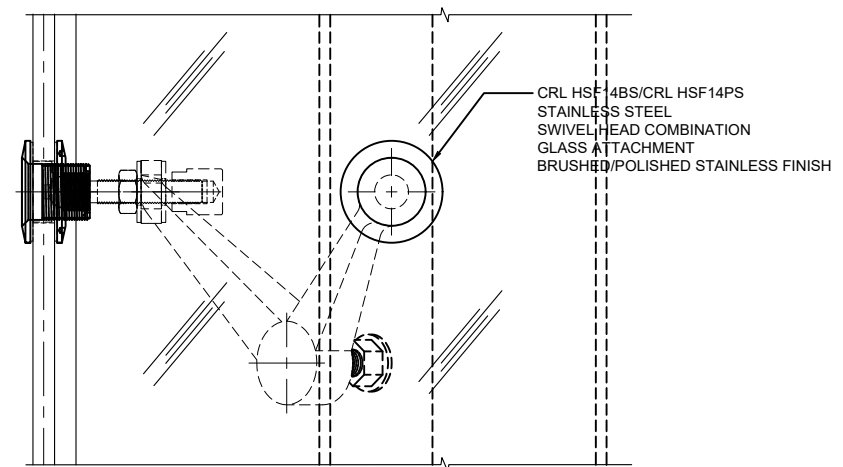
② TOP VIEW

6"=1'-0"



① ELEVATION

6"=1'-0"



③ RIGHT SIDE

6"=1'-0"

DOUBLE ARM "V" 90 DEGREE HEAVY-DUTY POST MOUNT FITTING PMH2V90

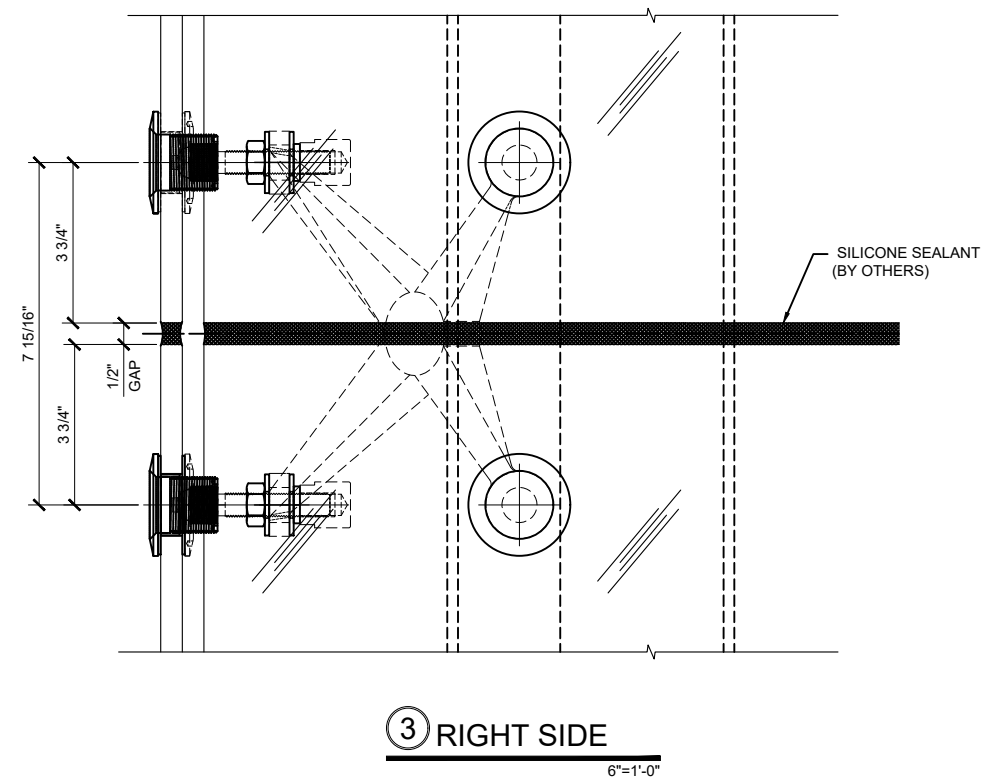
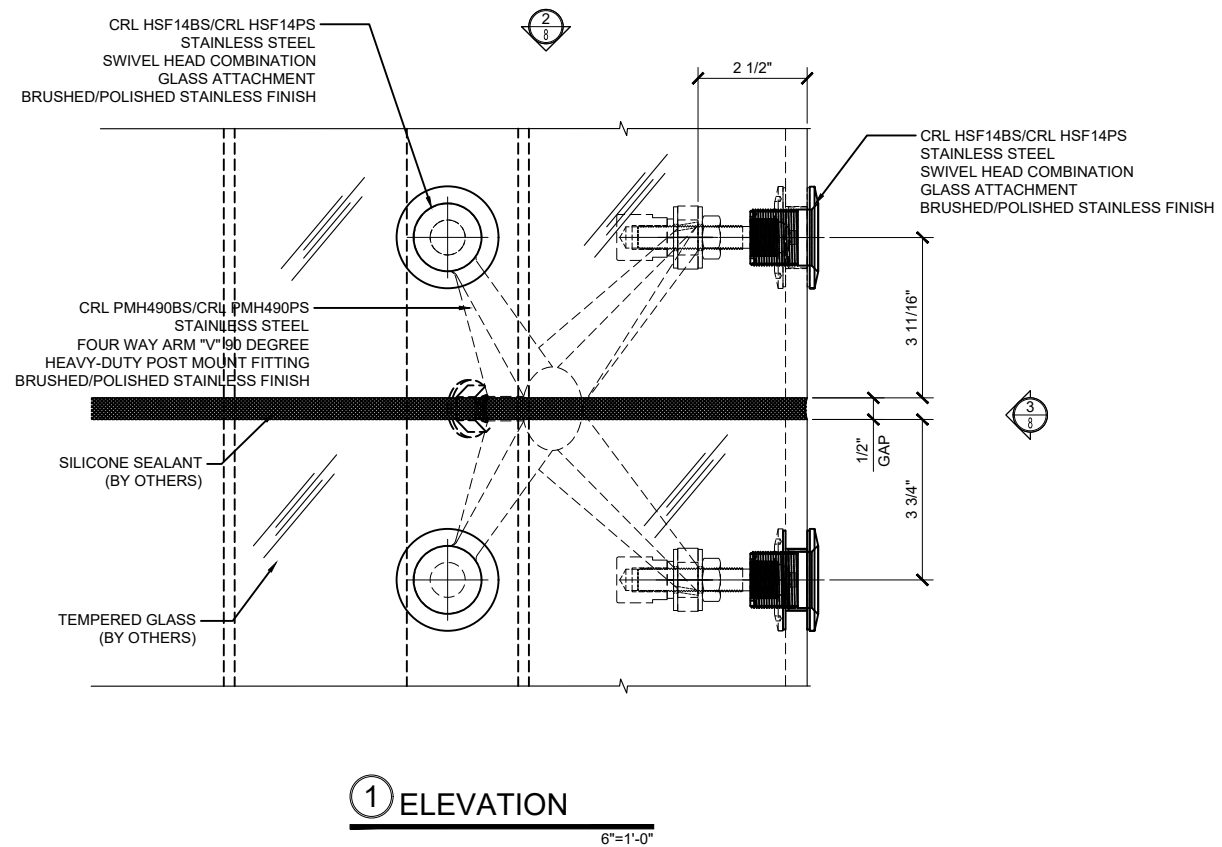
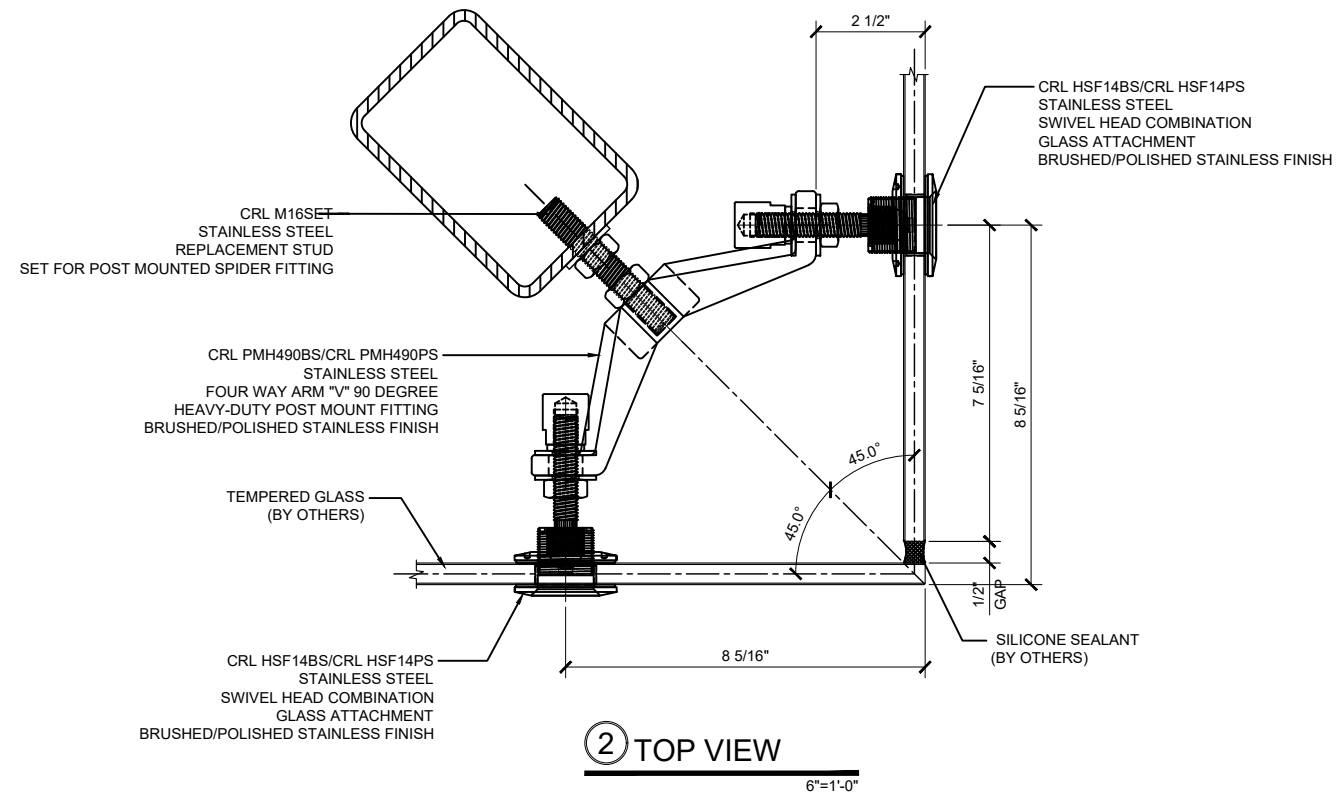
Revisions By:

CRL

2503 E. Vernon Avenue, Los Angeles, CA 90058-1897
PH (800)-421-6144 FX: 800-587-7501 www.crlaurence.com

Description:
CRL SPIDER FITTINGS

Drawn By: JRM
Date: 4/4/17
Scale: 6"=1'-0"
File Name:
Heavy Duty Spider Fittings.dwg
Sheet



4-WAY ARM 90 DEGREE HEAVY-DUTY POST MOUNT FITTING PMH490

Revisions By:

CRL

2503 E. Vernon Avenue, Los Angeles, CA 90058-1897
 PH (800)-421-6144 FX: 800-587-7501 www.crlaurence.com

Description:
 CRL SPIDER FITTINGS

Drawn By: JRM
 Date: 4/4/17
 Scale: 6"=1'-0"
 File Name:
 Heavy Duty Spider Fittings.dwg
 Sheet

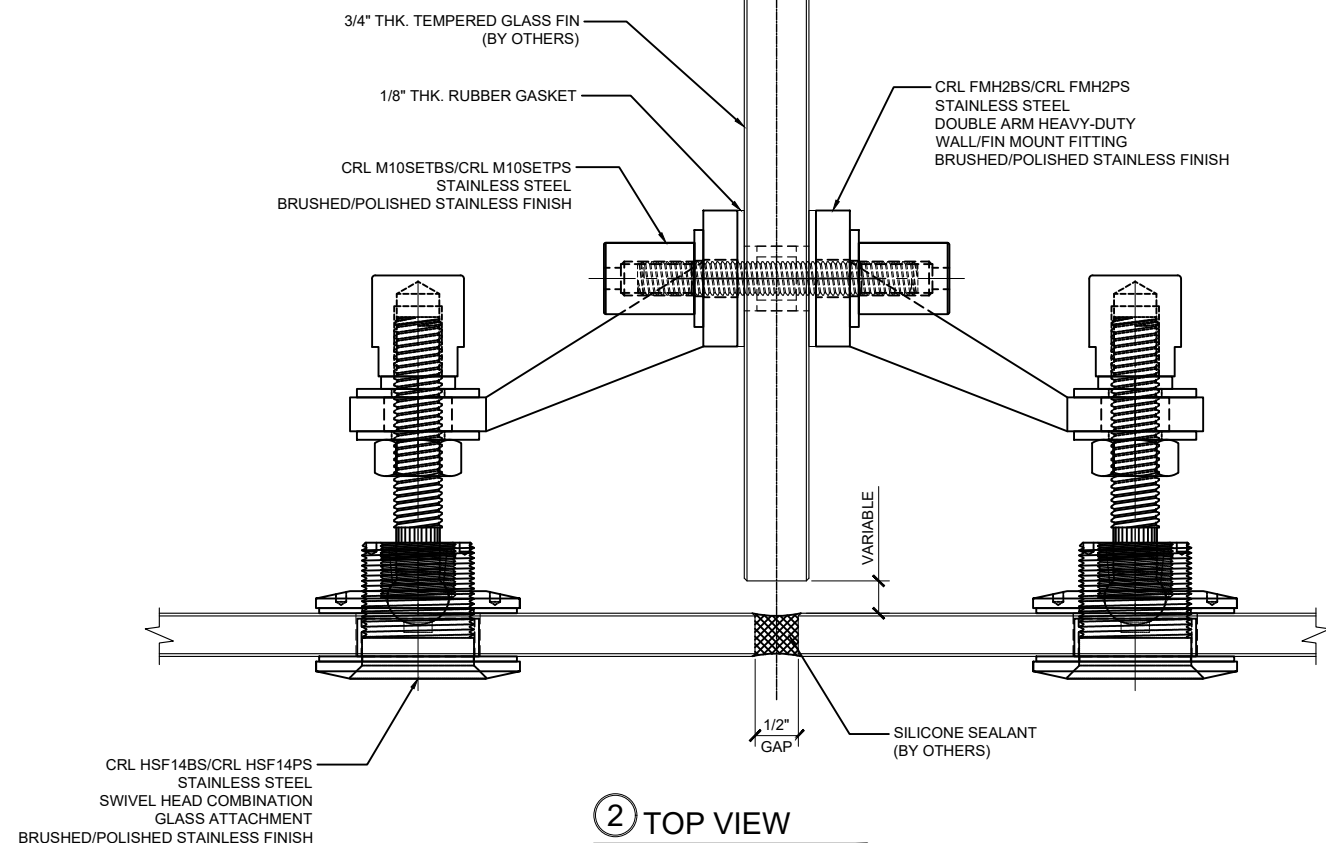
Revisions By:

CRL

2503 E. Vernon Avenue, Los Angeles, CA 90058-1897
PH (800)-421-6144 FX: 800-587-7501 www.crlaurence.com

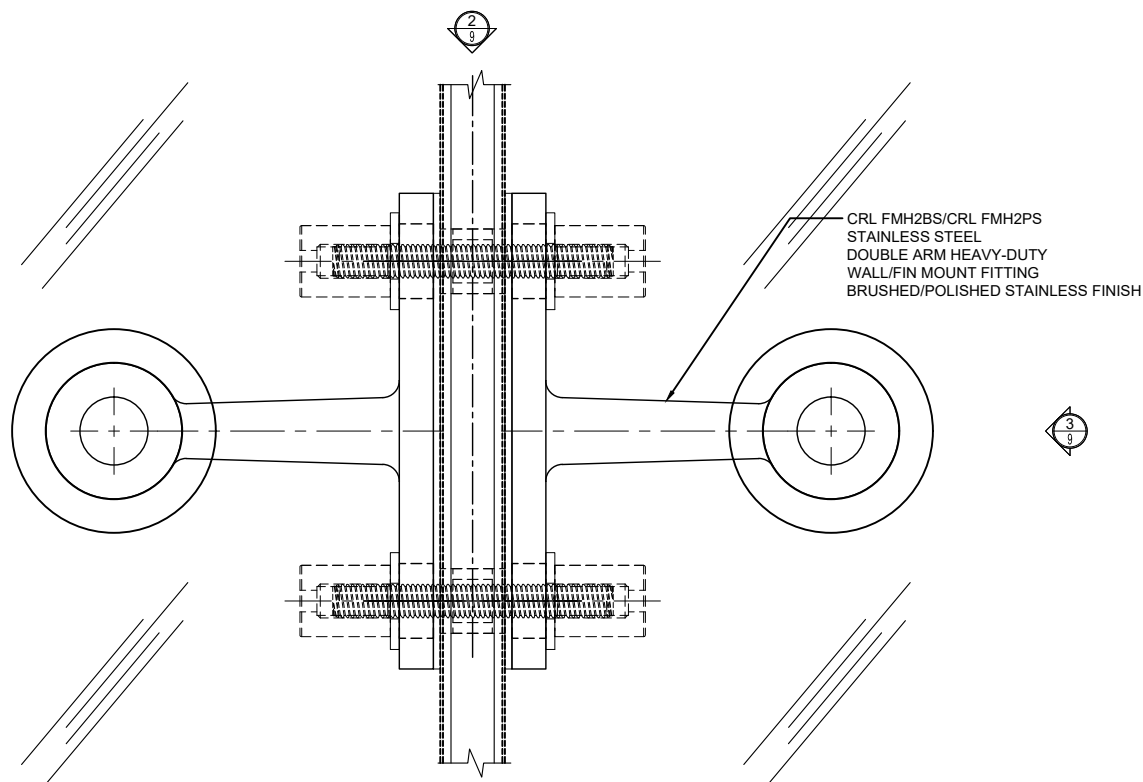
Description:
CRL SPIDER FITTINGS

Drawn By: JRM
Date: 4/4/17
Scale: FULL
File Name: Heavy Duty Spider Fittings.dwg
Sheet



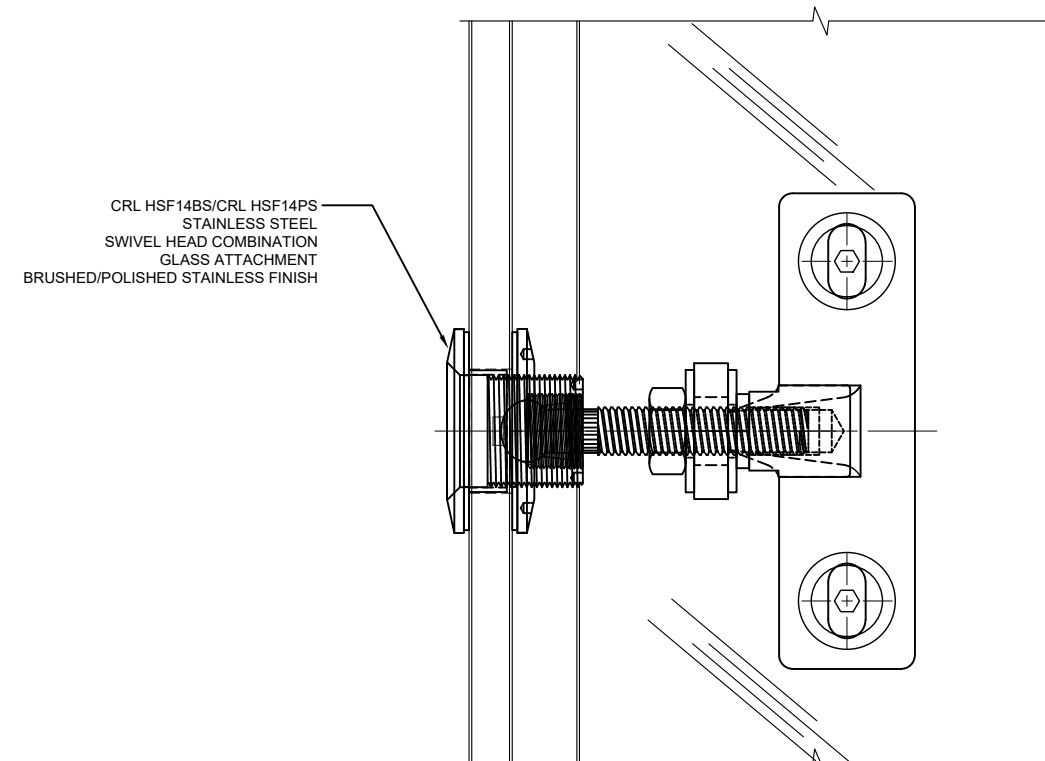
② TOP VIEW

1'-0"=1'-0"



① ELEVATION

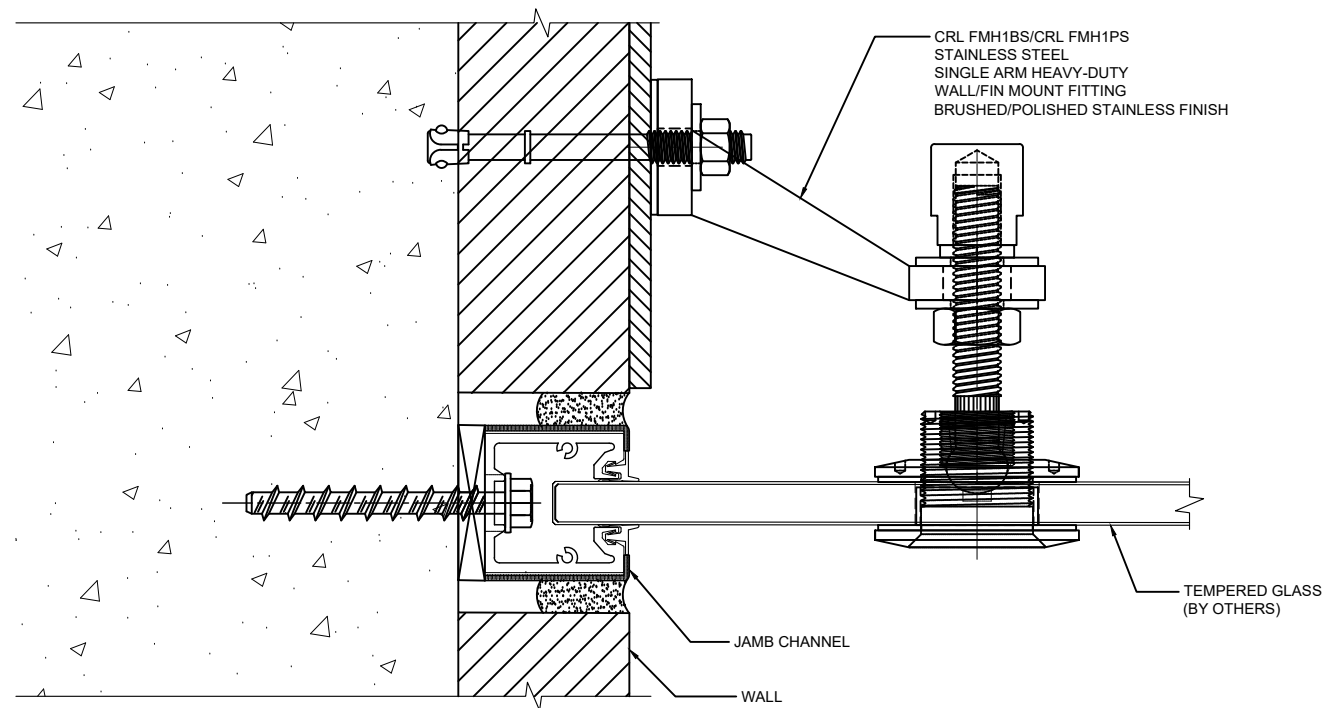
1'-0"=1'-0"



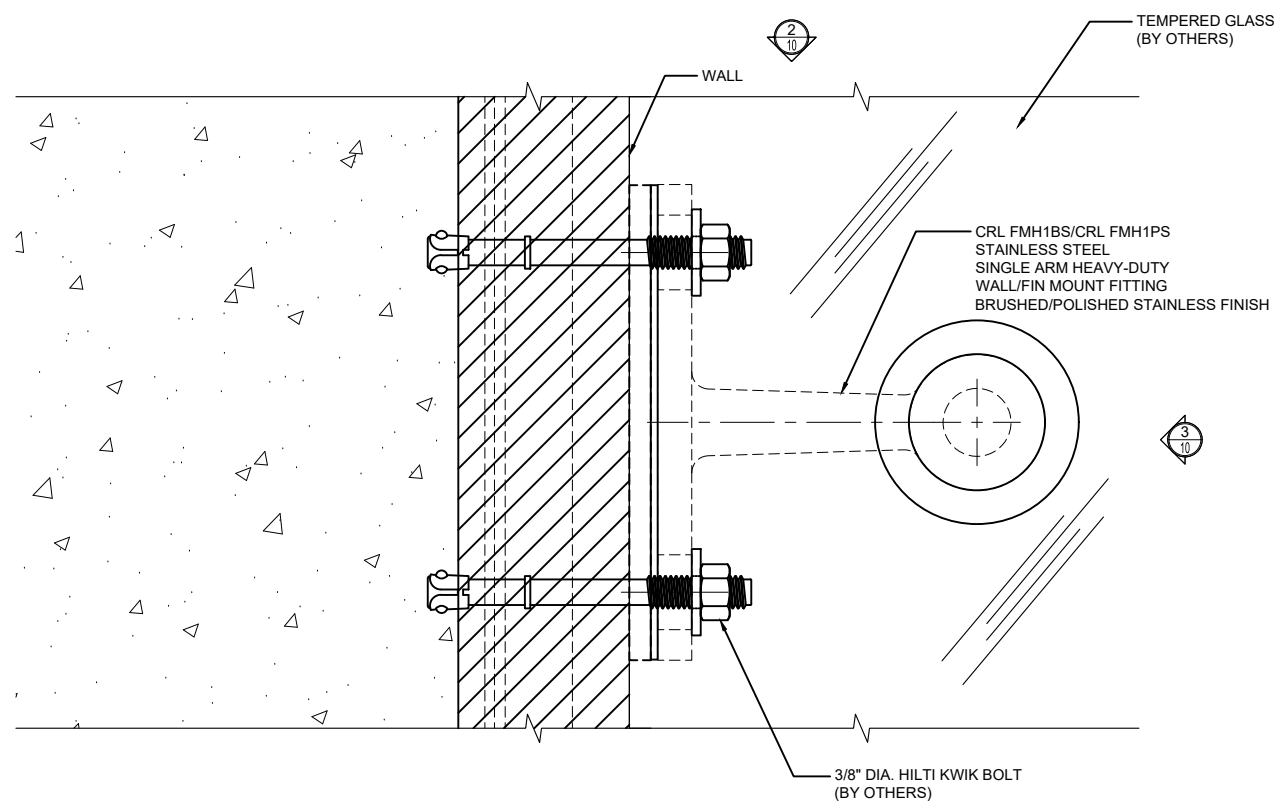
③ LEFT SIDE

1'-0"=1'-0"

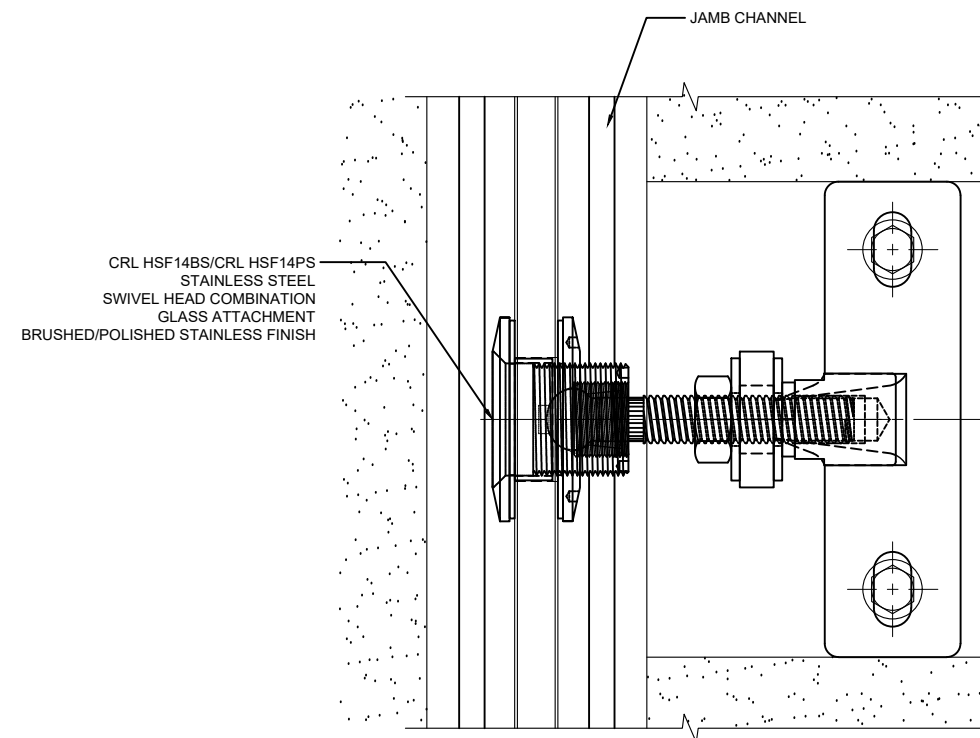
DOUBLE ARM HEAVY-DUTY WALL/FIN MOUNT FITTING FMH2



② TOP VIEW
1'-0"=1'-0"



① ELEVATION
1'-0"=1'-0"



③ RIGHT SIDE
1'-0"=1'-0"

SINGLE ARM HEAVY-DUTY WALL/FIN MOUNT FITTING FMH1

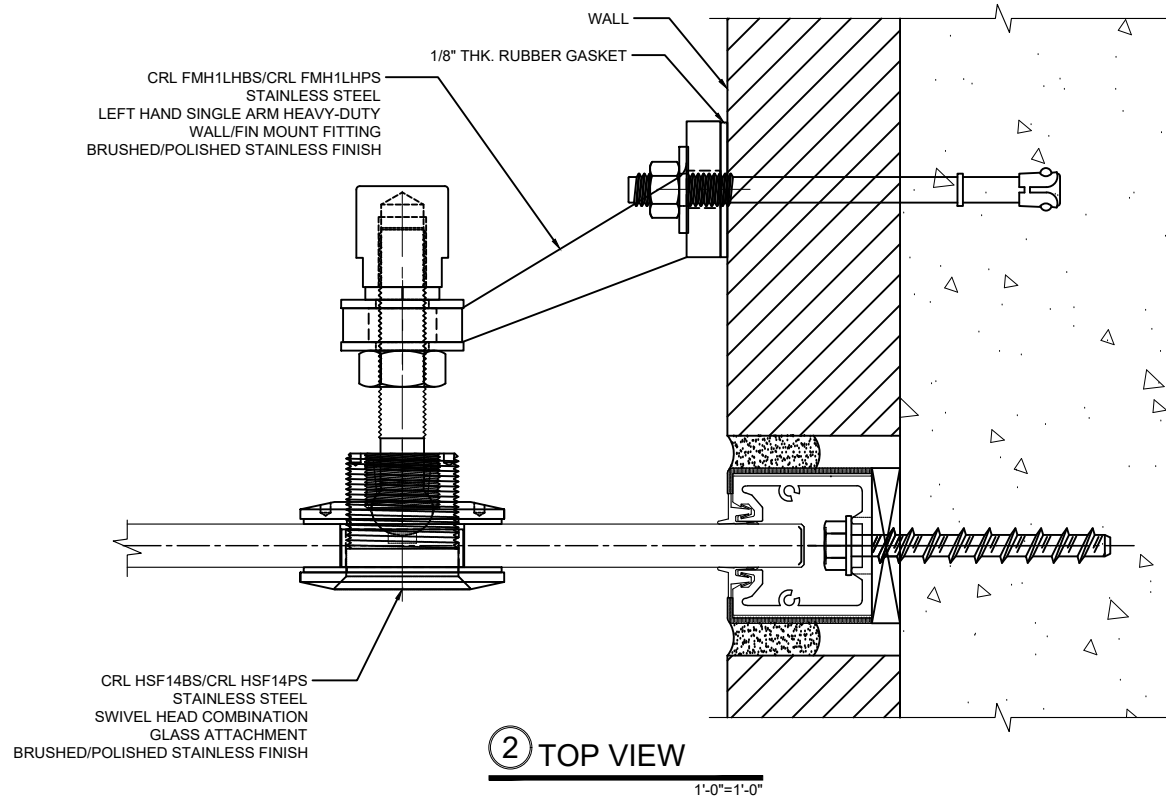
Revisions By:

CRL

2503 E. Vernon Avenue, Los Angeles, CA 90058-1897
PH (800)-421-6144 FX: 800-587-7501 www.crlaurence.com

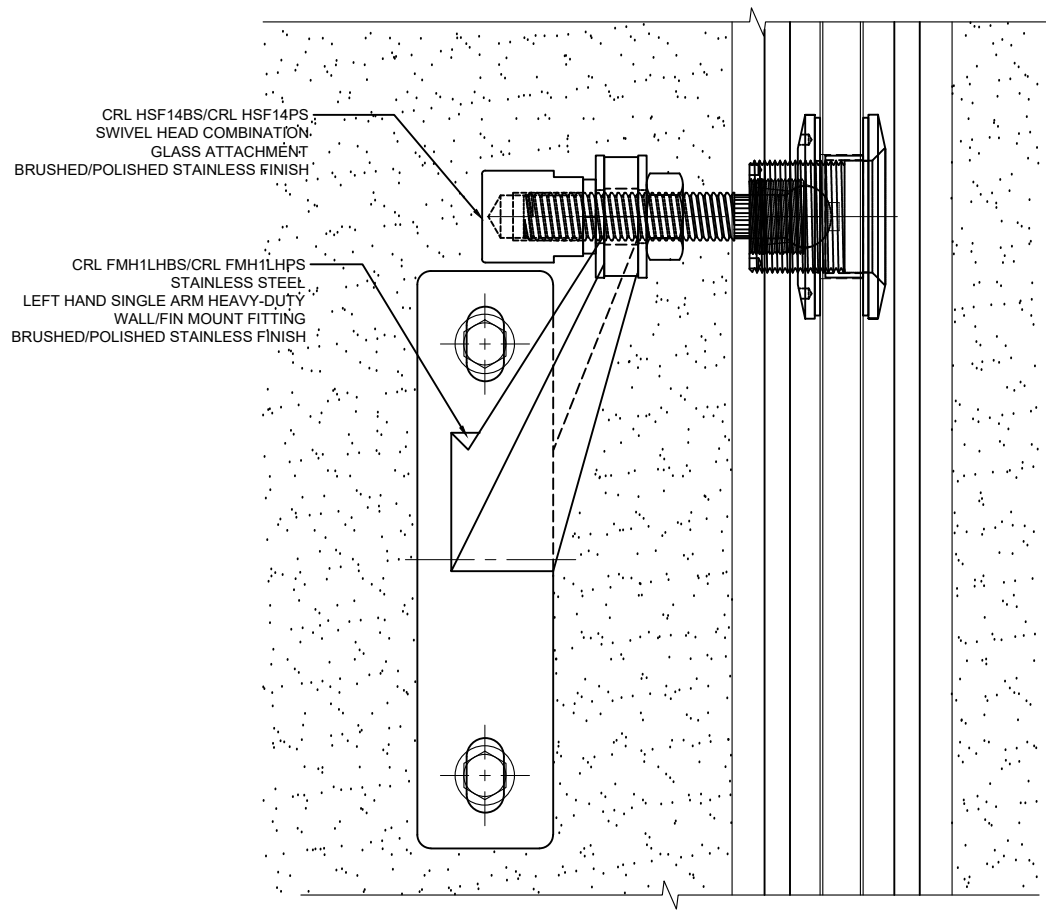
Description:
CRL SPIDER FITTINGS

Drawn By: JRM
Date: 4/4/17
Scale: FULL
File Name: Heavy Duty Spider Fittings.dwg
Sheet



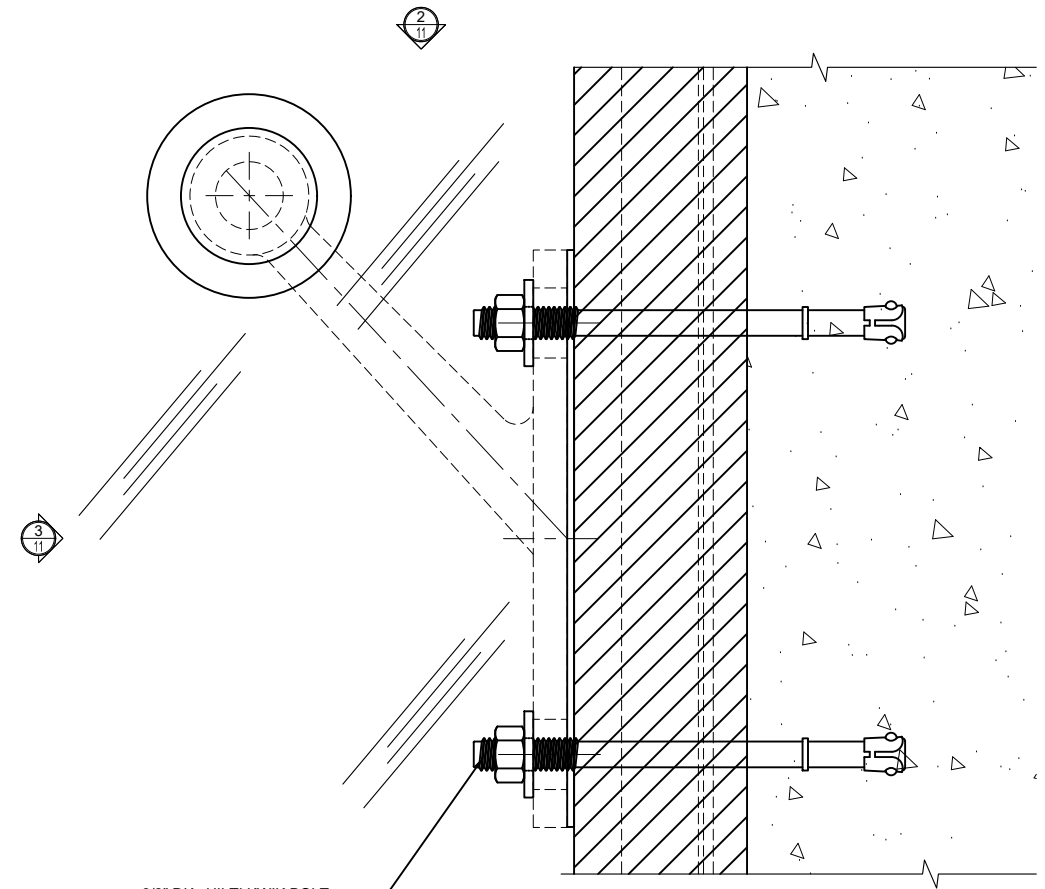
② TOP VIEW

1'-0"=1'-0"



③ LEFT SIDE

1'-0"=1'-0"



① ELEVATION

1'-0"=1'-0"

LEFT HAND SINGLE ARM HEAVY-DUTY WALL/FIN MOUNT FITTING FMH1LH

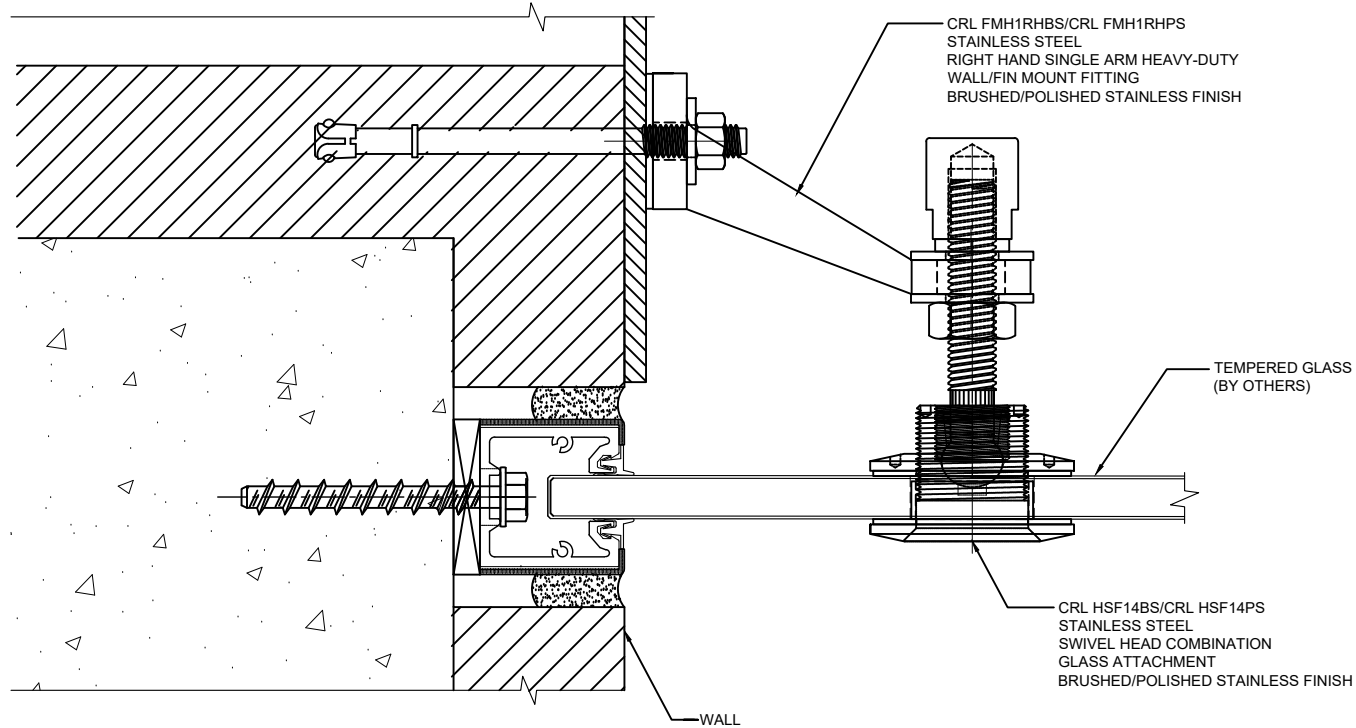
Revisions By:

CRL

2503 E. Vernon Avenue, Los Angeles, CA 90058-1897
PH (800)-421-6144 FX: 800-587-7501 www.crlaurence.com

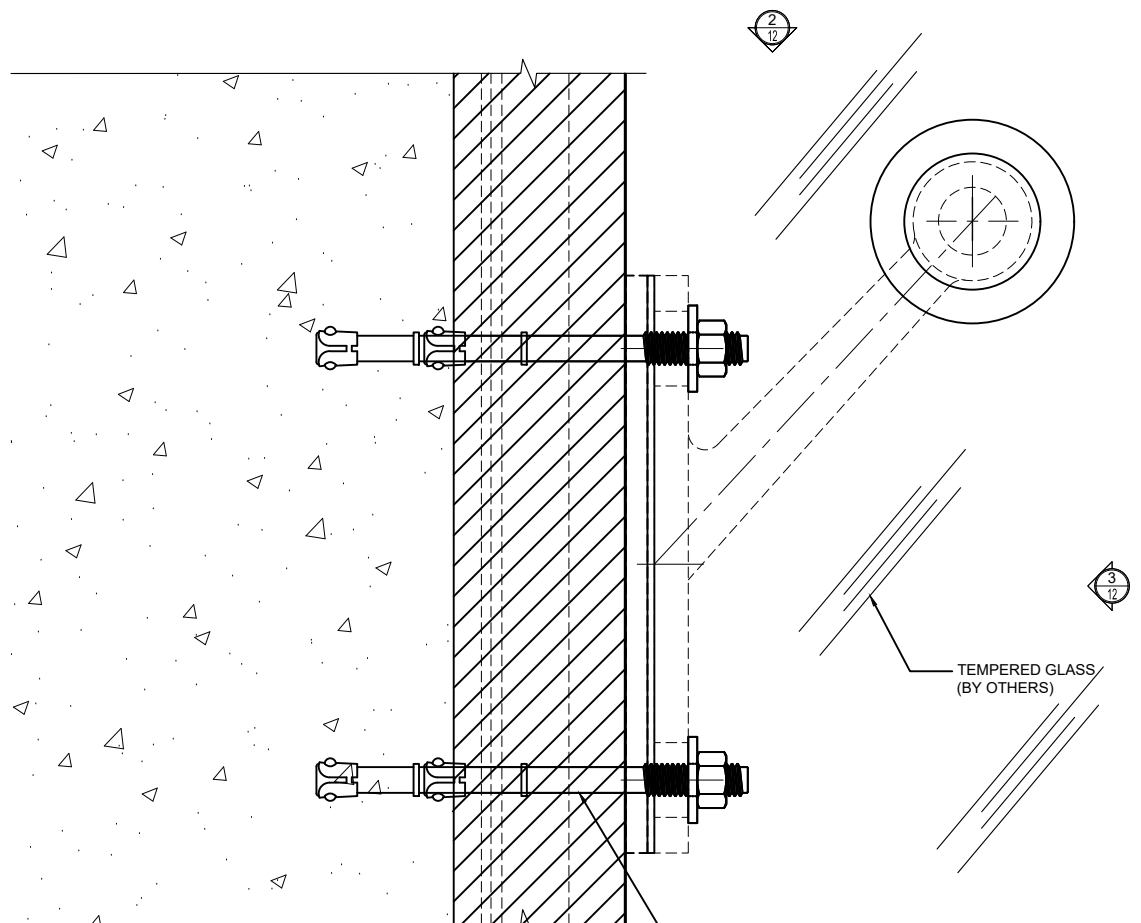
Description:
CRL SPIDER FITTINGS

Drawn By: JRM
Date: 4/4/17
Scale: FULL
File Name: Heavy Duty Spider Fittings.dwg
Sheet



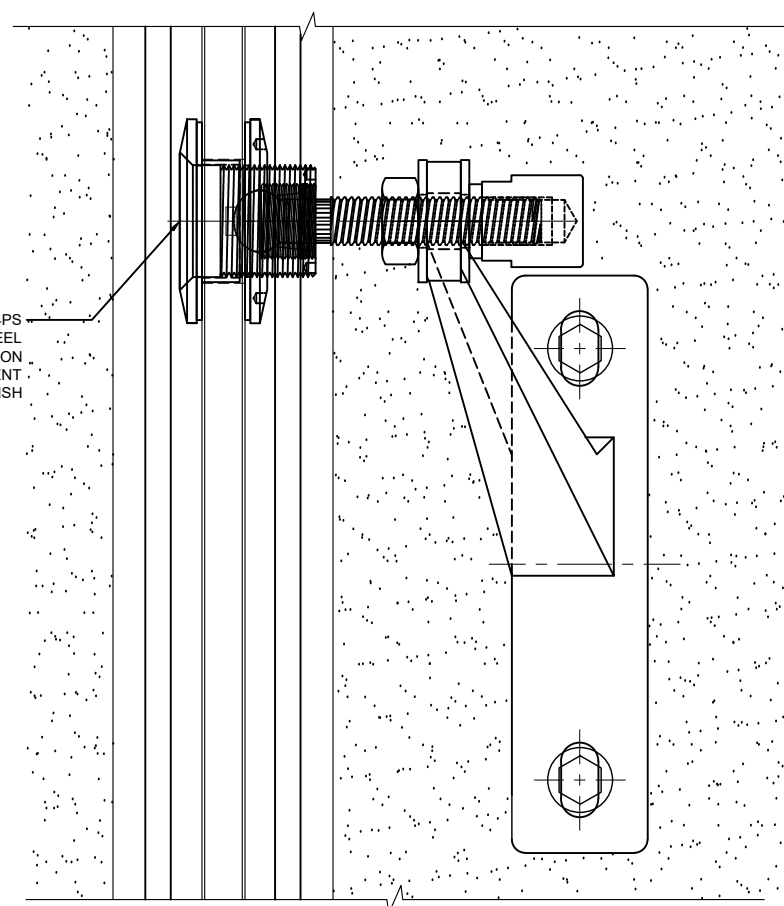
② TOP VIEW

1'-0"=1'-0"



① ELEVATION

1'-0"=1'-0"



③ RIGHT SIDE

1'-0"=1'-0"

RIGHT HAND SINGLE ARM HEAVY-DUTY WALL/FIN MOUNT FITTING FMH1RH

Revisions By:

CRL

2503 E. Vernon Avenue, Los Angeles, CA 90058-1897
PH (800)-421-6144 FX: 800-587-7501 www.crlaurence.com

Description:
CRL SPIDER FITTINGS

Drawn By: JRM

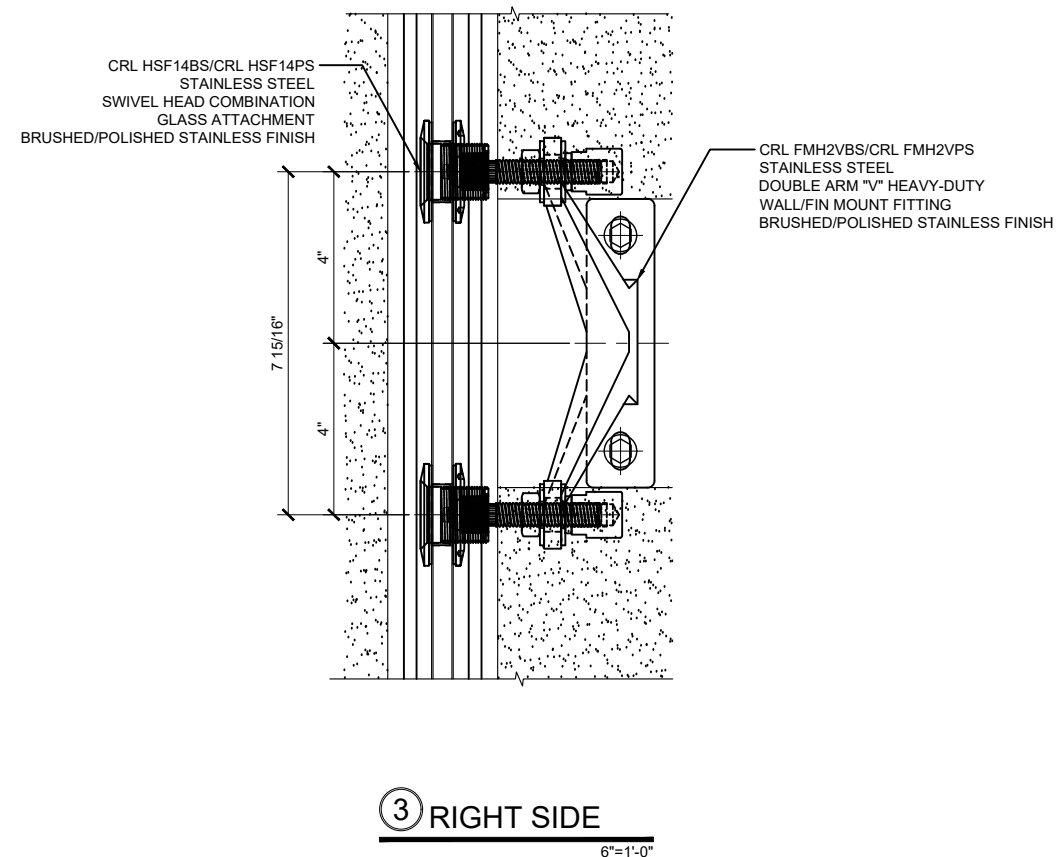
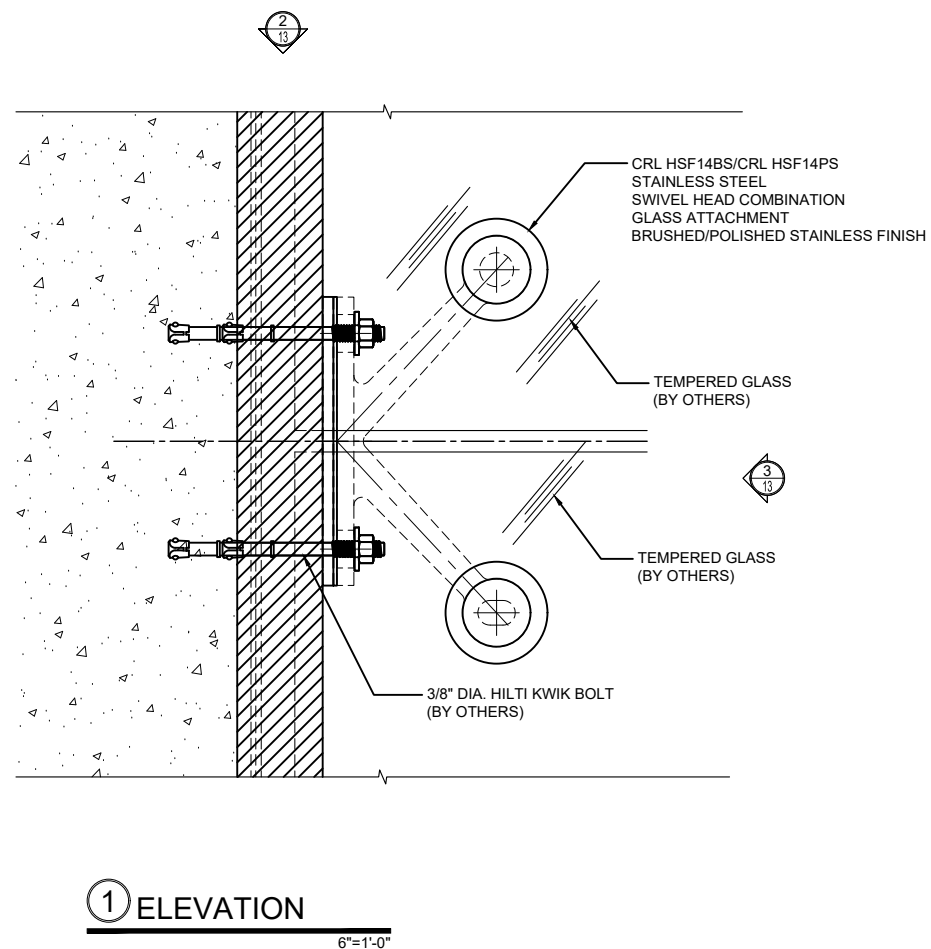
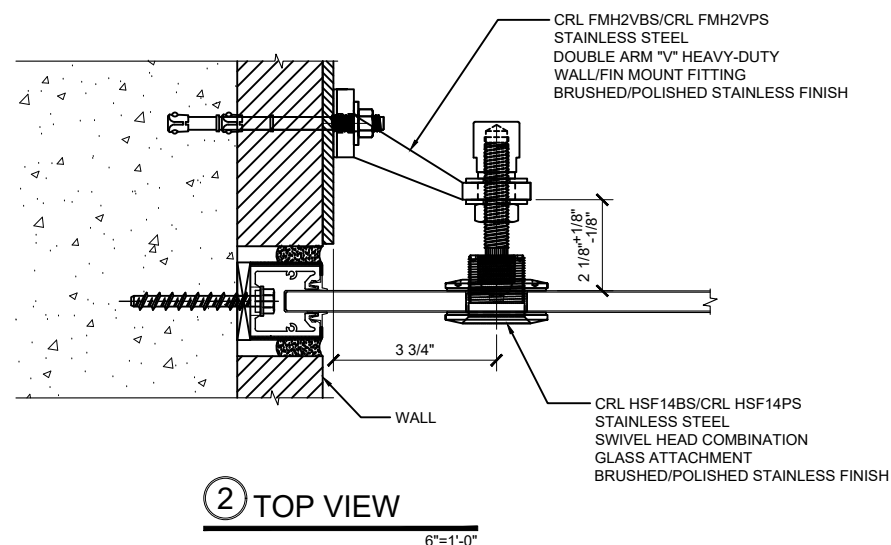
Date: 4/4/17

Scale: FULL

File Name: Heavy Duty Spider Fittings.dwg

Sheet

12



ASSEMBLY - DOUBLE ARM "V" HEAVY-DUTY WALL/FIN MOUNT FITTING FMH2V

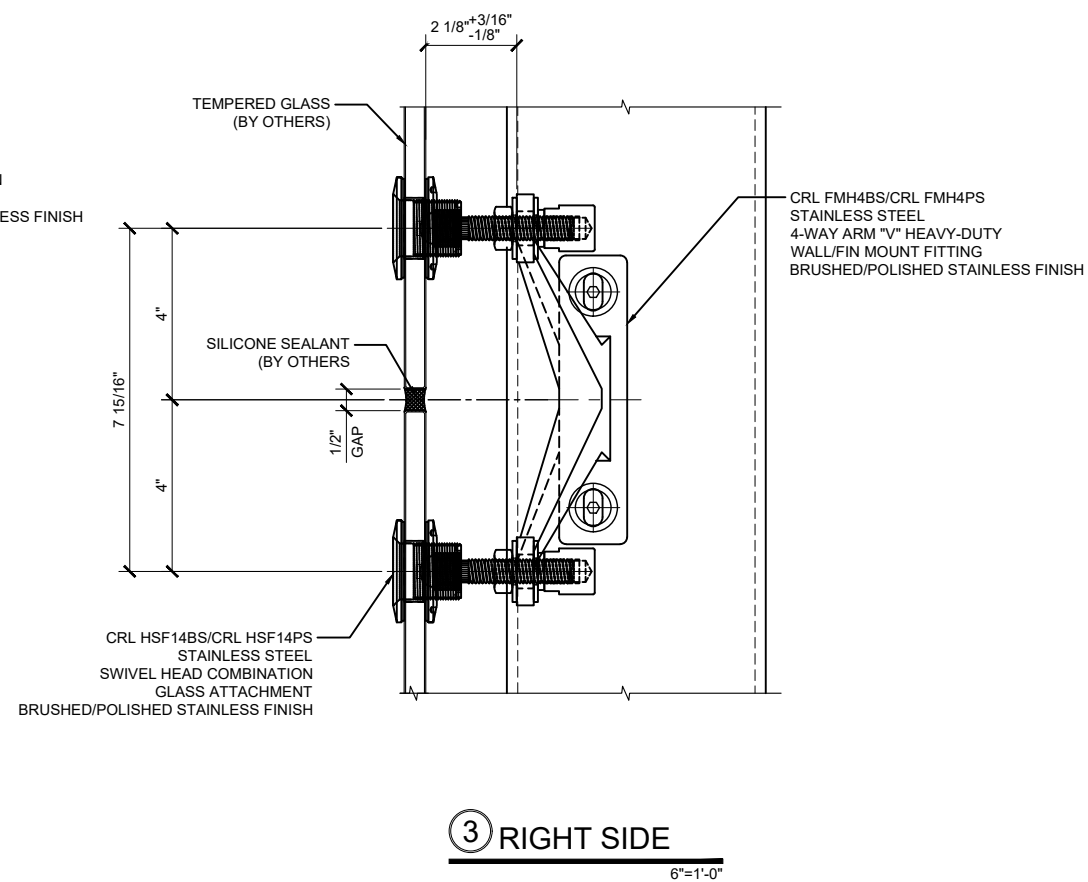
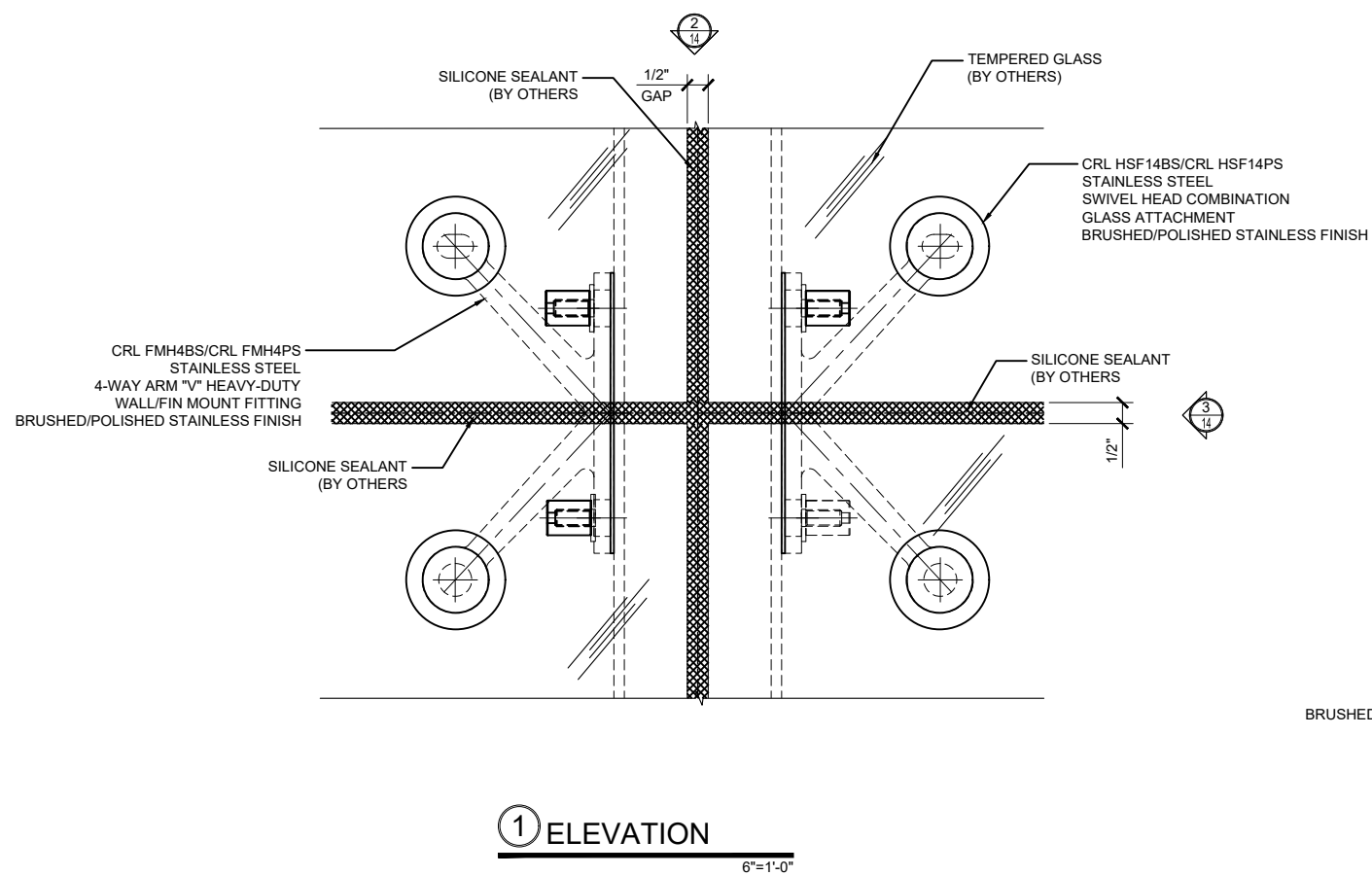
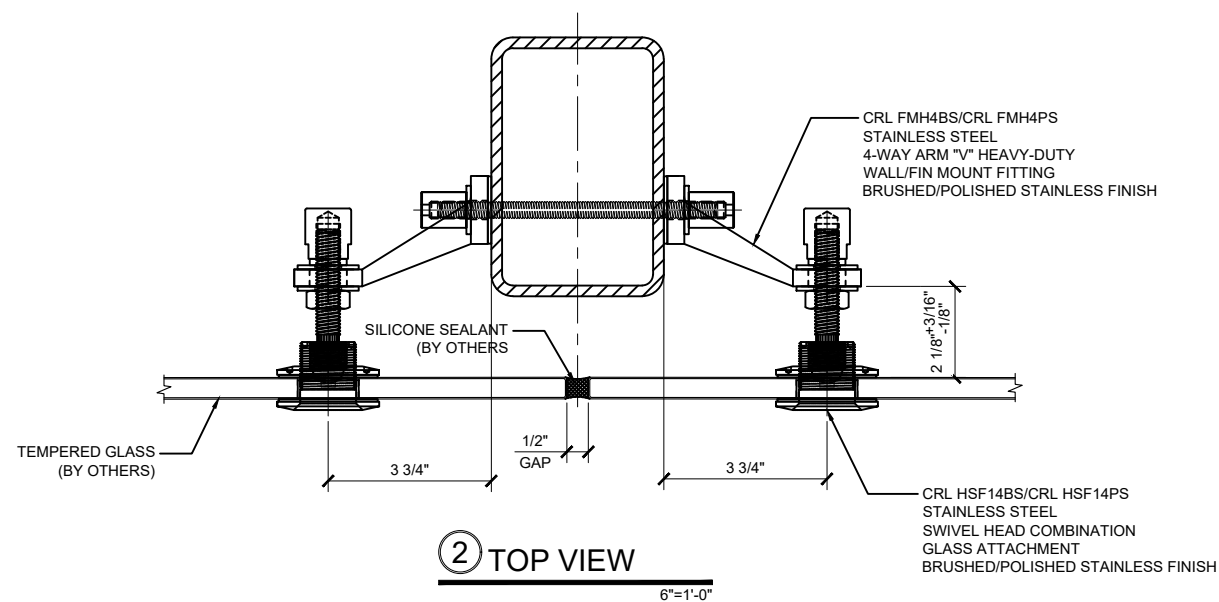
Description:
CRL SPIDER FITTINGS

Drawn By: JRM
Date: 4/4/17
Scale: 6"=1'-0"
File Name:
Heavy Duty Spider Fittings.dwg
Sheet

CRL

2503 E. Vernon Avenue, Los Angeles, CA 90058-1897
PH (800)-421-6144 FX: 800-587-7501 www.crlaurence.com

Revisions By:



ASSEMBLY - FOUR ARM "V" HEAVY-DUTY WALL/FIN MOUNT FITTING FMH4

Description:
CRL SPIDER FITTINGS

Drawn By: JRM
Date: 4/4/17
Scale: 6"=1'-0"
File Name: Heavy Duty Spider Fittings.dwg
Sheet

CRL

2503 E. Vernon Avenue, Los Angeles, CA 90058-1897
PH (800)-421-6144 FX: 800-587-7501 www.crlaurence.com

Revisions By:

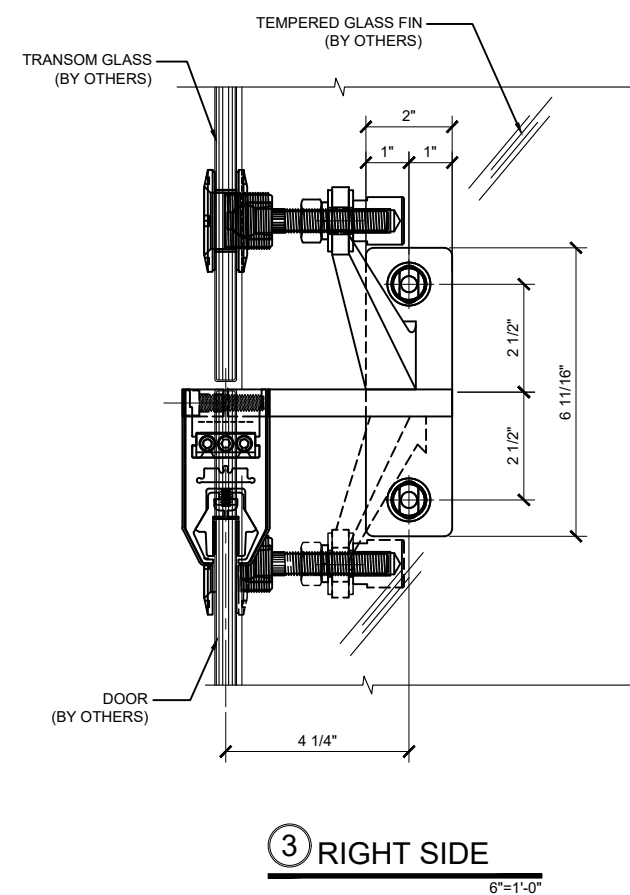
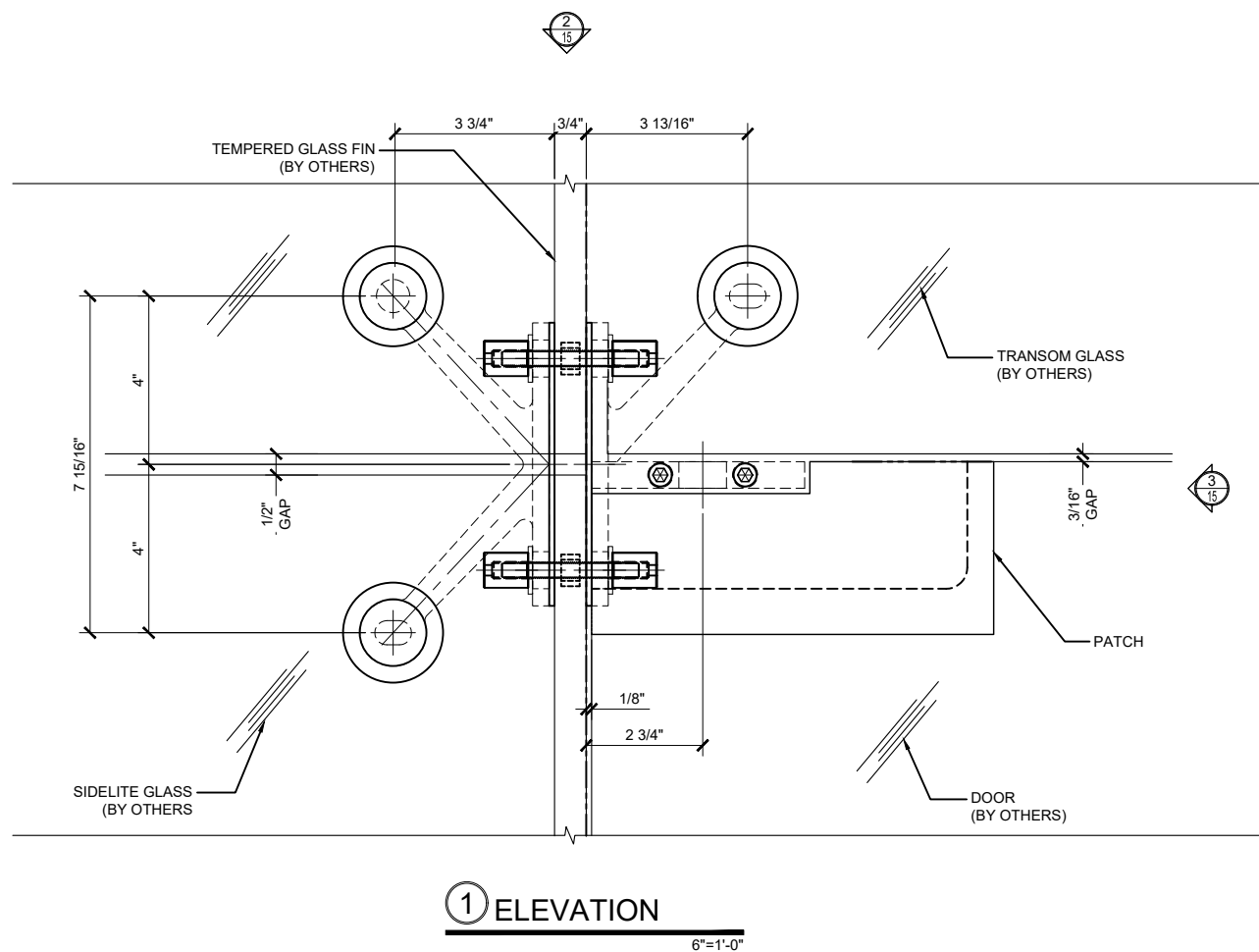
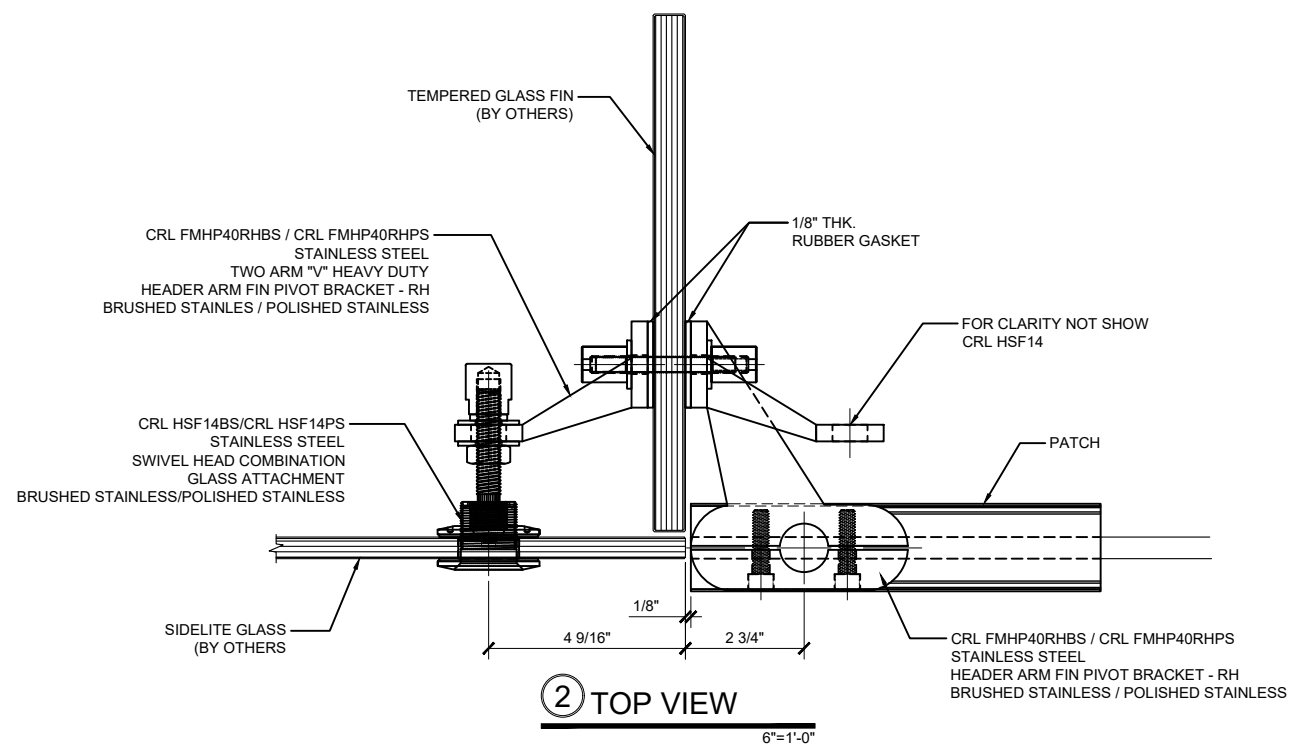
CRL

2503 E. Vernon Avenue, Los Angeles, CA 90058-1897
PH (800)-421-6144 FX: 800-587-7501 www.crlaurence.com

Description:
CRL SPIDER FITTINGS

Drawn By: JRM
Date: 4/4/17
Scale: 6"=1'-0"
File Name:
Heavy Duty Spider Fittings.dwg
Sheet

15



ASSEMBLY - HEADER ARM FIN PIVOT BRACKET - R.H. FMHP40RH

Revisions By:

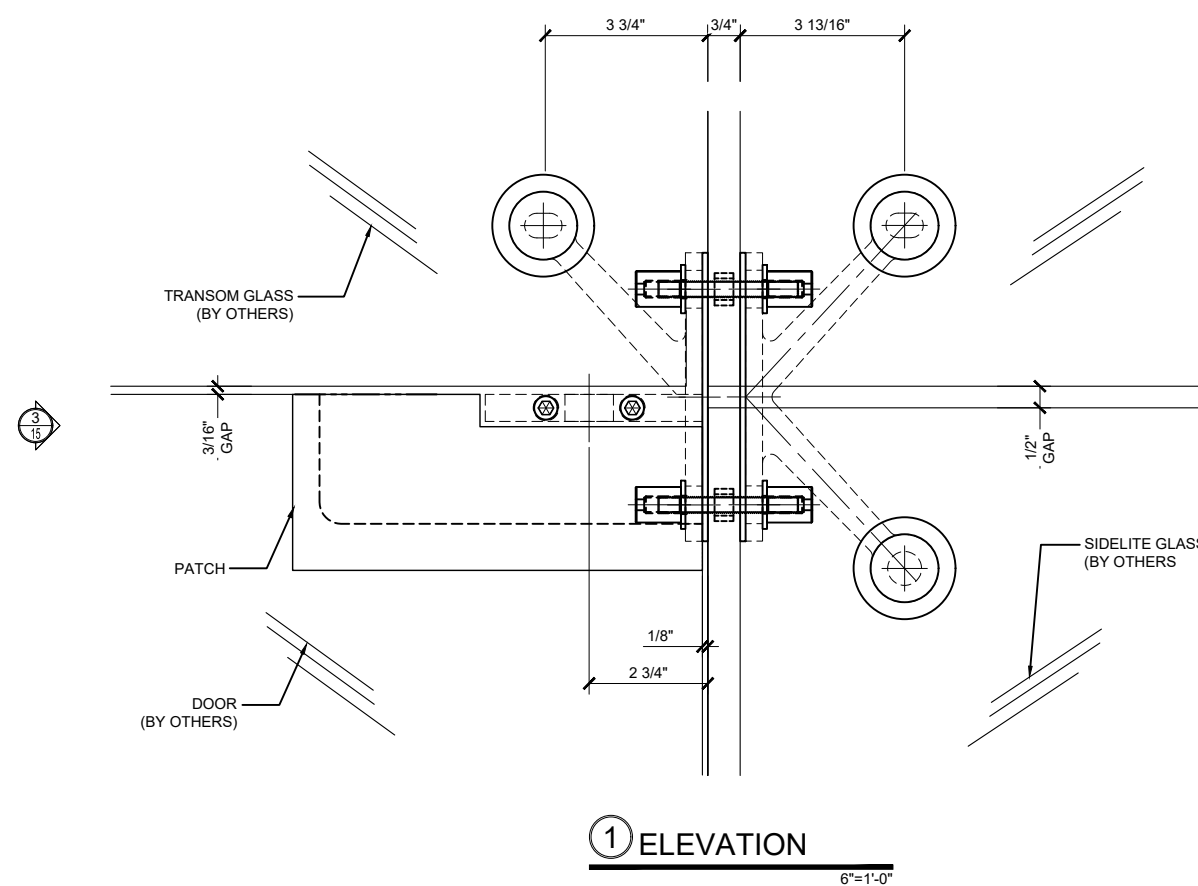
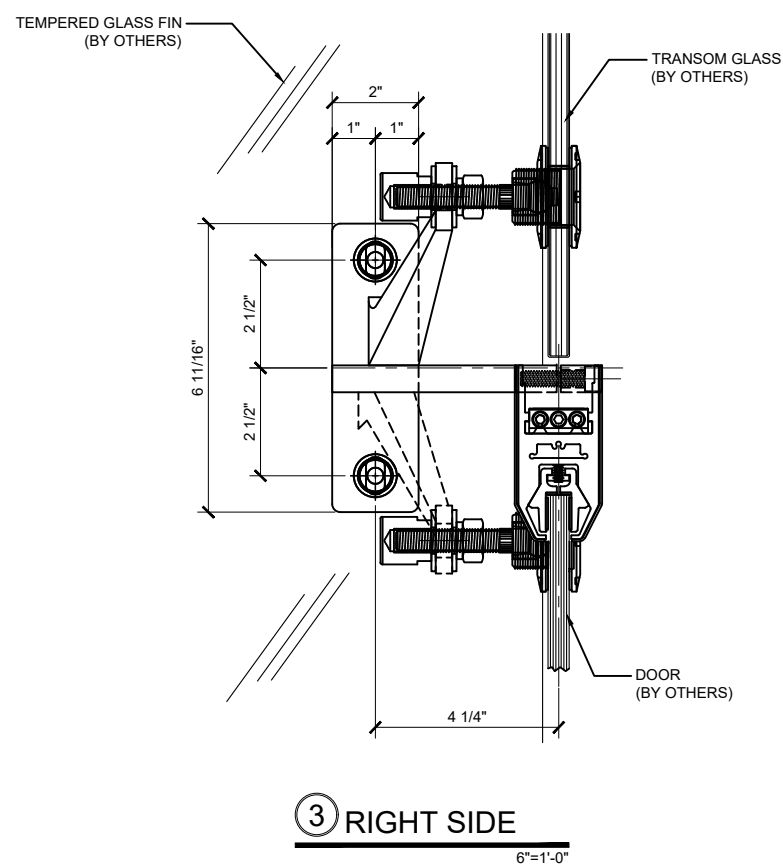
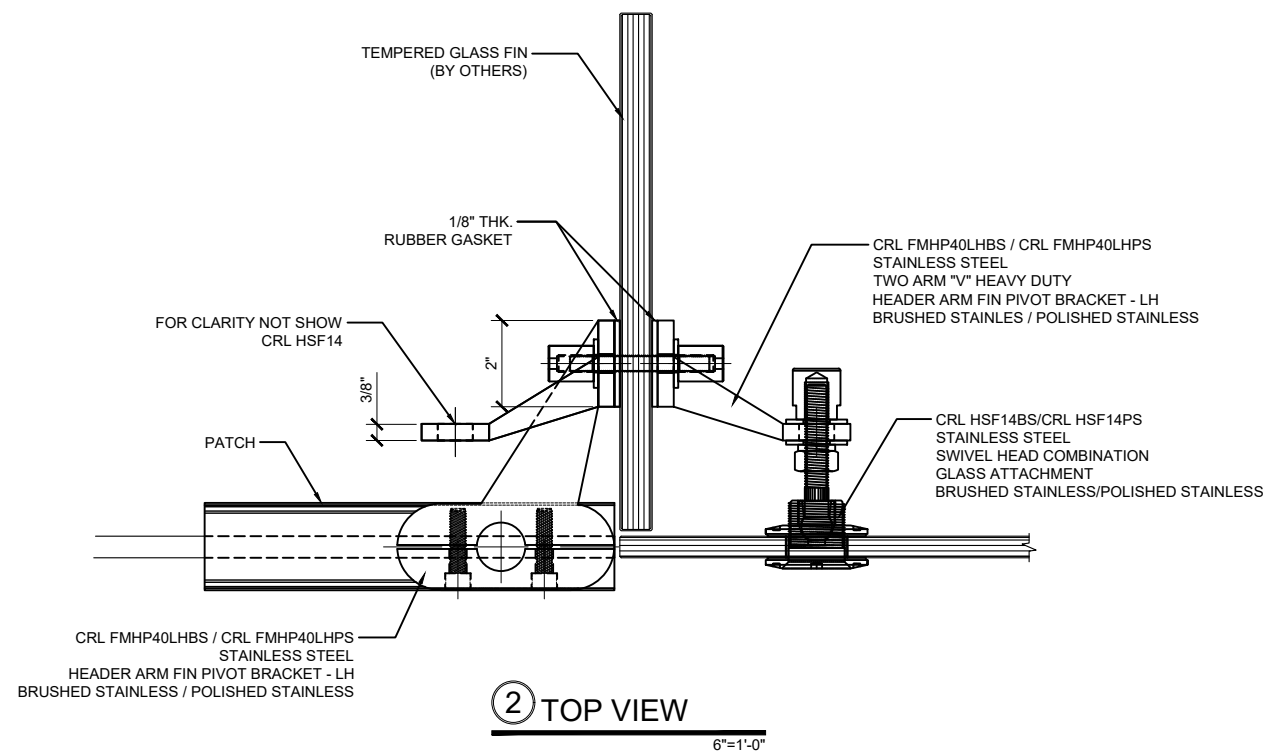
CRL

2503 E. Vernon Avenue, Los Angeles, CA 90058-1897
PH (800)-421-6144 FX: 800-587-7501 www.crlaurence.com

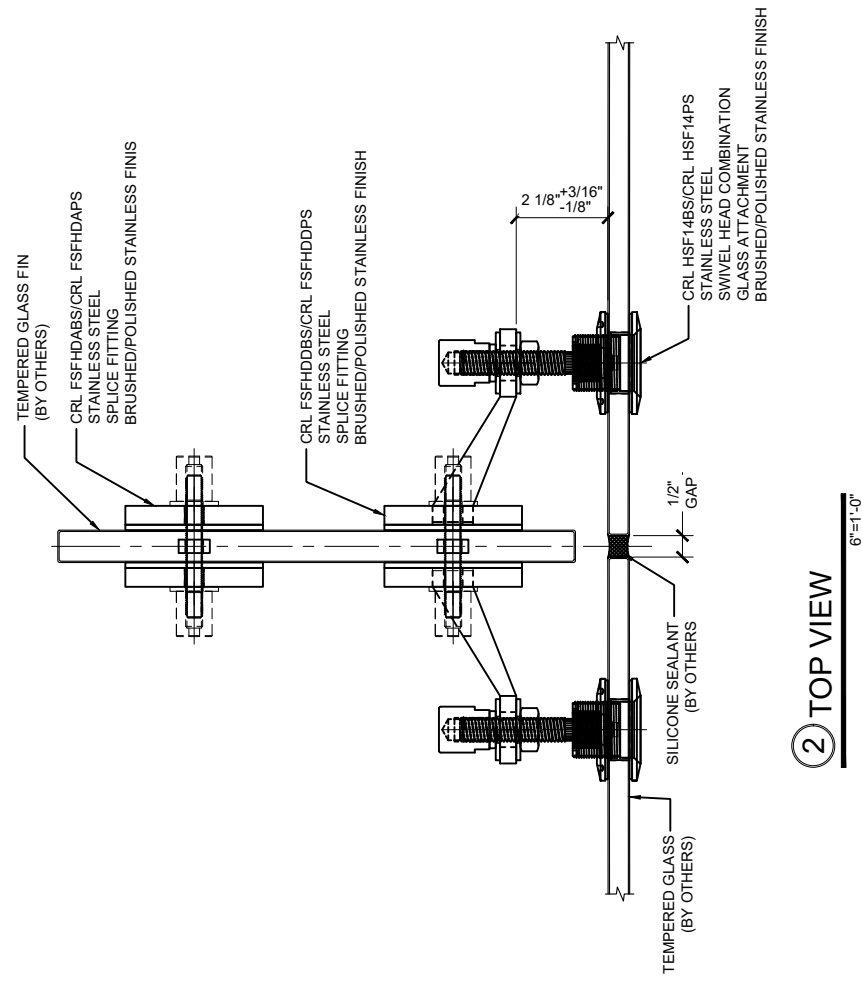
Description:
CRL SPIDER FITTINGS

Drawn By: JRM
Date: 4/4/17
Scale: 6"=1'-0"
File Name: Heavy Duty Spider Fittings.dwg
Sheet

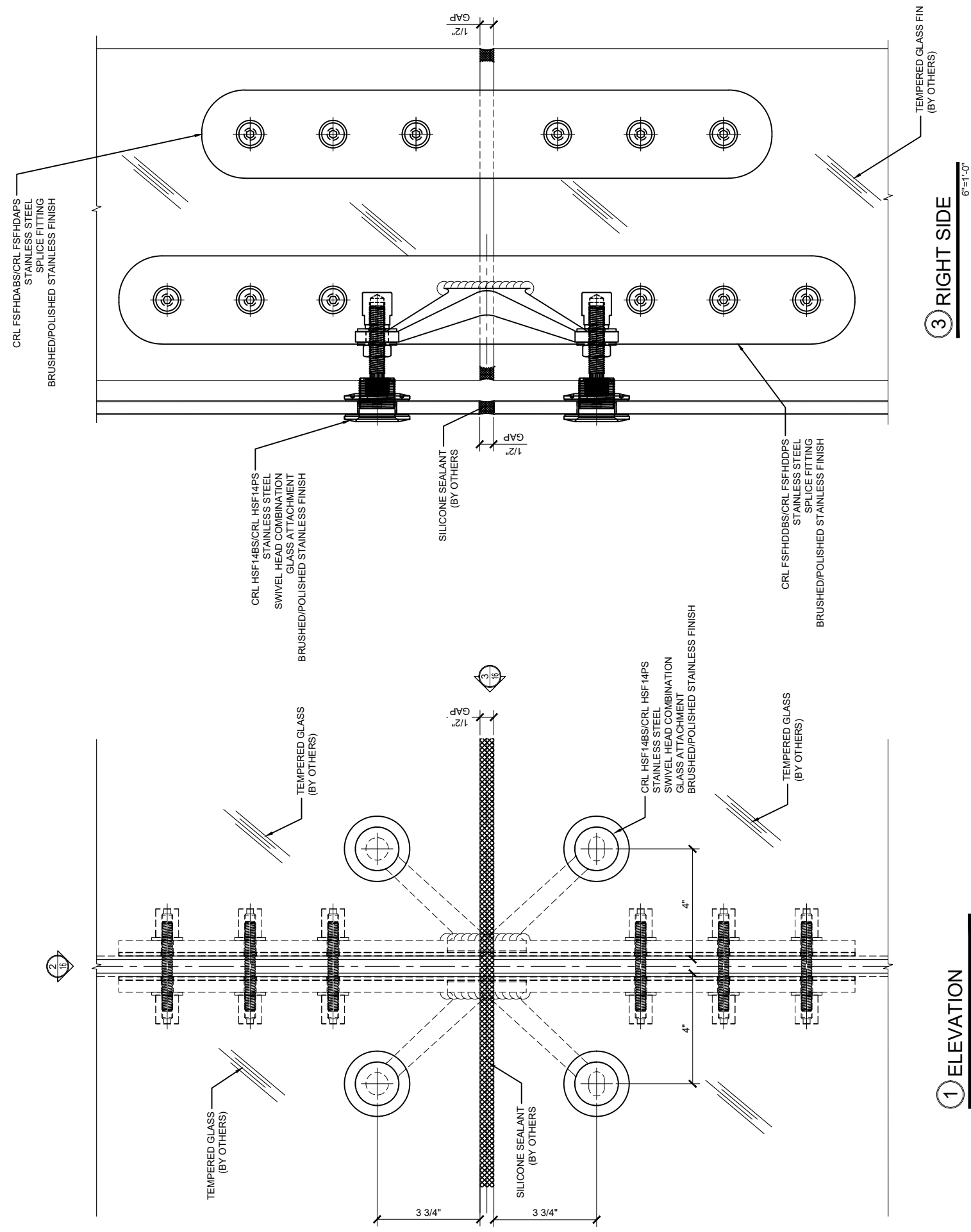
15A



ASSEMBLY - HEADER ARM FIN PIVOT BRACKET - L.H. FMHP40LH



2 TOP VIEW



1 ELEVATION

ASSEMBLY - SPLICE FITTING - FSFHD

Description:

CRL SPIDER FITTINGS

Drawn By: JRM
Date: 4/4/17
Scale: 6"=1'-0"

File Name: Heavy Duty Spider Fittings.dwg
Sheet

Revisions By:



2503 E. Vernon Avenue, Los Angeles, CA 90058-1897
PH (800)-421-6144 FX: 800-587-7501 www.crlaurence.com

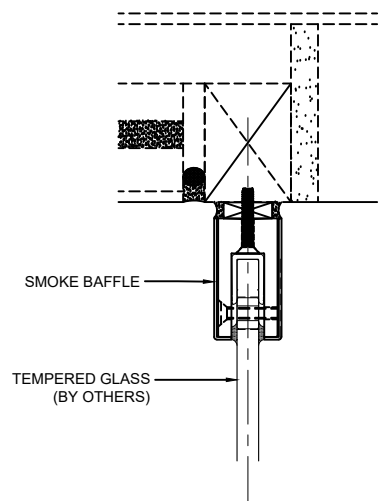
Revisions By:

2503 E. Vernon Avenue, Los Angeles, CA 90058-1897
PH (800)-421-6144 FX: 800-587-7501 www.crlaurence.com

CRL

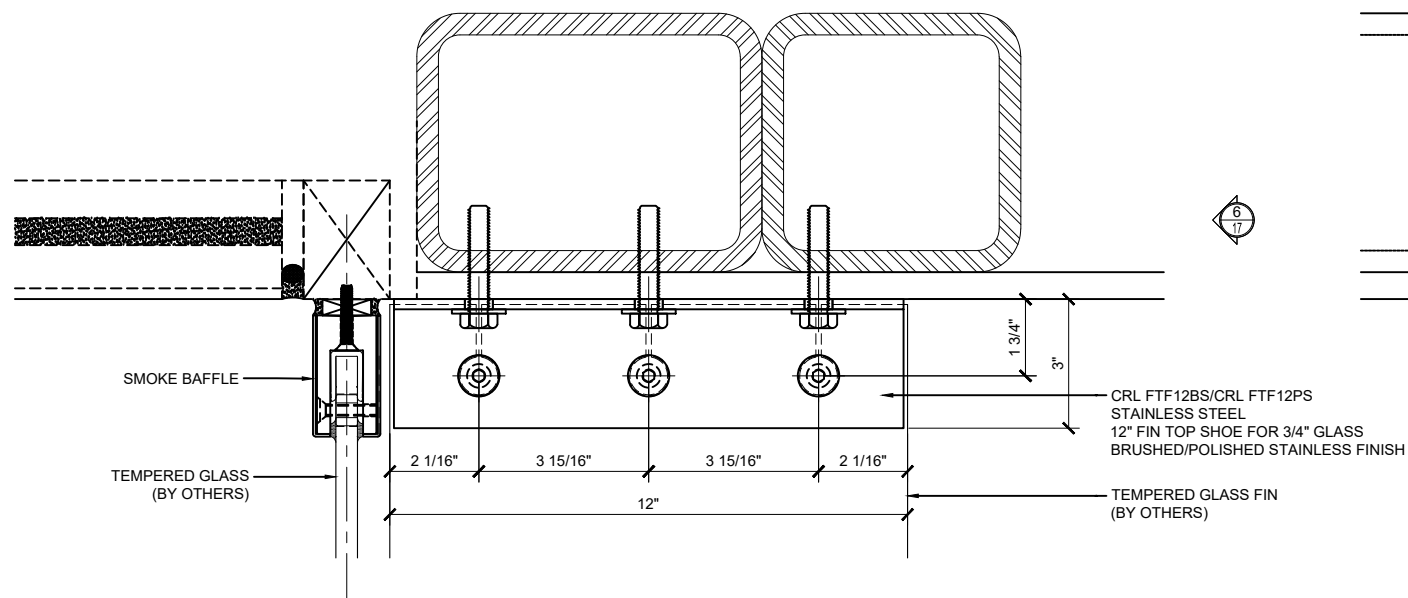
Description:
CRL SPIDER FITTINGS

Drawn By: JRM
Date: 4/4/17
Scale: 6"=1'-0"
File Name: Heavy Duty Spider Fittings.dwg
Sheet



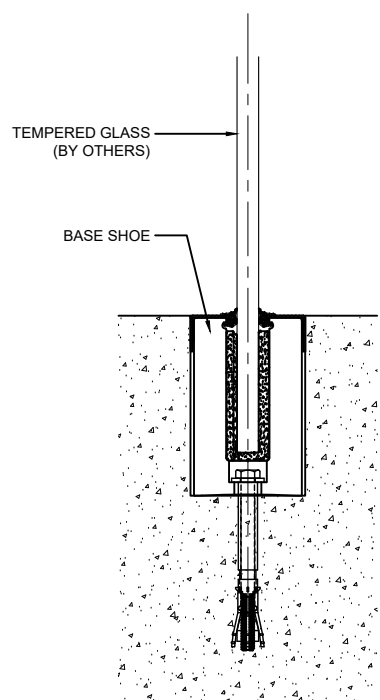
② HEAD DETAIL

6"=1'-0"



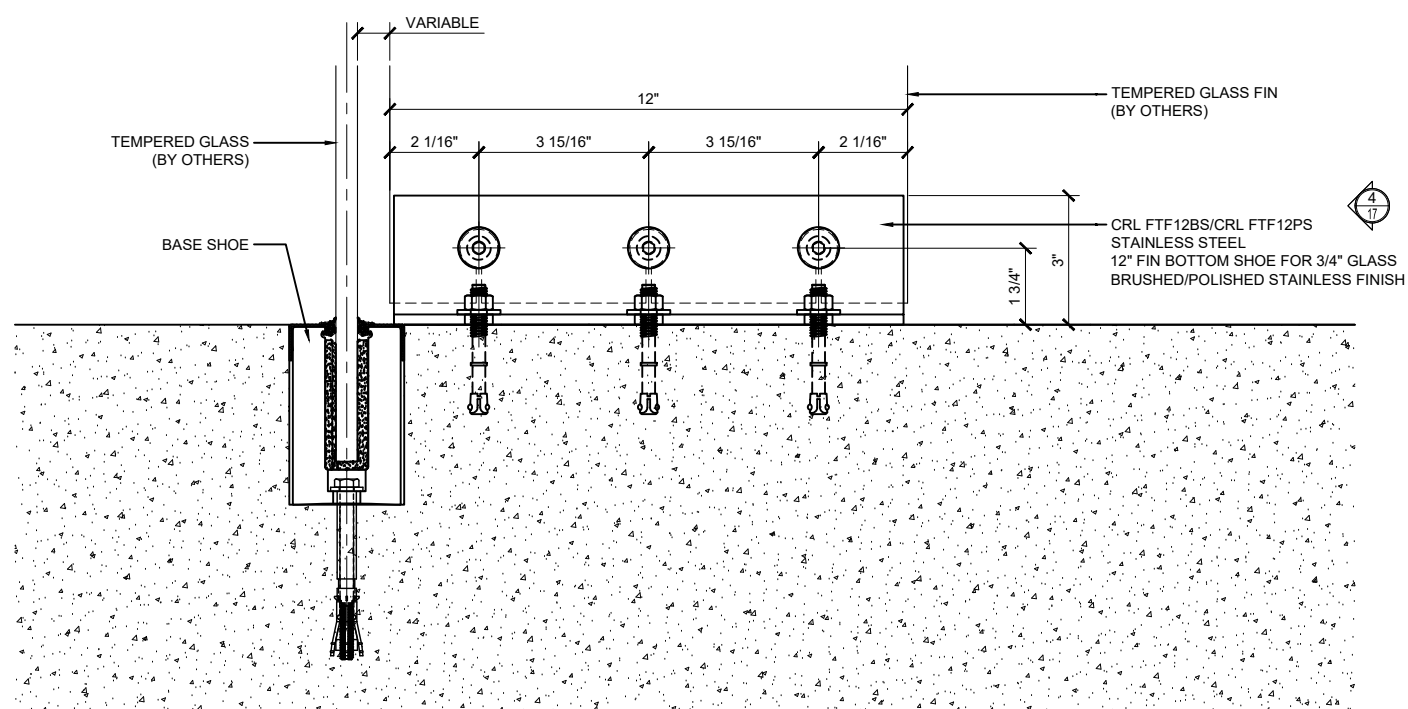
⑤ HEAD DETAIL AT FIN

6"=1'-0"



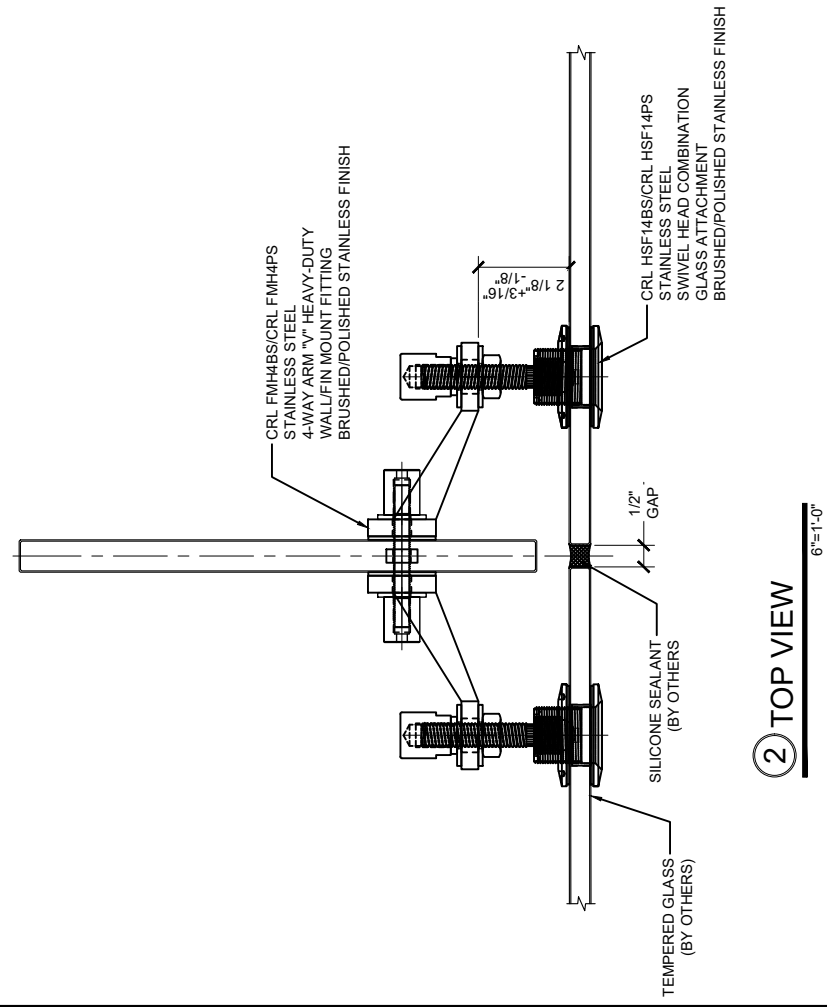
① SILL DETAIL

6"=1'-0"

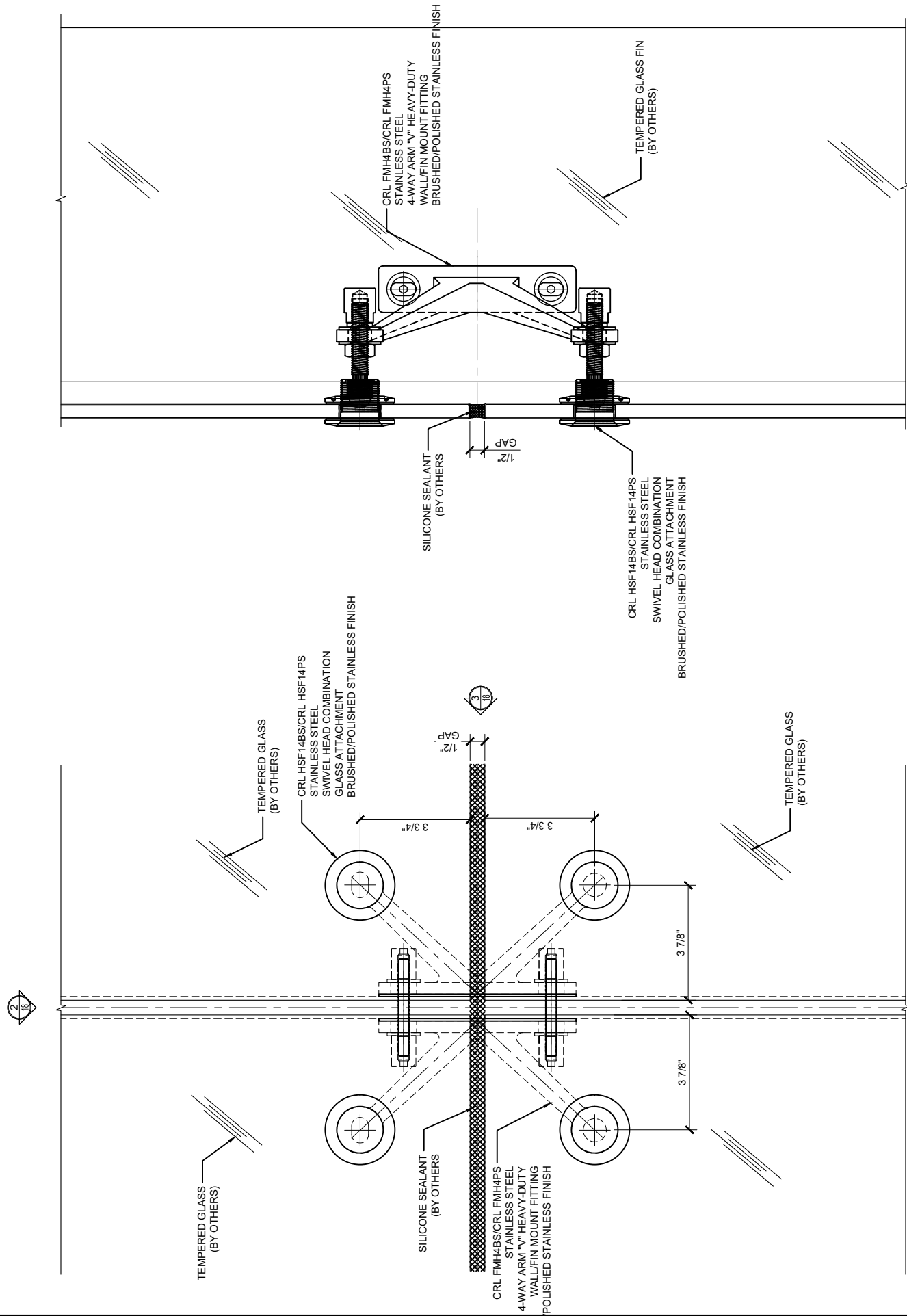


③ SILL DETAIL AT FIN

6"=1'-0"



② TOP VIEW
6"=1'-0"



① ELEVATION
6"=1'-0"

③ RIGHT SIDE
6"=1'-0"

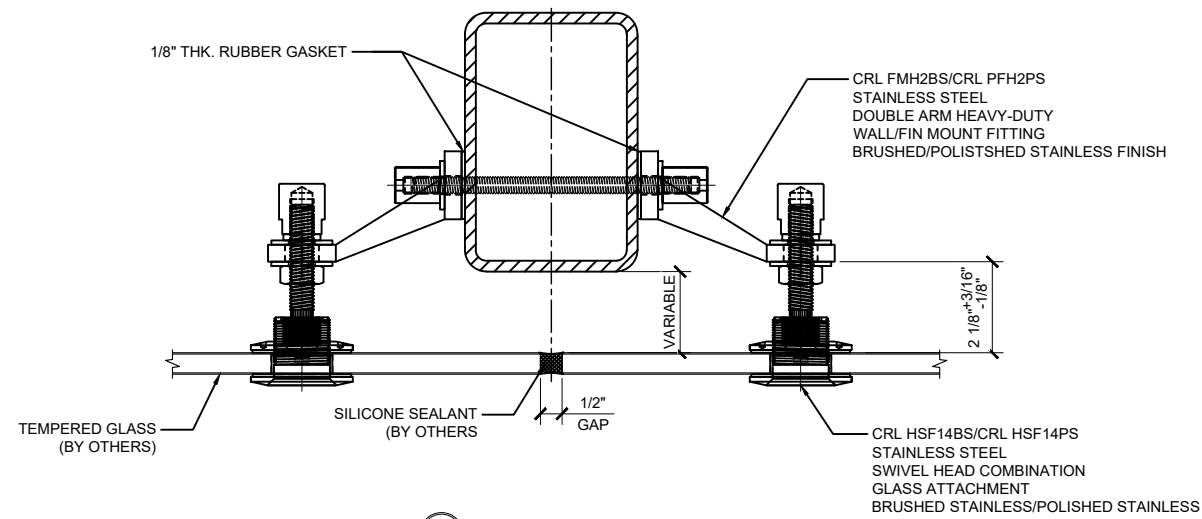
ASSEMBLY - 4-WAY V-ARM GLASS FIN FITTING - FMH4BS/PS

Drawn By: JRM
Date: 4/4/17
Scale: 6"=1'-0"
File Name: Heavy Duty Spider Fittings.dwg
Sheet
18

Description:	CRL SPIDER FITTINGS
--------------	---------------------

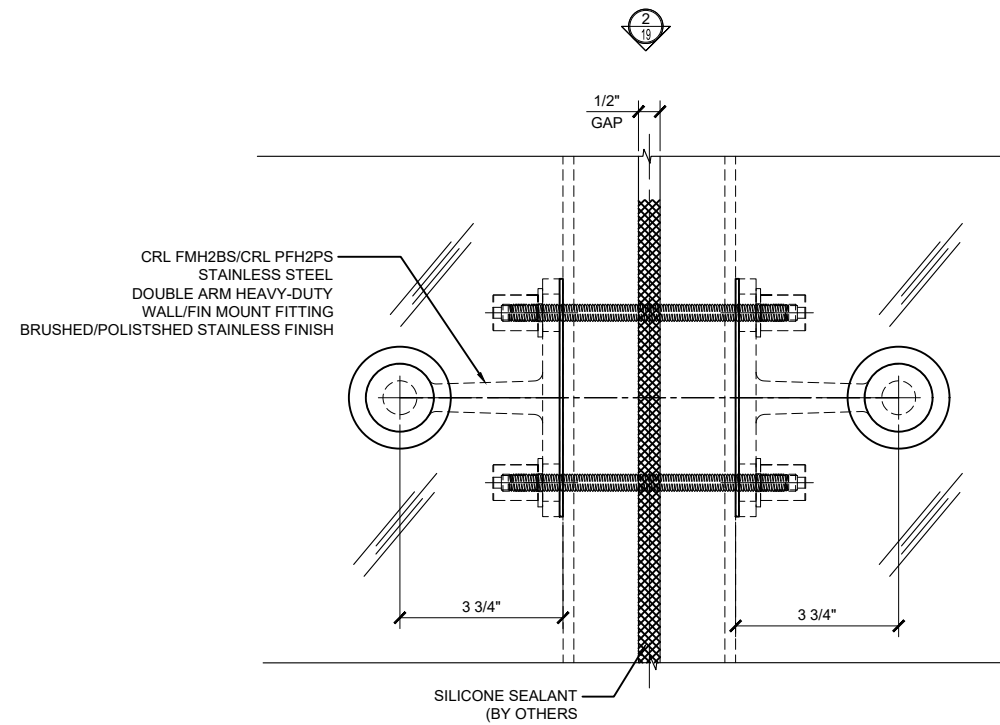
CRL	Revisions By:

2503 E. Vernon Avenue, Los Angeles, CA 90058-1897
PH (800)-421-6144 FX: 800-587-7501 www.crlaurence.com



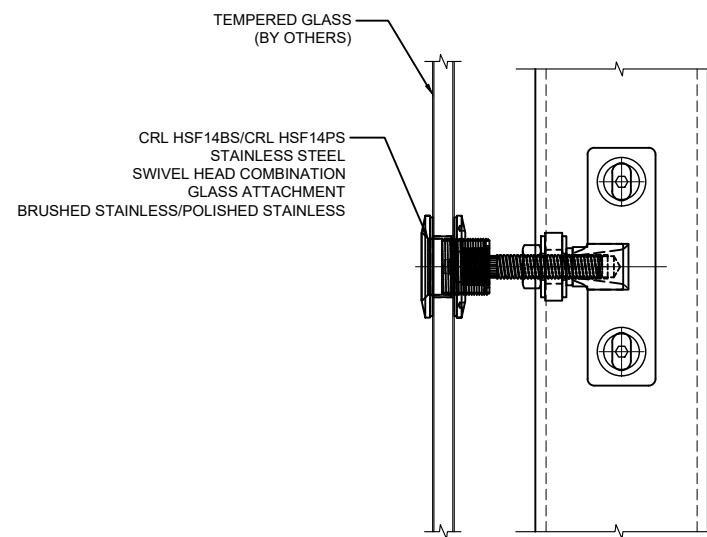
② TOP VIEW

6"=1'-0"



① ELEVATION

6"=1'-0"



③ RIGHT SIDE

6"=1'-0"

ASSEMBLY - DOUBLE ARM HEAVY-DUTY WALL/FIN MOUNT FITTING FMH2

Revisions By:

CRL

2503 E. Vernon Avenue, Los Angeles, CA 90058-1887
PH (800)-421-6144 FX: 800-587-7501 www.crlaurence.com

Description:
CRL SPIDER FITTINGS

Drawn By: JRM

Date: 4/4/17

Scale: 6"=1'-0"

File Name:
Heavy Duty Spider Fittings.dwg

Sheet

19