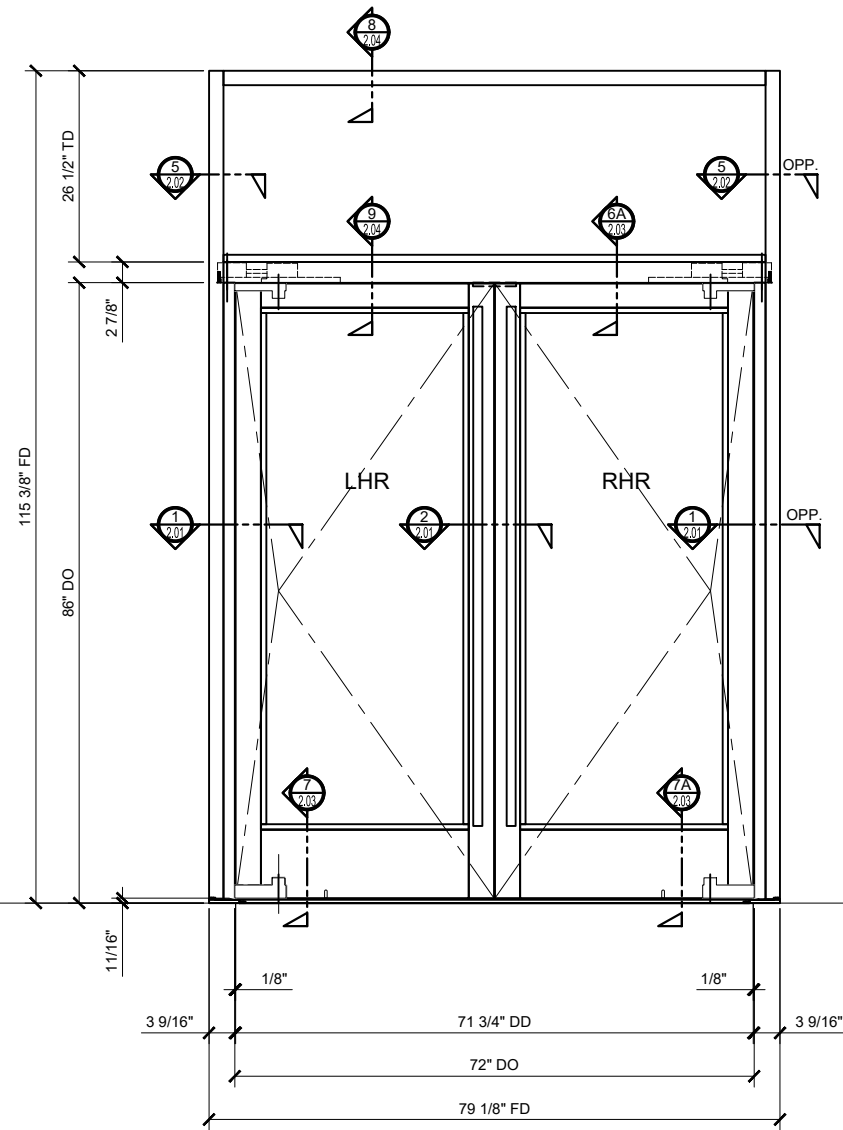
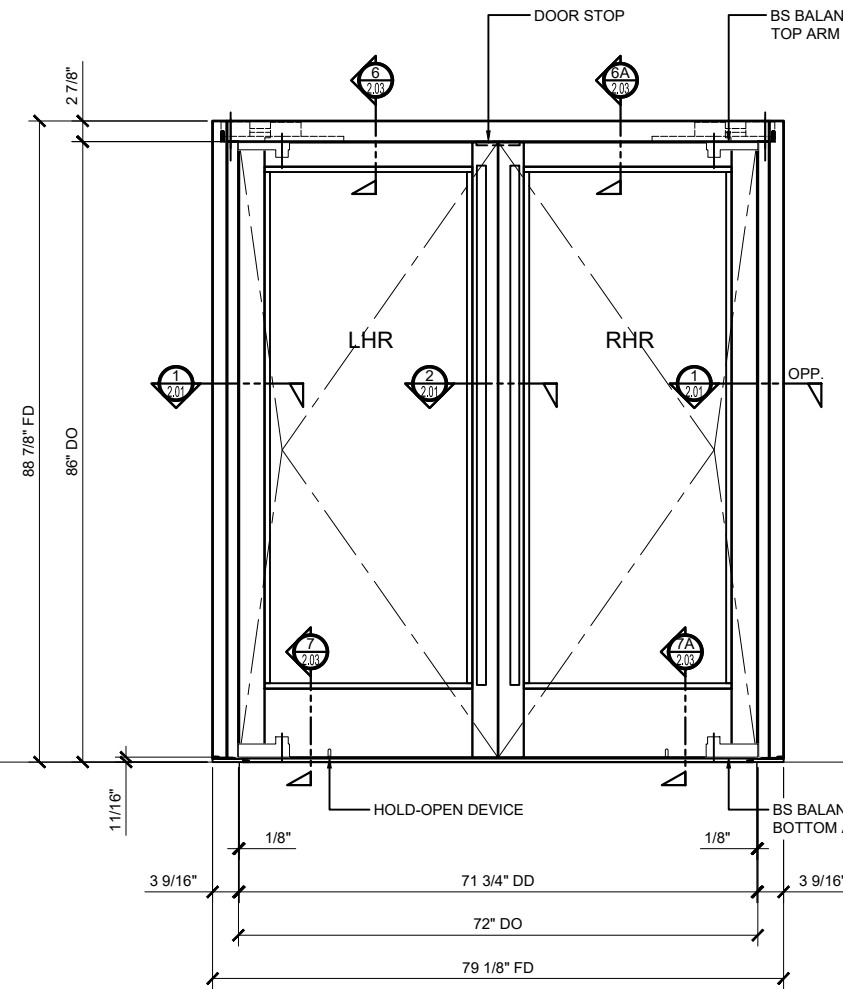


**CRL PREMIUM SERIES BALANCED DOOR  
ALUMINUM RAIL & STILE WITH CONCEALED SHAFT**

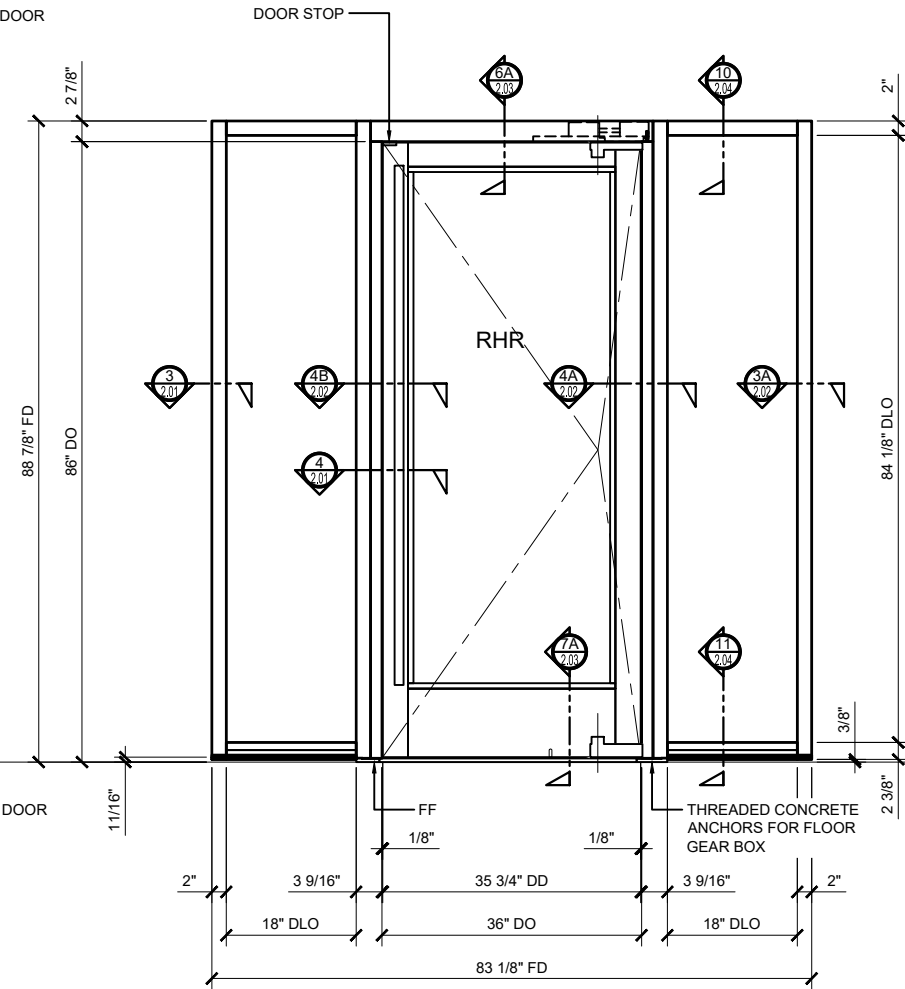
**STRUCTURAL DISCLAIMER:**  
ALL CUSTOMERS WHO IN ANY WAY UTILIZE THIS PRODUCT ARE SOLELY RESPONSIBLE TO CONSULT A STRUCTURAL ENGINEER TO DETERMINE THE SUITABILITY OF THE PRODUCT FOR THE INTENDED USE AND SITE CONDITIONS. ALL INSTALLERS MUST BE QUALIFIED AND HAVE PROFESSIONAL KNOWLEDGE ABOUT COMPLIANCE WITH LOCAL, STATE AND FEDERAL REGULATIONS, SAFETY FACTORS, AND THE APPROPRIATE CHOICE OF FIXING MATERIAL AND PROCEDURES.



**CRL PREMIUM SERIES BALANCED DOOR  
U.S. ALUMINUM RAIL & STILE WITH CONCEALED SHAFT  
PAIR DOORS WITH TRANSOM ELEVATION**

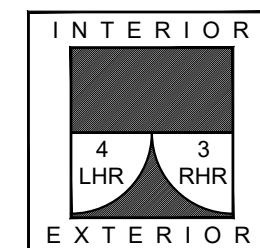


**CRL PREMIUM SERIES BALANCED DOOR  
U.S. ALUMINUM RAIL & STILE WITH CONCEALED SHAFT  
PAIR DOORS ELEVATION**



**CRL PREMIUM SERIES BALANCED DOOR  
U.S. ALUMINUM RAIL & STILE WITH CONCEALED SHAFT  
SINGLE DOOR WITH SIDELITE ELEVATION**

**DOOR SWING CHART**



**STANDARD ABBREVIATIONS**

RO	ROUGH OPENING
FD	FRAME DIMENSION
DLO	DAYLIGHT OPENING
DO	DOOR OPENING
DD	DOOR DIMENSION
TD	TRANSOM DIMENSION
FF	FLOOR FIDDING

Revisions By:

**CRL**

2603 E. Vermont Avenue, Los Angeles, CA 90058-1897  
PH: (800)-421-6144 FAX: 800-567-7501 www.crlusa.com

Description:  
CRL PREMIUM SERIES  
BALANCED DOOR  
U.S. ALUMINUM RAIL & STILE

Drawn By: TGM  
Date: 11/15/18  
Scale: AS NOTED  
File Name: PS BD - U.S. ALUM RAIL & STILE.dwg

Sheet

Revisions By:

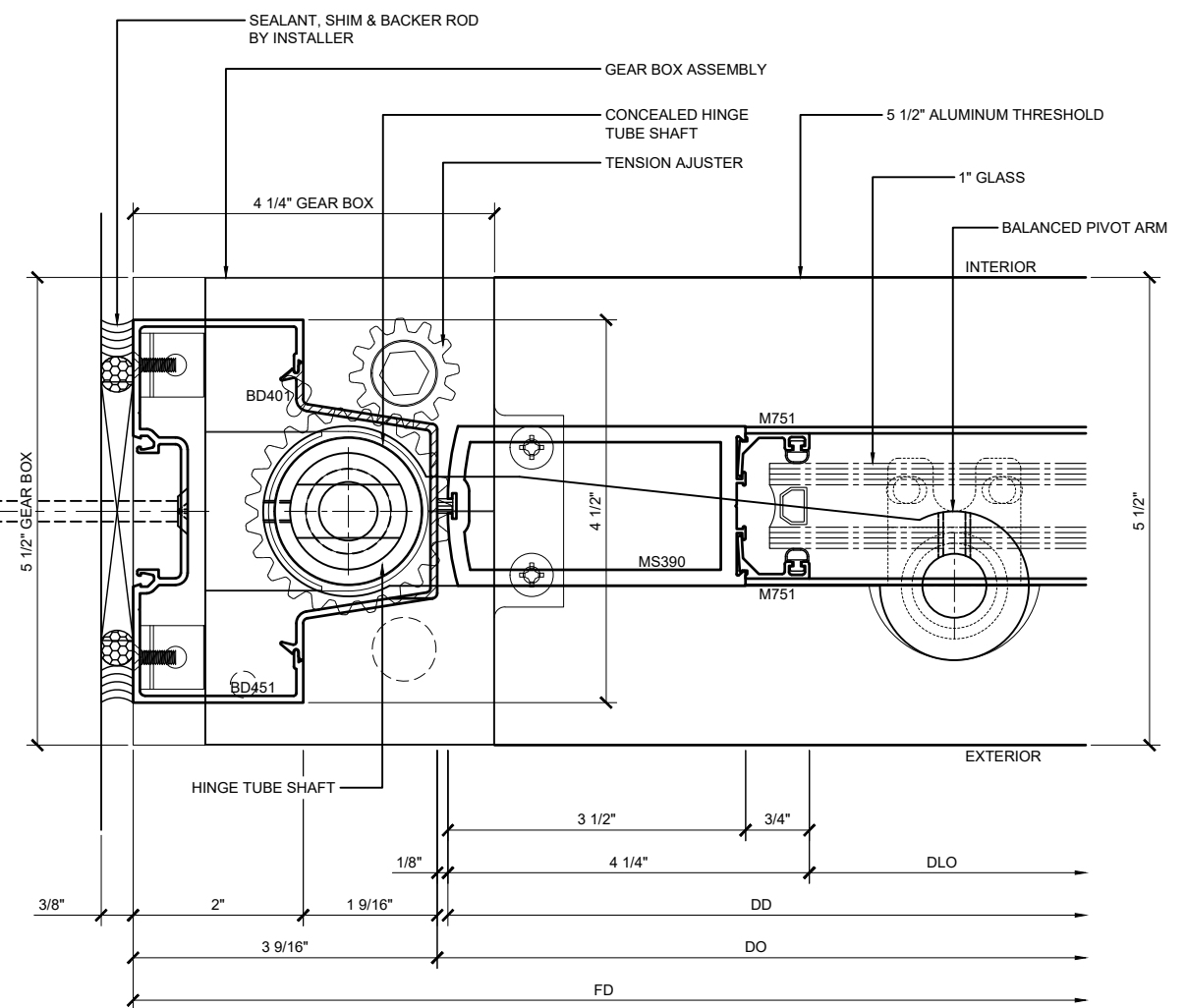
# CRL

2603 E. Vermont Avenue, Los Angeles, CA 90058-1897  
PH: (800)-421-6144 FAX: 800-567-7501 www.crlusa.com

Description:  
CRL PREMIUM SERIES  
BALANCED DOOR  
U.S. ALUMINUM RAIL & STILE

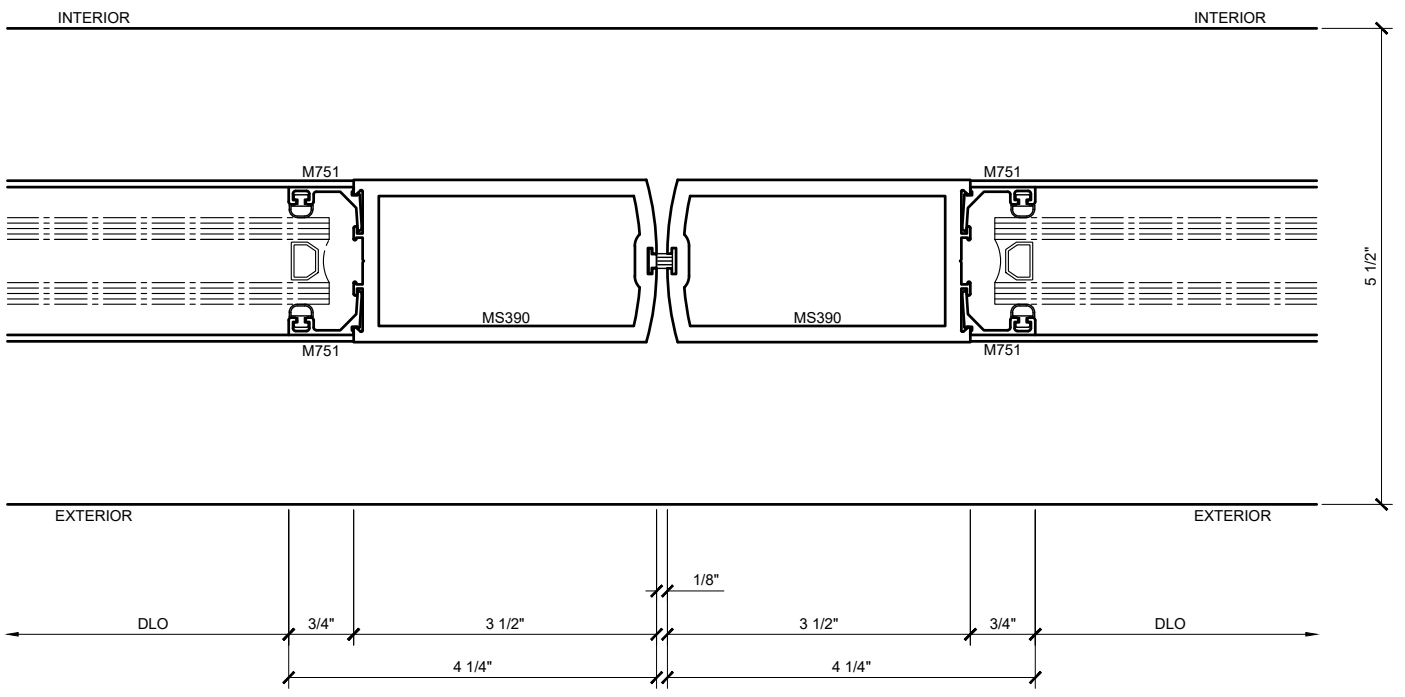
Drawn By: TGM  
Date: 11/15/18  
Scale: AS NOTED  
File Name: PS BD - U.S. ALUM RAIL & STILE.dwg  
Sheet

## 2.01



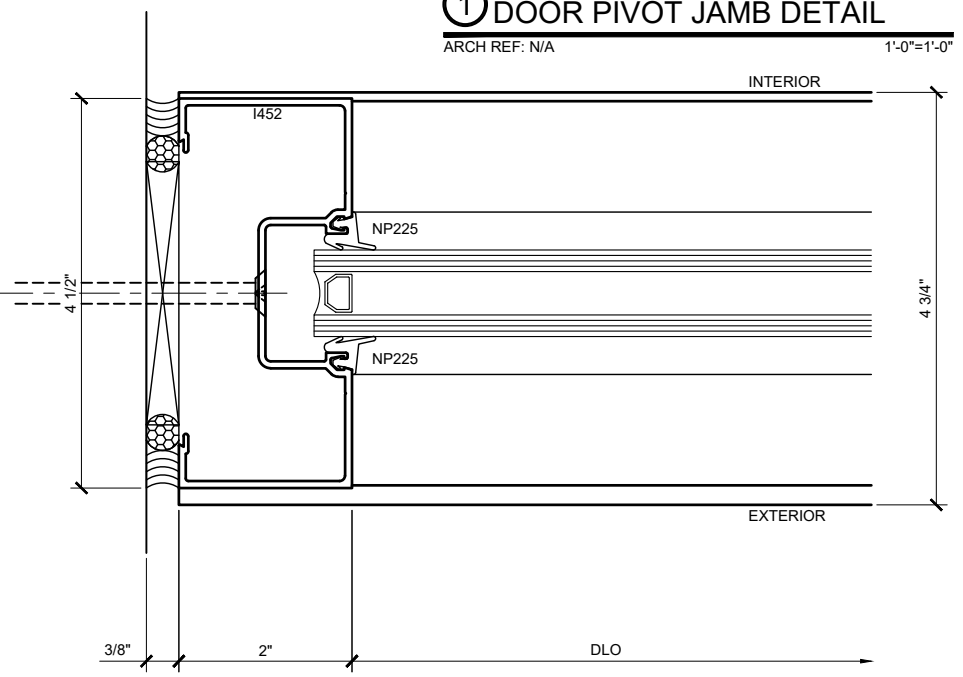
### 1 DOOR PIVOT JAMB DETAIL

ARCH REF: N/A 1'-0"=1'-0"



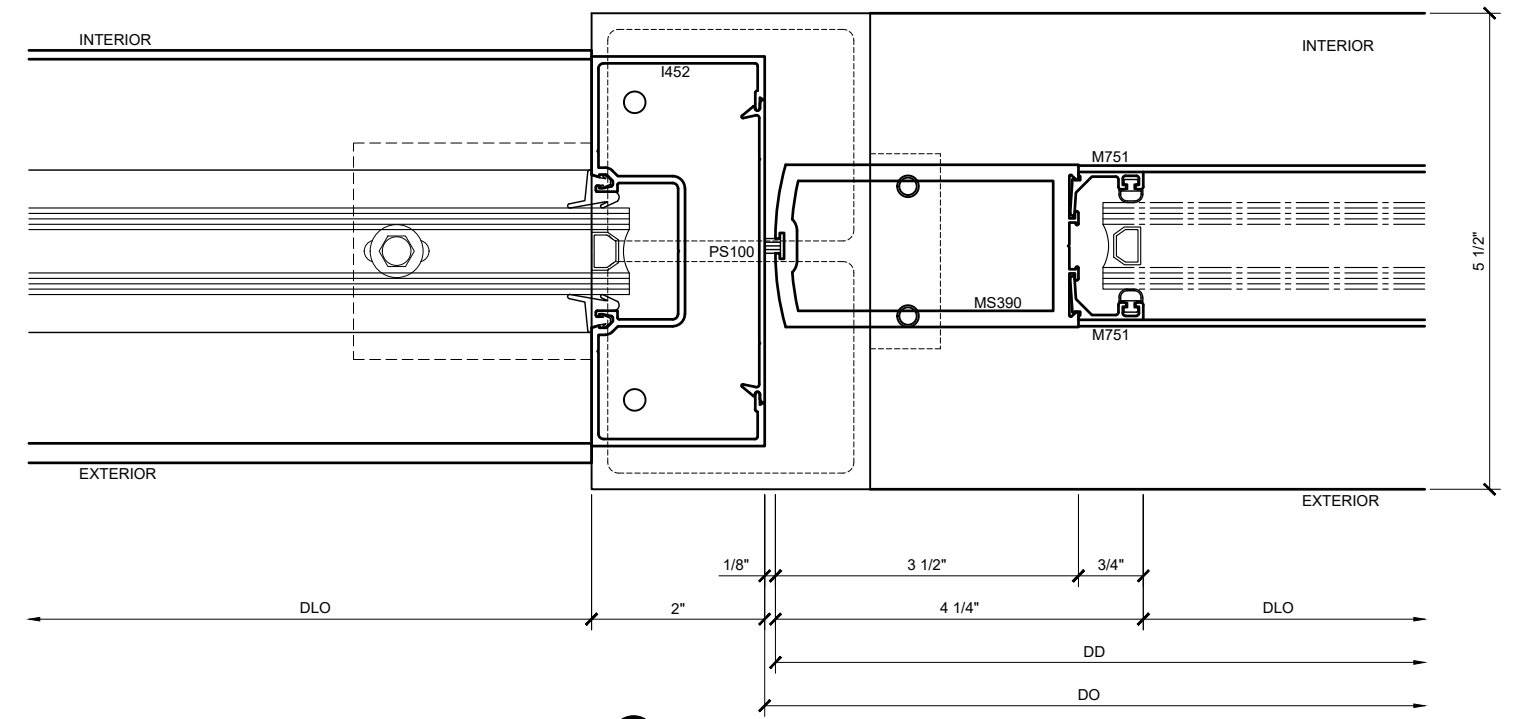
### 2 MEETING STILES DETAIL

ARCH REF: N/A 1'-0"=1'-0"



### 3 JAMB DETAIL AT SIDELITE

ARCH REF: N/A 1'-0"=1'-0"



### 4 DOOR STRIKE JAMB AT SIDELITE DETAIL

ARCH REF: N/A 1'-0"=1'-0"

## PREMIUM SERIES ALUMINUM RAIL & STILE BALANCED DOORS DETAILS / 4-1/2" JAMB / CONCEALED SHAFT

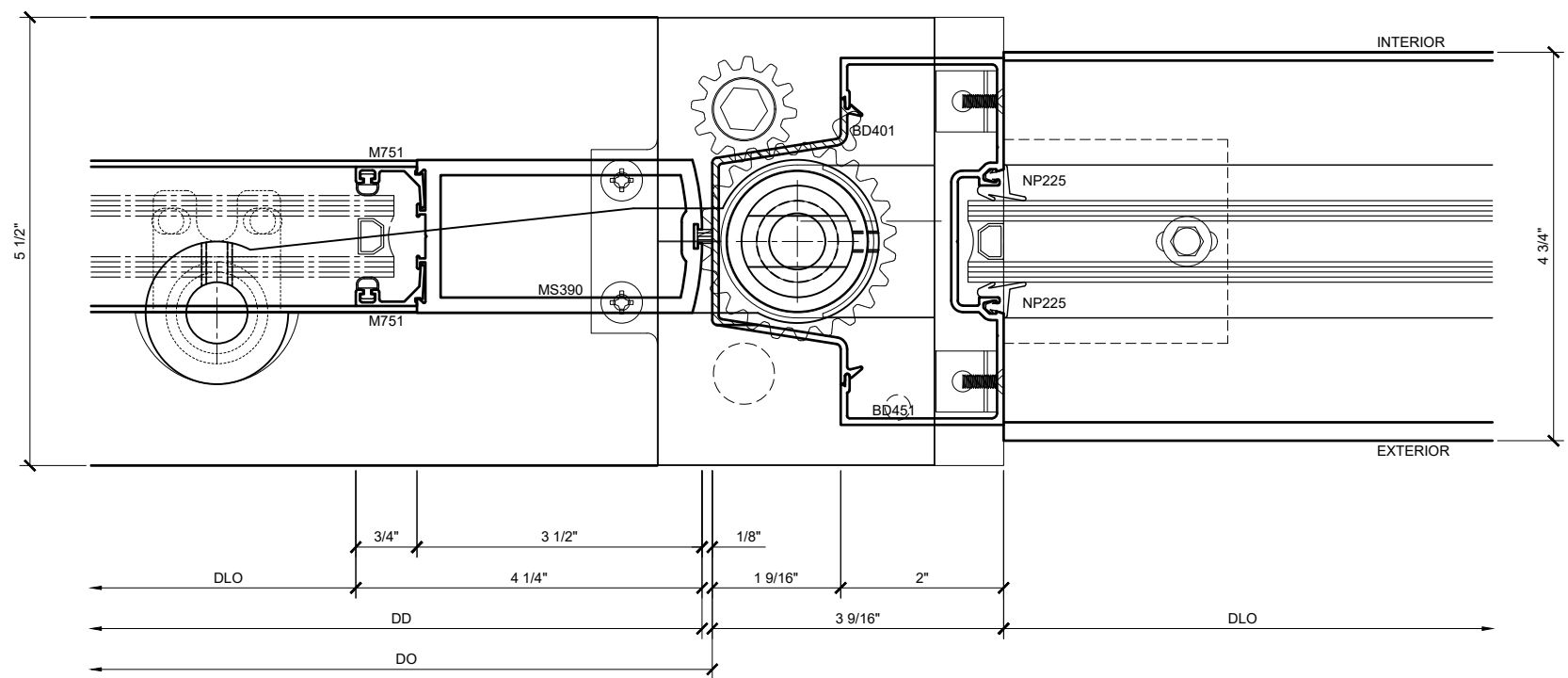
Revisions By:

**CRL**

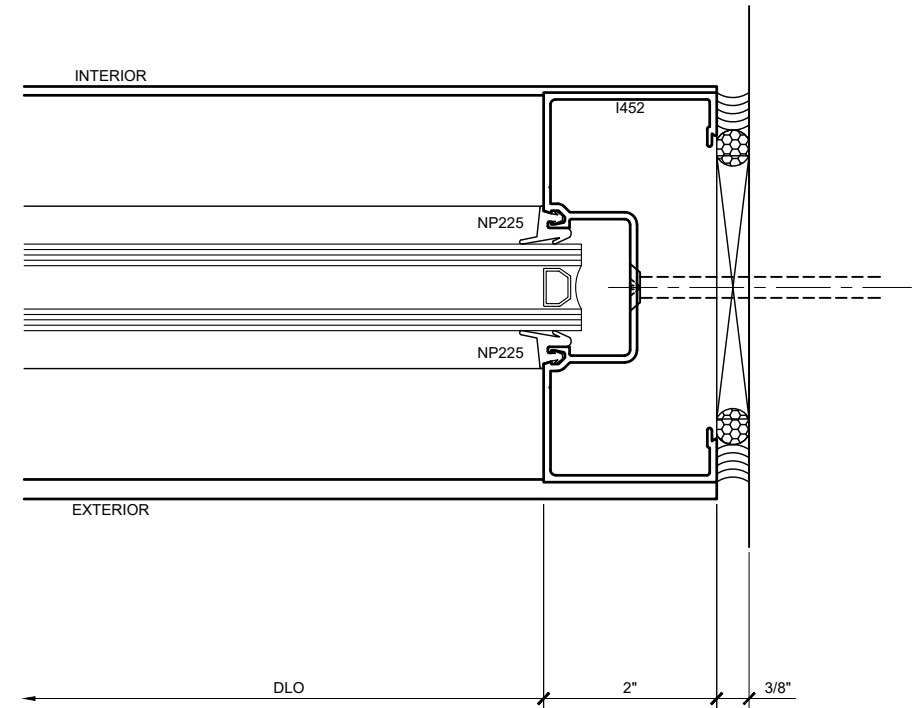
2603 E. Vermont Avenue, Los Angeles, CA 90008-1897  
 PH (800)-421-6144 FAX (800)-567-7501 www.crlusa.com

Description:  
 CRL PREMIUM SERIES  
 BALANCED DOOR  
 U.S. ALUMINUM RAIL & STILE

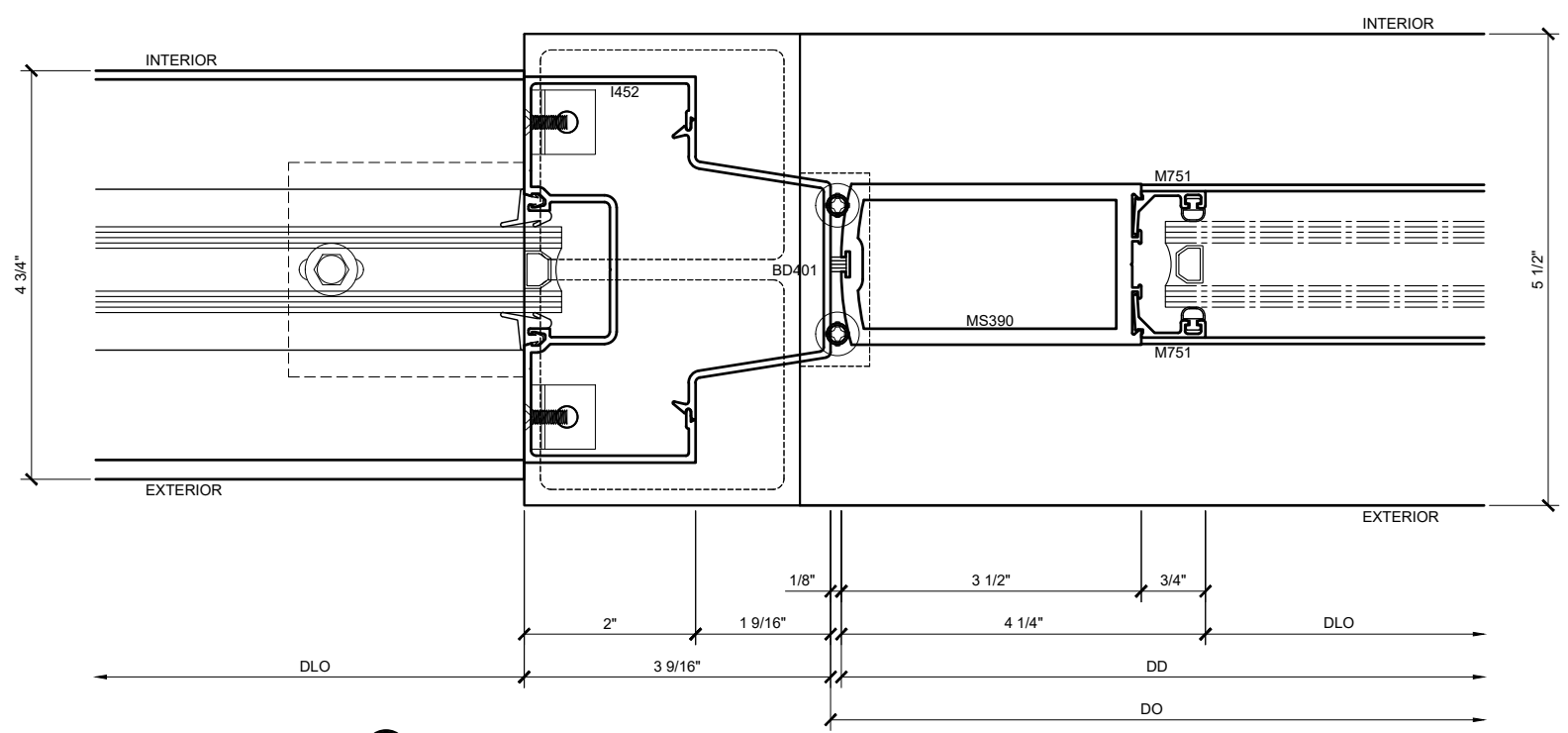
Drawn By: TGM  
 Date: 11/15/18  
 Scale: AS NOTED  
 File Name: PS BD - U.S. ALUM RAIL & STILE.dwg  
 Sheet



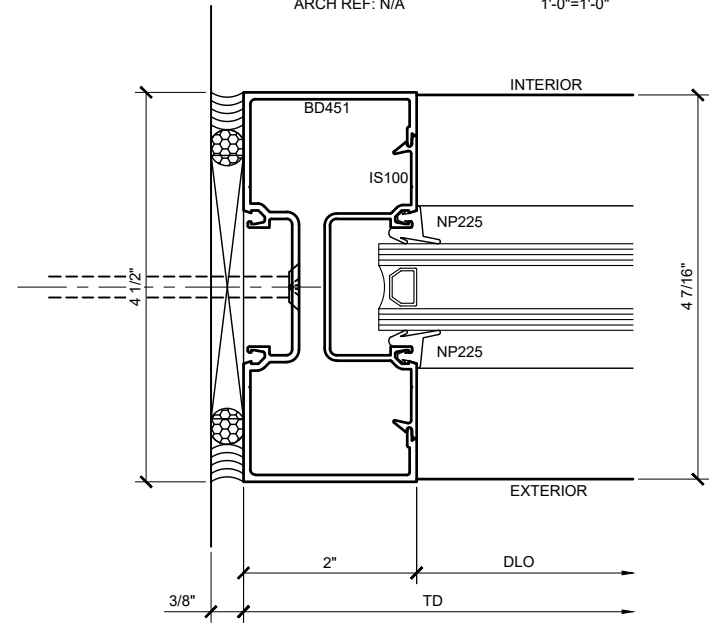
**4A** DOOR PIVOT JAMB SIDELITE DETAIL  
 ARCH REF: N/A 1'-0"=1'-0"



**3A** JAMB DETAIL  
 ARCH REF: N/A 1'-0"=1'-0"

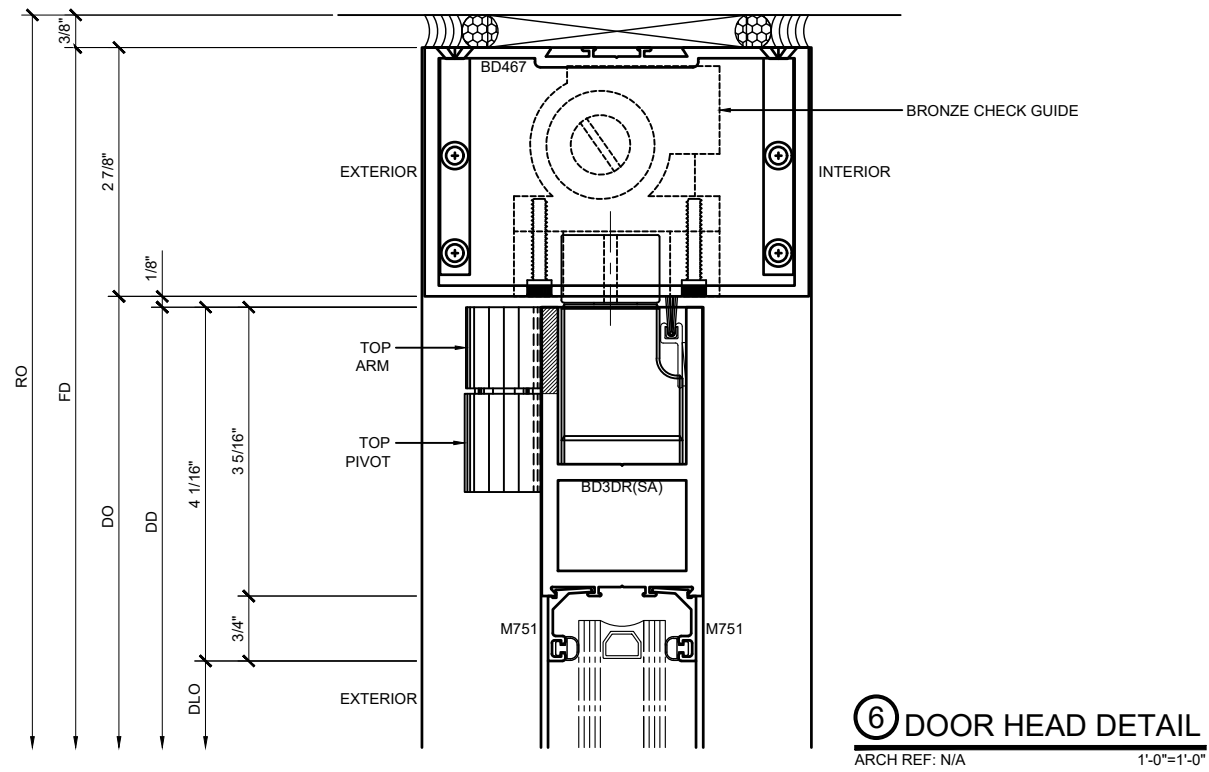


**4B** DOOR STRIKE JAMB AT SIDELITE DETAIL  
 ARCH REF: N/A 1'-0"=1'-0"

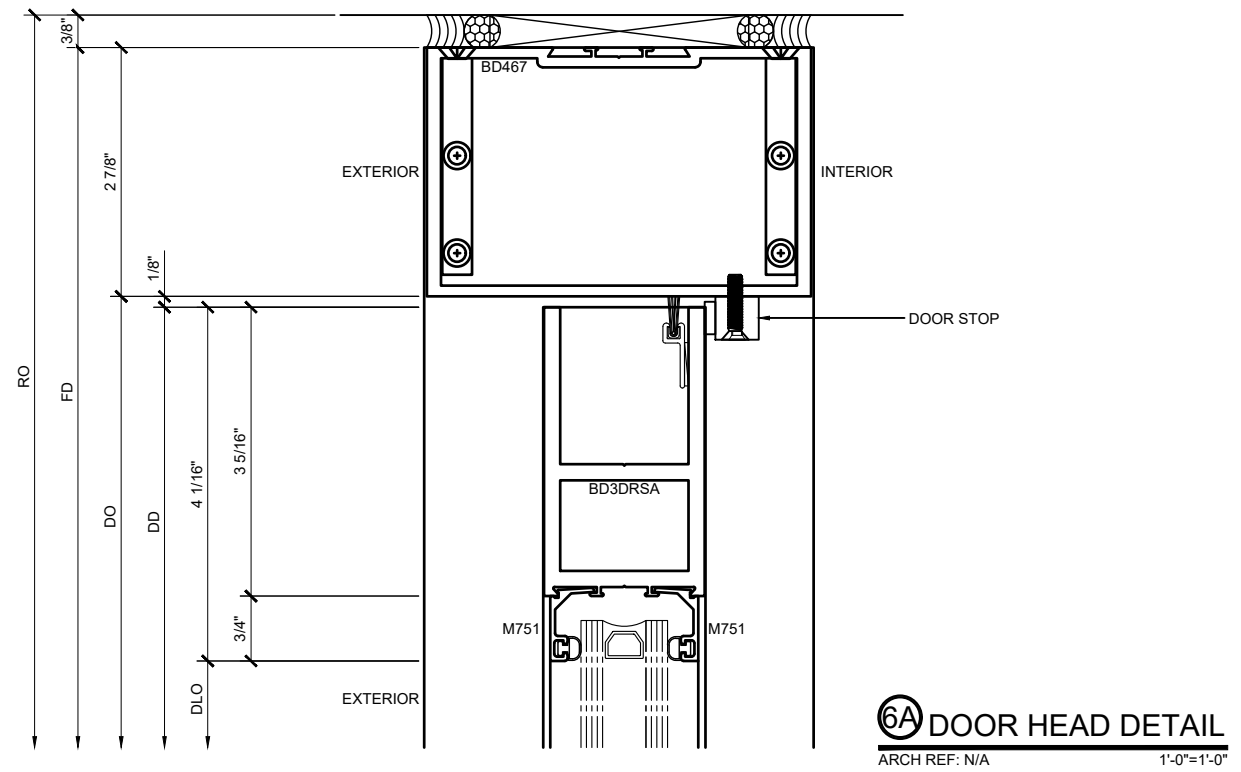


**5** TRANSOM DETAIL  
 ARCH REF: N/A 1'-0"=1'-0"

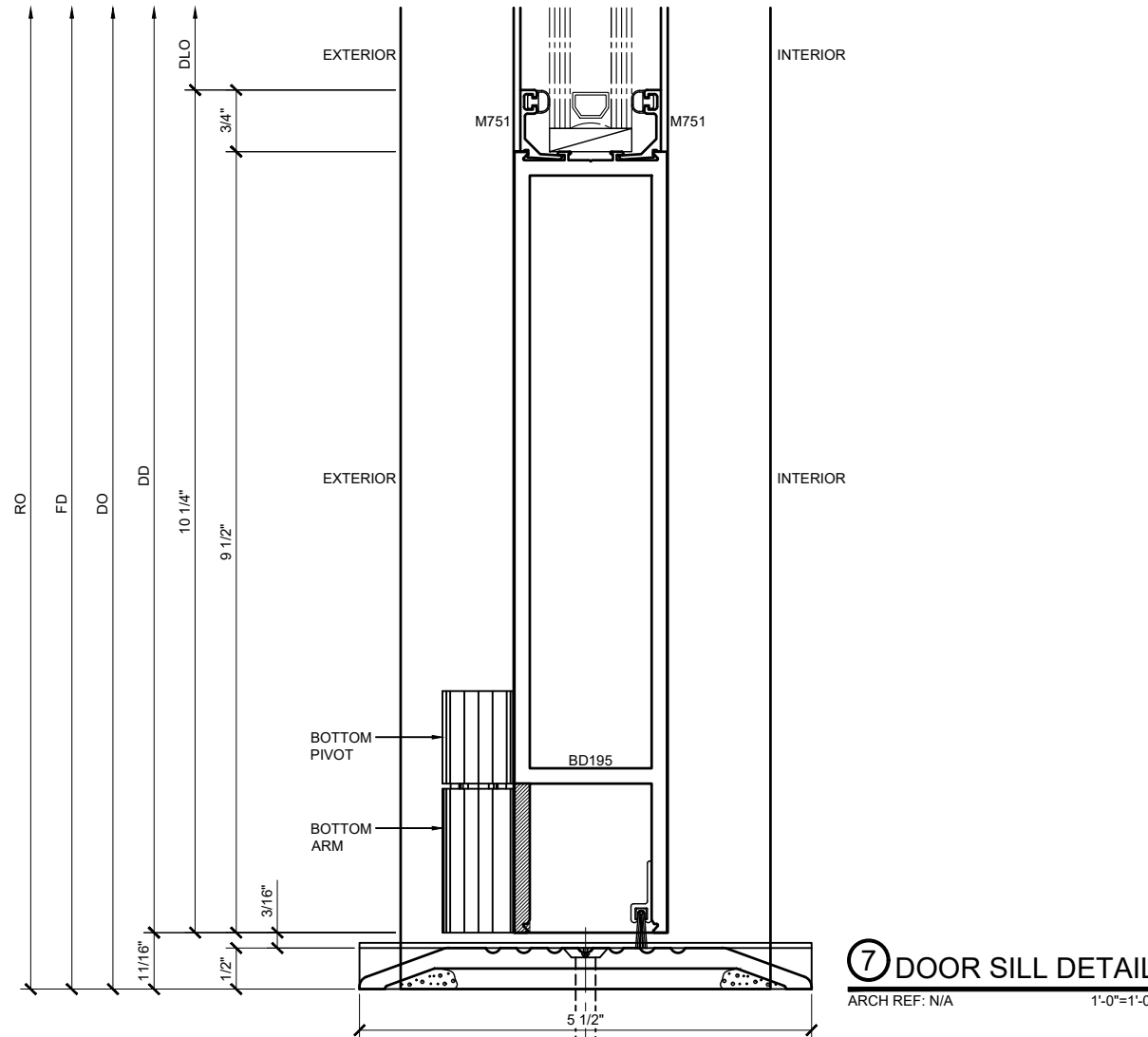
**PREMIUM SERIES ALUMINUM RAIL & STILE BALANCED DOORS DETAILS / 4-1/2" JAMB / CONCEALED SHAFT**



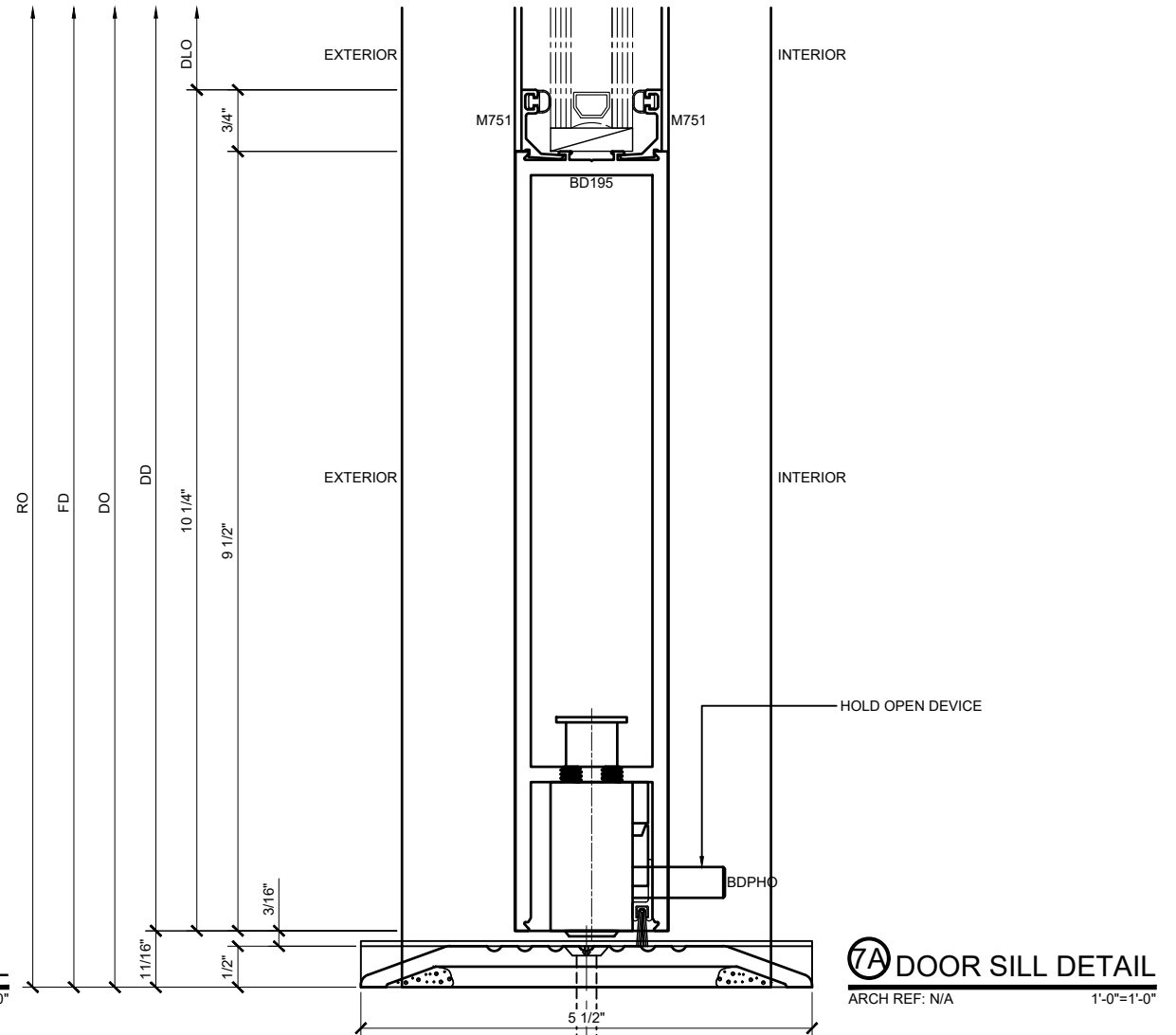
**6 DOOR HEAD DETAIL**  
 ARCH REF: N/A 1'-0"=1'-0"



**6A DOOR HEAD DETAIL**  
 ARCH REF: N/A 1'-0"=1'-0"



**7 DOOR SILL DETAIL**  
 ARCH REF: N/A 1'-0"=1'-0"



**7A DOOR SILL DETAIL**  
 ARCH REF: N/A 1'-0"=1'-0"

**PREMIUM SERIES ALUMINUM RAIL & STILE BALANCED DOORS DETAILS / 4-1/2" JAMB / CONCEALED SHAFT**

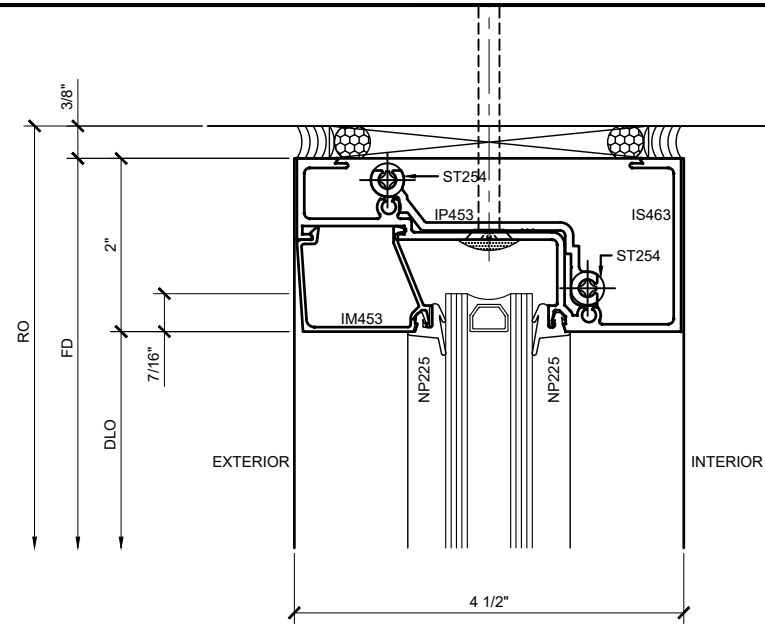
Revisions By:

**CRL**

2603 E. Vermont Avenue, Los Angeles, CA 90058-1897  
 PH (800)-421-6144 FAX 800-567-7501 www.crlusa.com

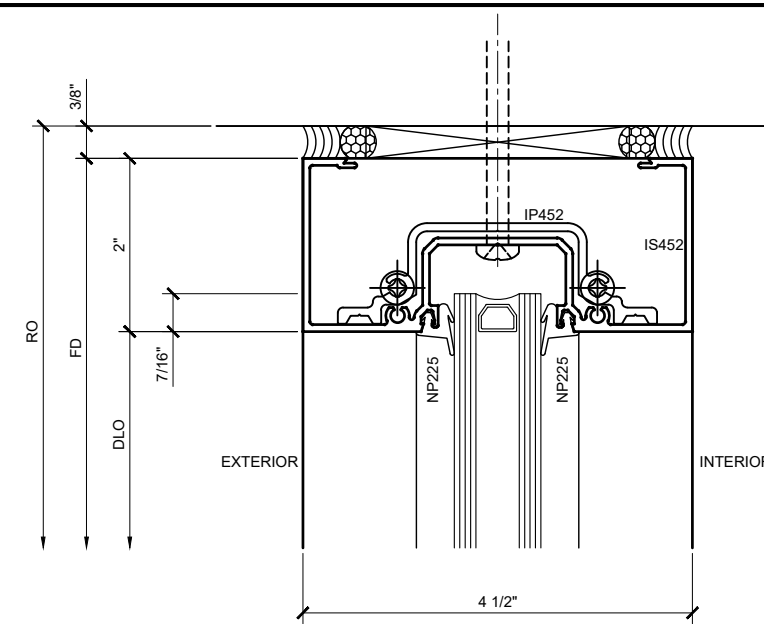
Description:  
 CRL PREMIUM SERIES  
 BALANCED DOOR  
 U.S. ALUMINUM RAIL & STILE

Drawn By: TGM  
 Date: 11/15/18  
 Scale: AS NOTED  
 File Name: PS BD - U.S. ALUM RAIL & STILE.dwg  
 Sheet



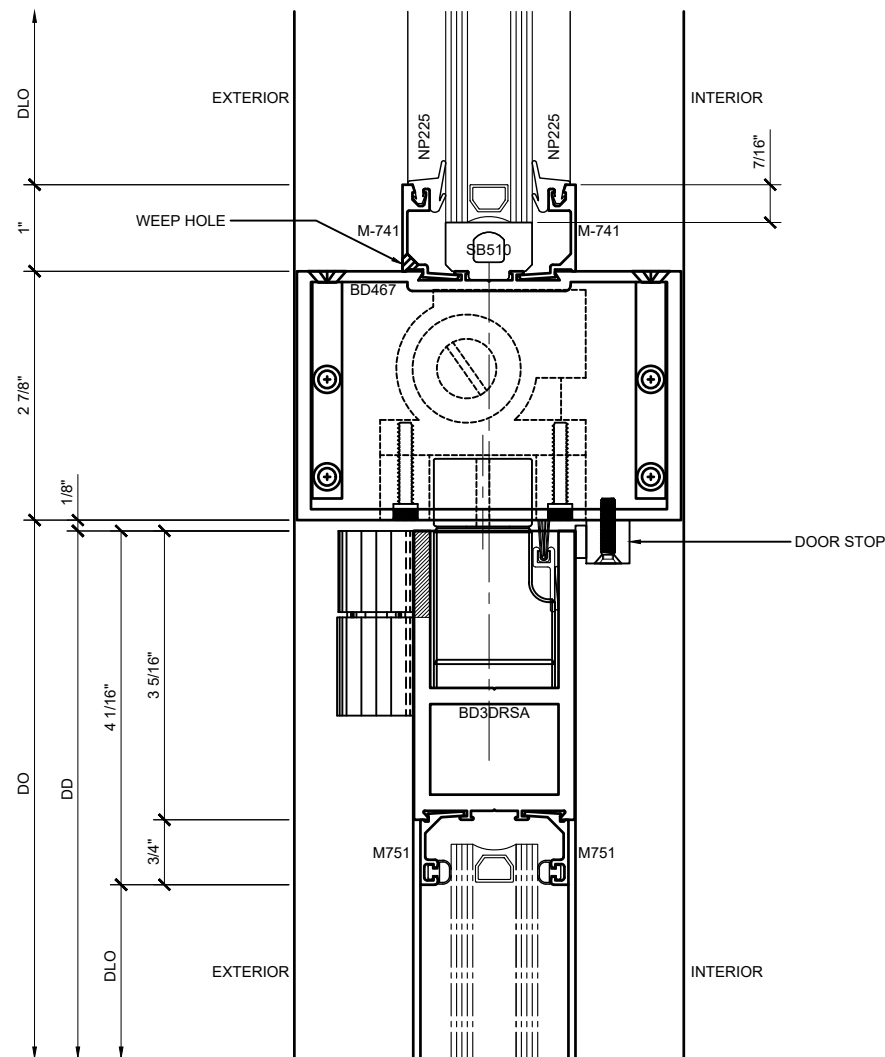
**8** HEAD DETAIL

ARCH REF: N/A 1'-0"=1'-0"



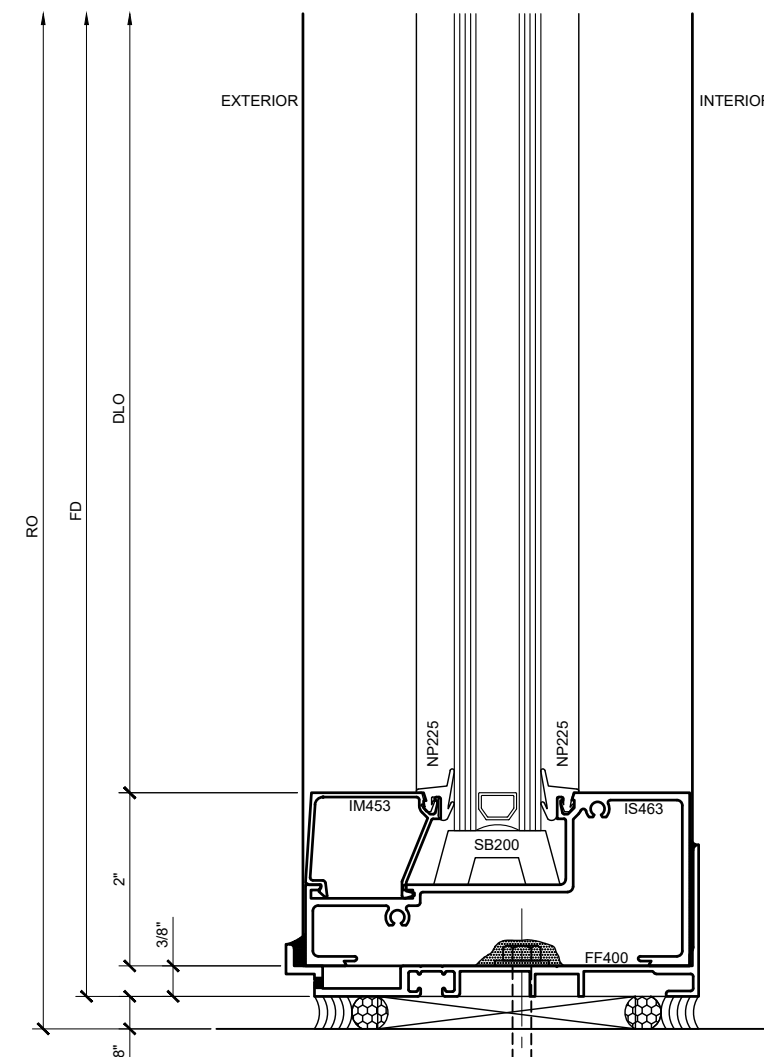
**10** HEAD DETAIL

ARCH REF: N/A 1'-0"=1'-0"



**9** DOOR HEAD DETAIL AT TRANSOM

ARCH REF: N/A 1'-0"=1'-0"



**10** SILL DETAIL AT SIDELITE

ARCH REF: N/A 1'-0"=1'-0"

**PREMIUM SERIES ALUMINUM RAIL & STILE BALANCED DOORS DETAILS / 4-1/2" JAMB / CONCEALED SHAFT**

Revisions By:

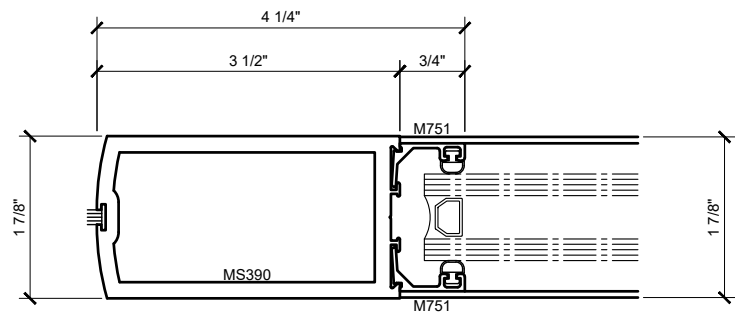
**CRL**

2603 E. Vermont Avenue, Los Angeles, CA 90058-1897  
 PH (800)-421-6144 FAX (800)-567-7501 www.crlusa.com

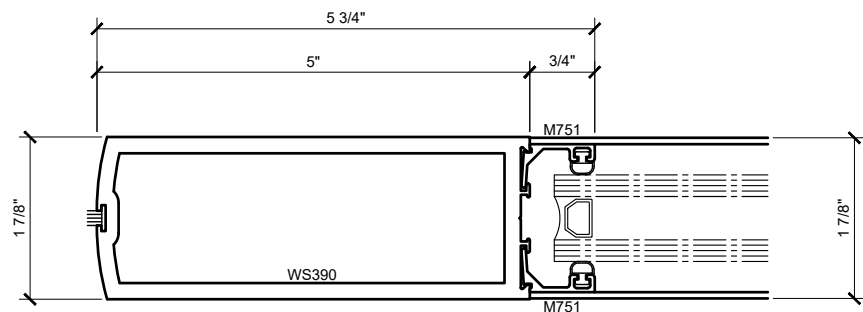
Description:  
 CRL PREMIUM SERIES  
 BALANCED DOOR  
 U.S. ALUMINUM RAIL & STILE

Drawn By: TGM  
 Date: 11/15/18  
 Scale: AS NOTED  
 File Name: PS BD - U.S. ALUM RAIL & STILE.dwg  
 Sheet

2.04

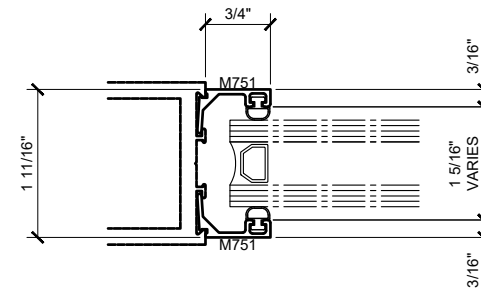


MEDIUM STILE

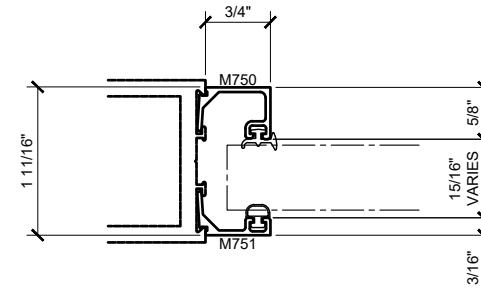


WIDE STILE

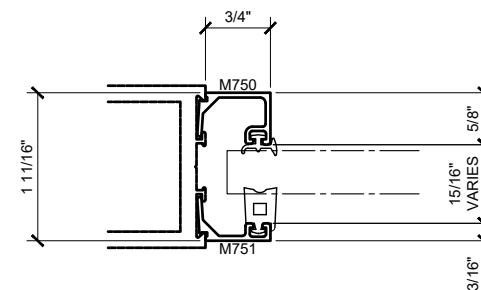
STANDARD STILES (SHOWN WITH GLASS STOPS FOR 1" GLASS)



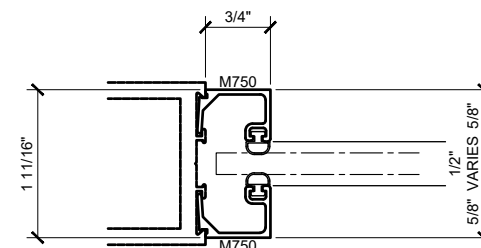
GLASS STOPS FOR 1" GLASS



GLASS STOPS FOR 3/4" GLASS



GLASS STOPS FOR 1/2" GLASS



GLASS STOPS FOR 1/4" GLASS

GLASS STOP OPTIONS

STANDARD STILES & GLASS STOP OPTIONS FOR 1", 3/4", 1/2", 1/4", THICK GLASS

Revisions By:

**CRL.**

2603 E. Vermont Avenue, Los Angeles, CA 90058-1897  
 PH (800)-421-6144 FAX 800-567-7501 www.crlusa.com

Description:

CRL PREMIUM SERIES  
 BALANCED DOOR

U.S. ALUMINUM RAIL & STILE

Drawn By: TGM

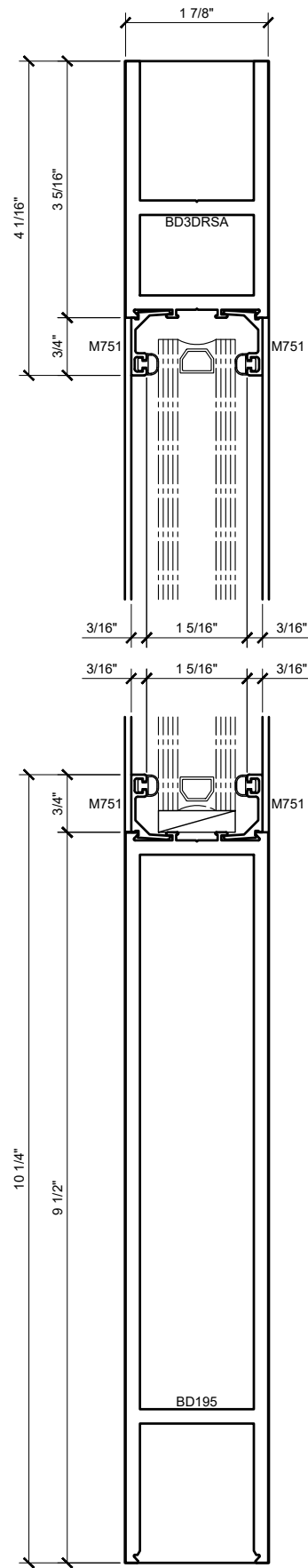
Date: 11/15/18

Scale: AS NOTED

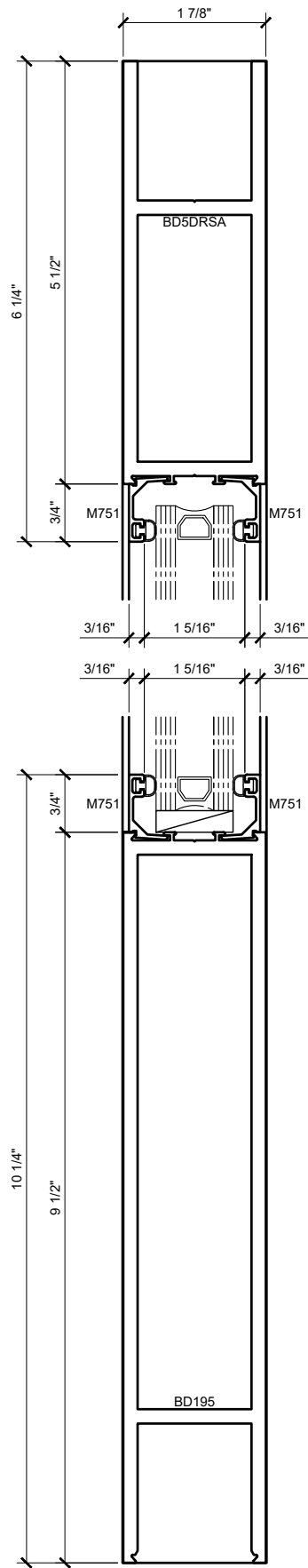
File Name: PS BD - U.S. ALUM RAIL & STILE.dwg

Sheet

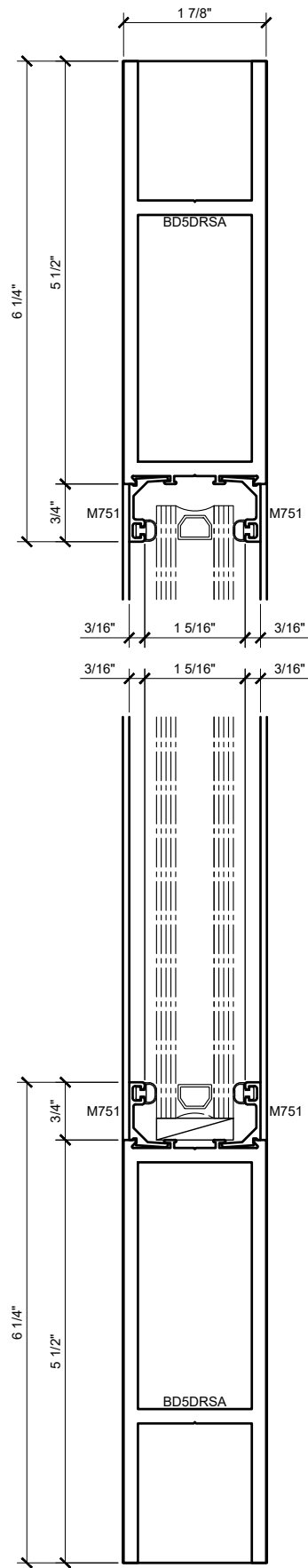
2.05



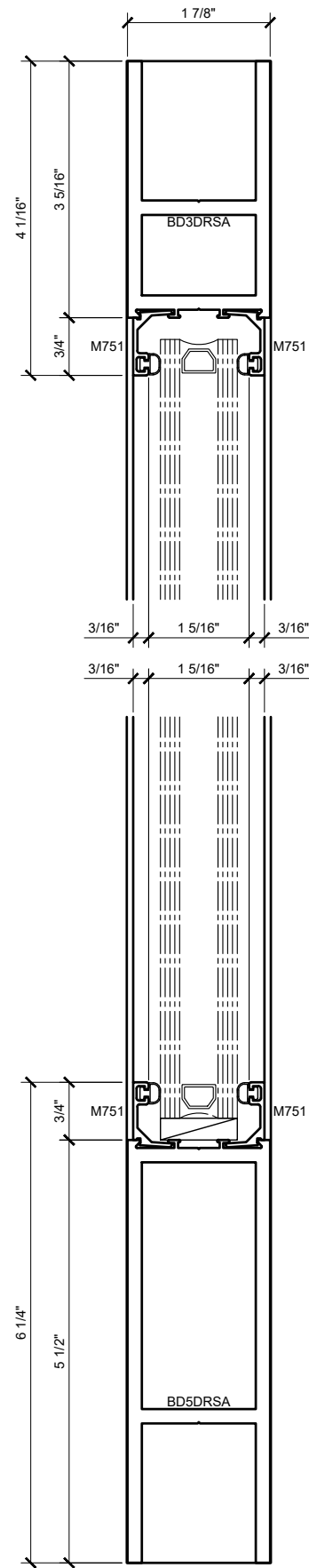
**OPTION 1**



**OPTION 2**



**OPTION 3**



**OPTION 4**

**STANDARD RAILS (SHOWN WITH GLASS STOPS FOR 1" THICK GLASS)**

Revisions By:

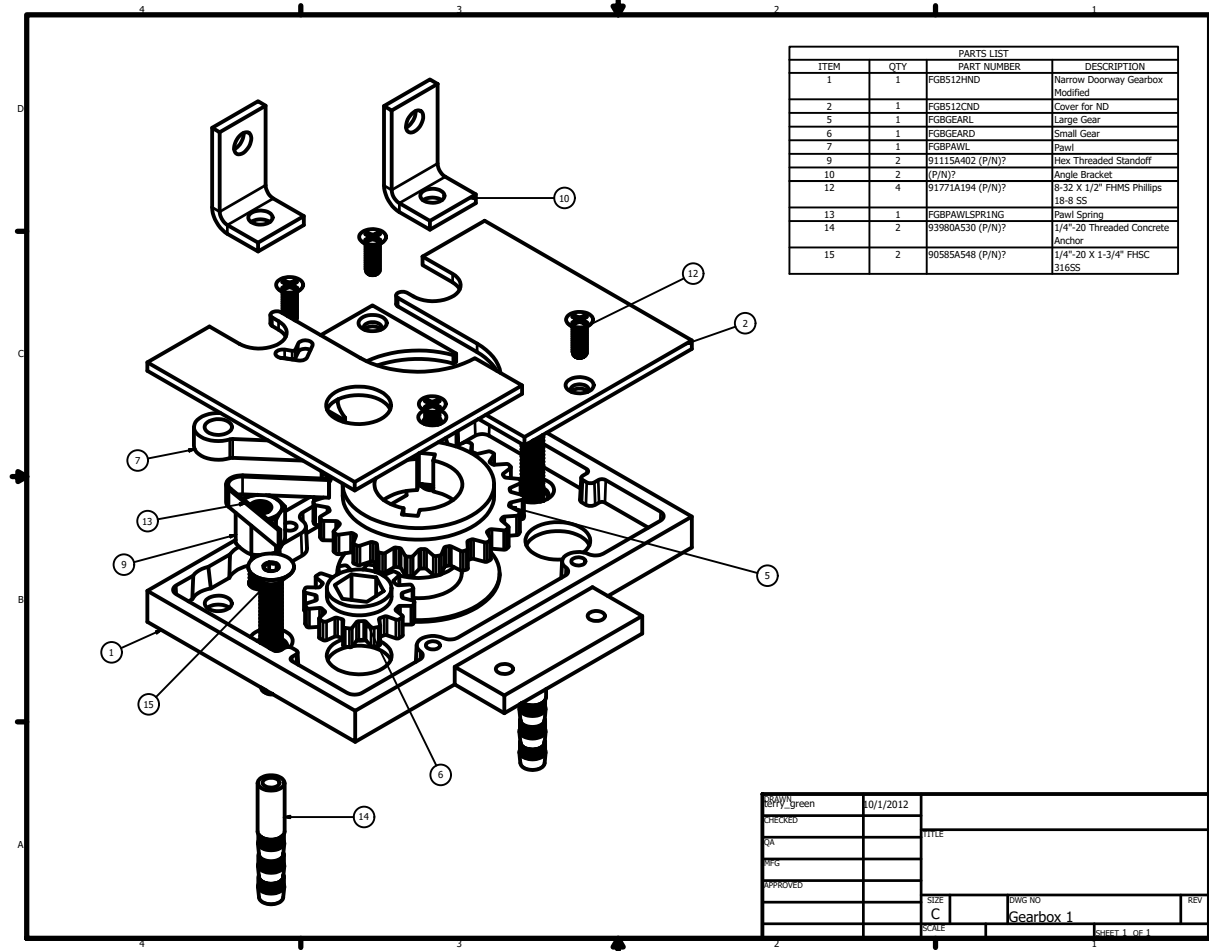
**CRL**

2603 E. Vermont Avenue, Los Angeles, CA 90058-1897  
 PH (800) 421-6144 FAX 800-587-7501 www.crlusa.com

Description:  
 CRL PREMIUM SERIES  
 BALANCED DOOR  
 U.S. ALUMINUM RAIL & STILE

Drawn By: TGM  
 Date: 11/15/18  
 Scale: AS NOTED  
 File Name: PS BD - U.S. ALUM RAIL & STILE.dwg  
 Sheet

2.06



PARTS LIST			
ITEM	QTY	PART NUMBER	DESCRIPTION
1	1	FGB512HND	Narrow Doorway Gearbox Modified
2	1	FGB512CND	Cover for ND
5	1	FGBGEARL	Large Gear
6	1	FGBGEARD	Small Gear
7	1	FGBPAWL	Pawl
9	2	91115A402 (P/N)?	Hex Threaded Standoff
10	2	(P/N)?	Angle Bracket
12	4	91771A194 (P/N)?	8-32 X 1/2" FHMS Phillips 18-8 SS
13	1	FGBPAWLSRING	Pawl Spring
14	2	93980A530 (P/N)?	1/4"-20 Threaded Concrete Anchor
15	2	90585A548 (P/N)?	1/4"-20 X 1-3/4" FHSC 316SS

DESIGNED BY	green	DATE	10/1/2012
CHECKED		TITLE	
DATE			
BY			
APPROVED		SIZE	C
		DWG NO	Gearbox 1
		SCALE	
		SHEET	1 OF 1

Revisions By:



2603 E. Vernon Avenue, Los Angeles, CA 90058-1897  
 PH (800)-421-6144 FAX (800)-567-7501 www.crlusa.com

Description:  
 CRL PREMIUM SERIES  
 BALANCED DOOR  
 U.S. ALUMINUM RAIL & STILE

Drawn By: TGM  
 Date: 11/15/18  
 Scale: AS NOTED  
 File Name: PS BD - U.S. ALUM RAIL & STILE.dwg

Sheet  
 3.01