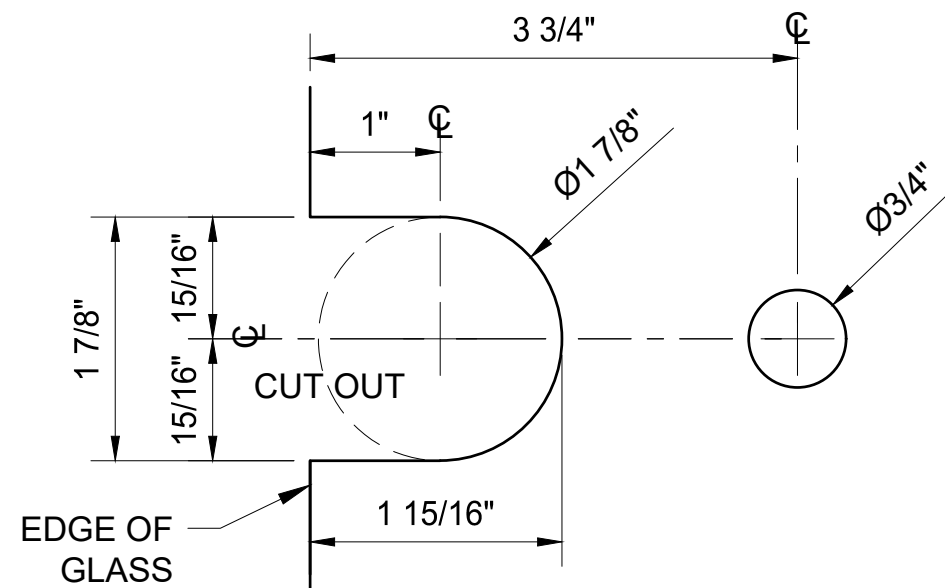
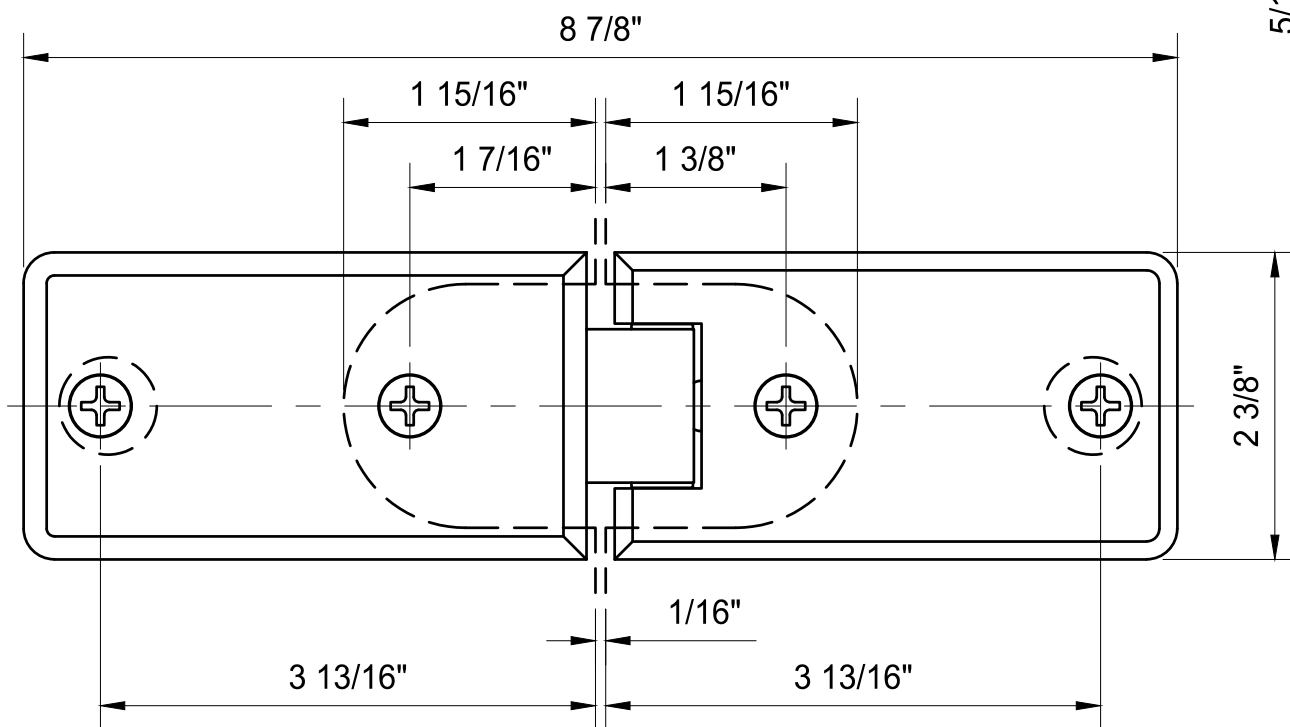
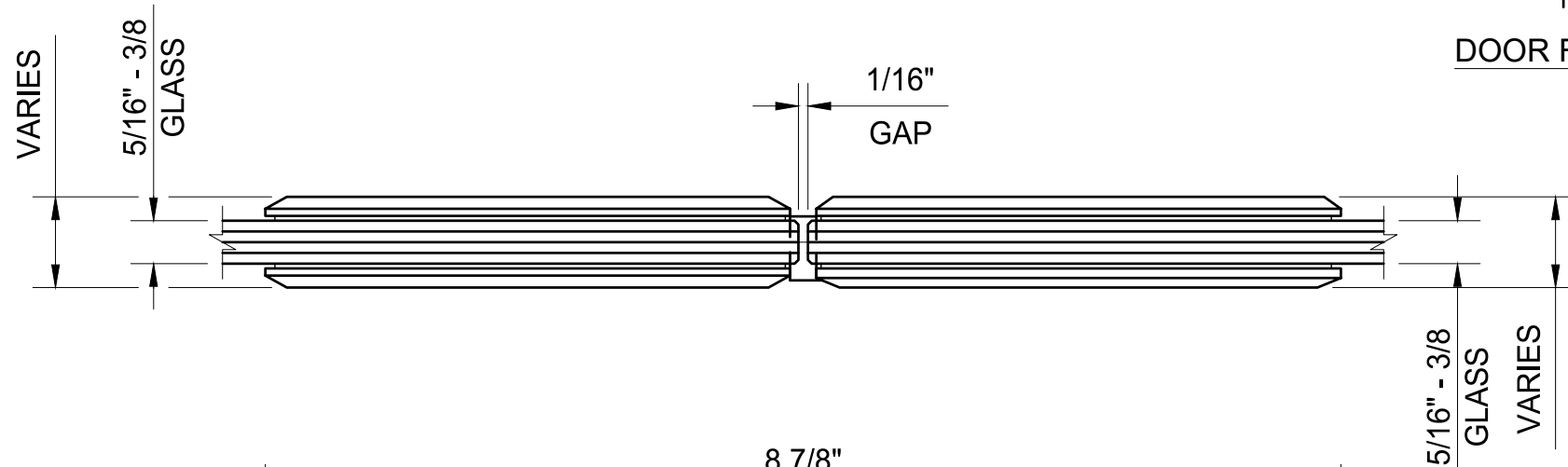


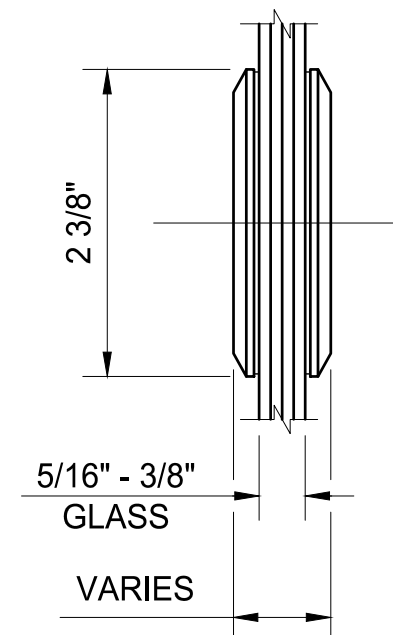
USE OF GASKETS

FOR 5/16" (8mm) GLASS: USE ONE THICK GASKET ON EACH SIDE

FOR 3/8" (10mm) GLASS: USE ONE THIN GASKET ON ONE SIDE AND ONE THICK GASKET ON THE OTHER SIDE



DOOR FABRICATION TEMPLATE



CATALOG NUMBER	FINISH
GRA180CH	CHROME
GRA180BR	BRASS
GRA180BN	BRUSHED NICKEL
GRA180GP	GOLD PLATED
GRA180SC	SATIN CHROME

GRA180XX - CRL GRANDE SERIES 180° GLASS TO GLASS HINGE

DESCRIPTION: CRL GRA180
CTS

CRL GRANDE SERIES
180 DEGREE GLASS TO GLASS HINGE

C.R. LAURENCE CO. ARCHITECTURAL PRODUCTS
2503 E. Vernon Avenue, Los Angeles, C.A. 90058-1897
PH (800)-421-6144 FX: 800-587-7501 www.crlaurence.com



DATE: 1/14/19

SCALE: 6"=1'-0"

DRAWN BY: VM