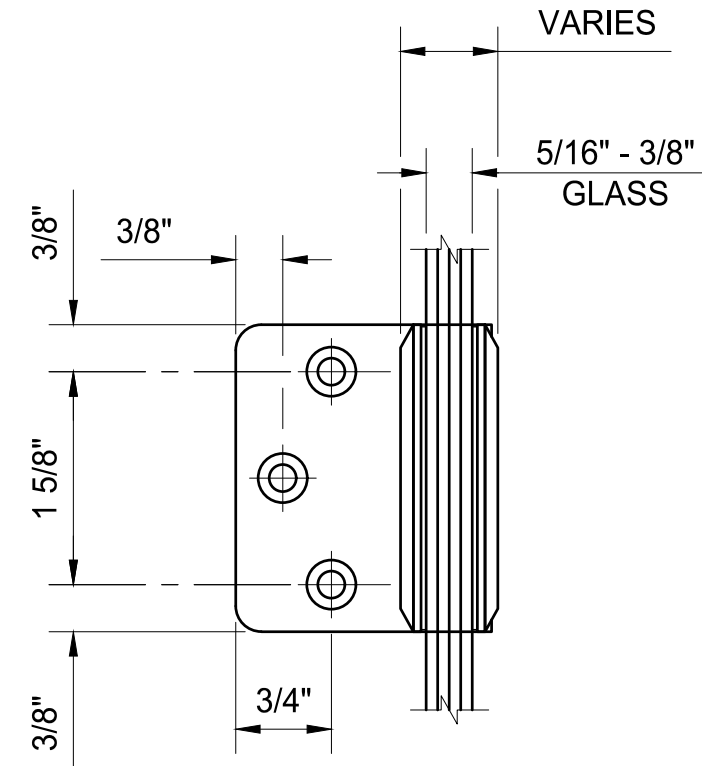
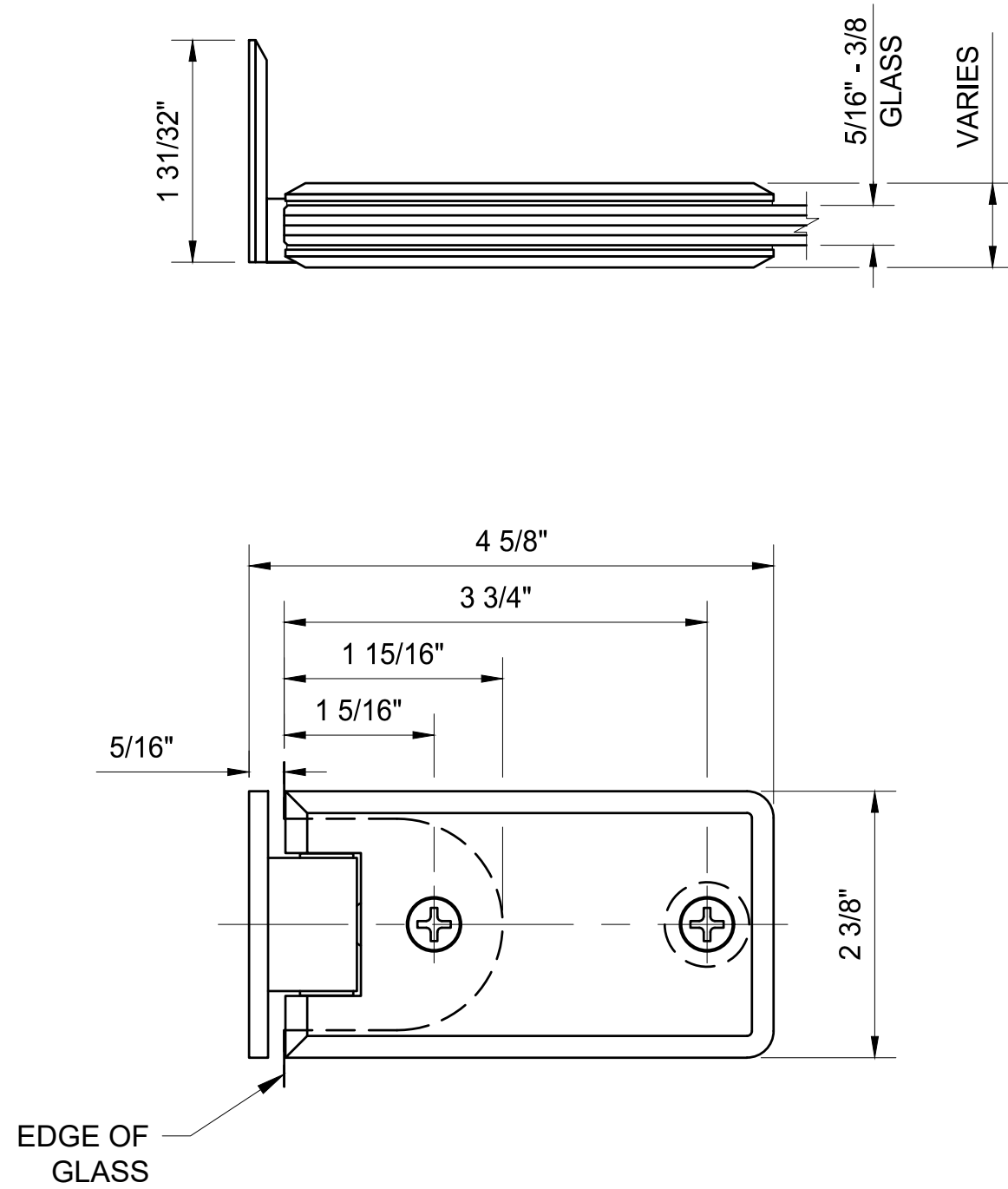


USE OF GASKETS

FOR 5/16" (8mm) GLASS: USE ONE THICK GASKET ON EACH SIDE

FOR 3/8" (10mm) GLASS: USE ONE THIN GASKET ON ONE SIDE AND ONE THICK GASKET ON THE OTHER SIDE



| CATALOG NUMBER | FINISH         |
|----------------|----------------|
| GRA344CH       | CHROME         |
| GRA344BR       | BRASS          |
| GRA344BN       | BRUSHED NICKEL |
| GRA344SC       | SATIN CHROME   |

GRA344XX - CRL GRANDE SERIES ADJUSTABLE OFFSET WALL MOUNT HINGE



C.R. LAURENCE CO. ARCHITECTURAL PRODUCTS  
 2503 E. Vernon Avenue, Los Angeles, C.A. 90058-1897  
 PH (800)-421-6144 FX: 800-587-7501 www.crlaurence.com

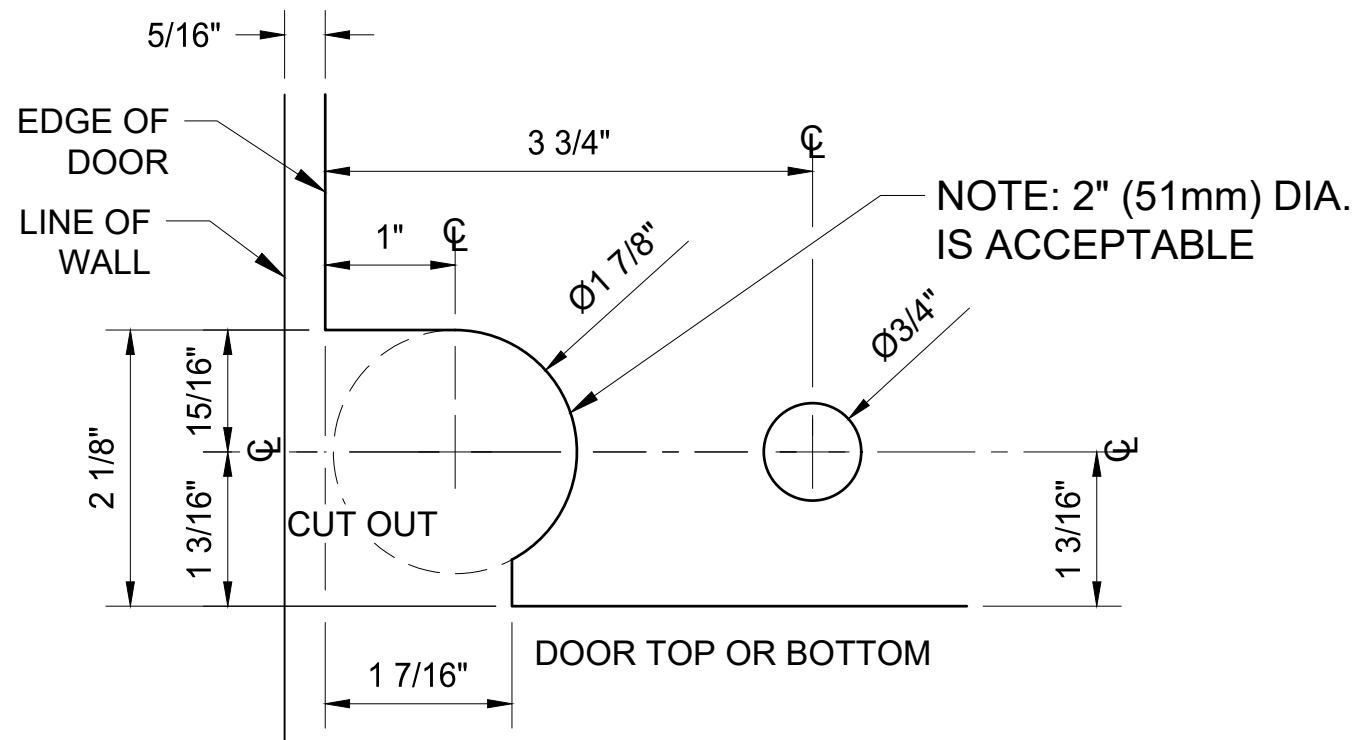
DESCRIPTION: CRL GRA344  
 CTS  
 CRL GRANDE SERIES  
 OFFSET WALL MOUNT ADJUSTABLE HINGE

DATE: 1/15/19  
 SCALE: 6"=1'-0"  
 DRAWN BY: VM

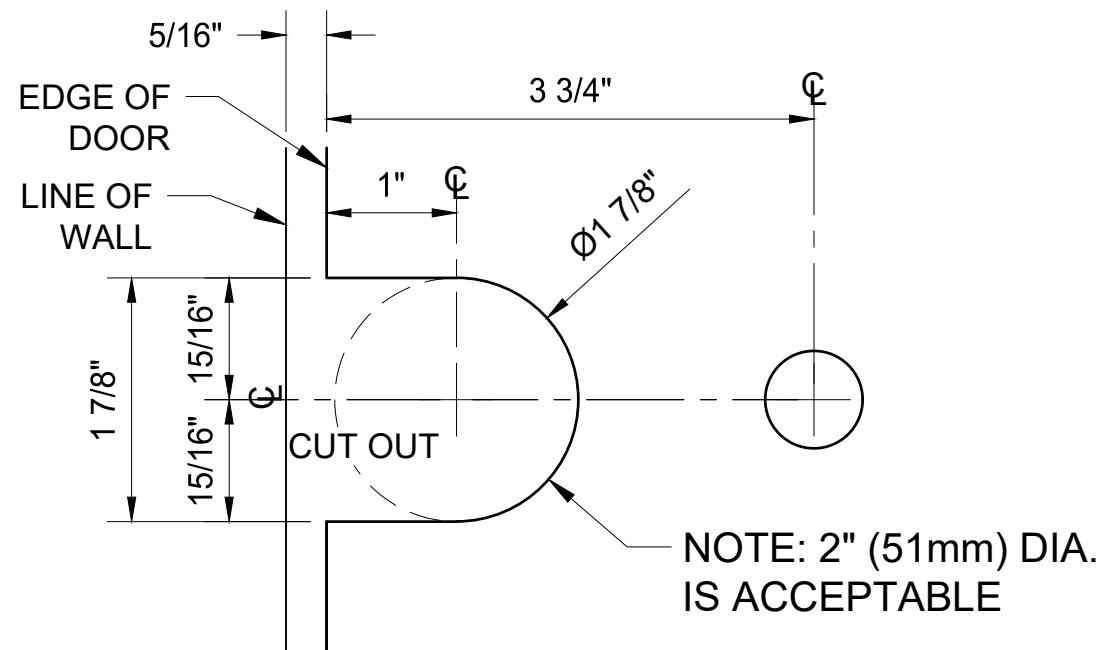
USE OF GASKETS

FOR 5/16" (8mm) GLASS: USE ONE THICK GASKET ON EACH SIDE

FOR 3/8" (10mm) GLASS: USE ONE THIN GASKET ON ONE SIDE AND ONE THICK GASKET ON THE OTHER SIDE



GLASS FABRICATION TOP & BOTTOM CORNER MOUNT OPTION



GLASS FABRICATION OFFSET MOUNT OPTION

| CATALOG NUMBER | FINISH         |
|----------------|----------------|
| GRA344CH       | CHROME         |
| GRA344BR       | BRASS          |
| GRA344BN       | BRUSHED NICKEL |
| GRA344SC       | SATIN CHROME   |

GRA344XX - CRL GRANDE HINGE TEMPLATE

DATE: 1/15/19

SCALE: 6"=1'-0"

DRAWN BY: VM

DESCRIPTION: CRL GRA344  
CTS  
CRL GRANDE SERIES  
OFFSET WALL MOUNT ADJUSTABLE HINGE

C.R. LAURENCE CO. ARCHITECTURAL PRODUCTS  
2503 E. Vernon Avenue, Los Angeles, C.A 90058-1897  
PH (800)-421-6144 FX: 800-587-7501 www.crlaurence.com

