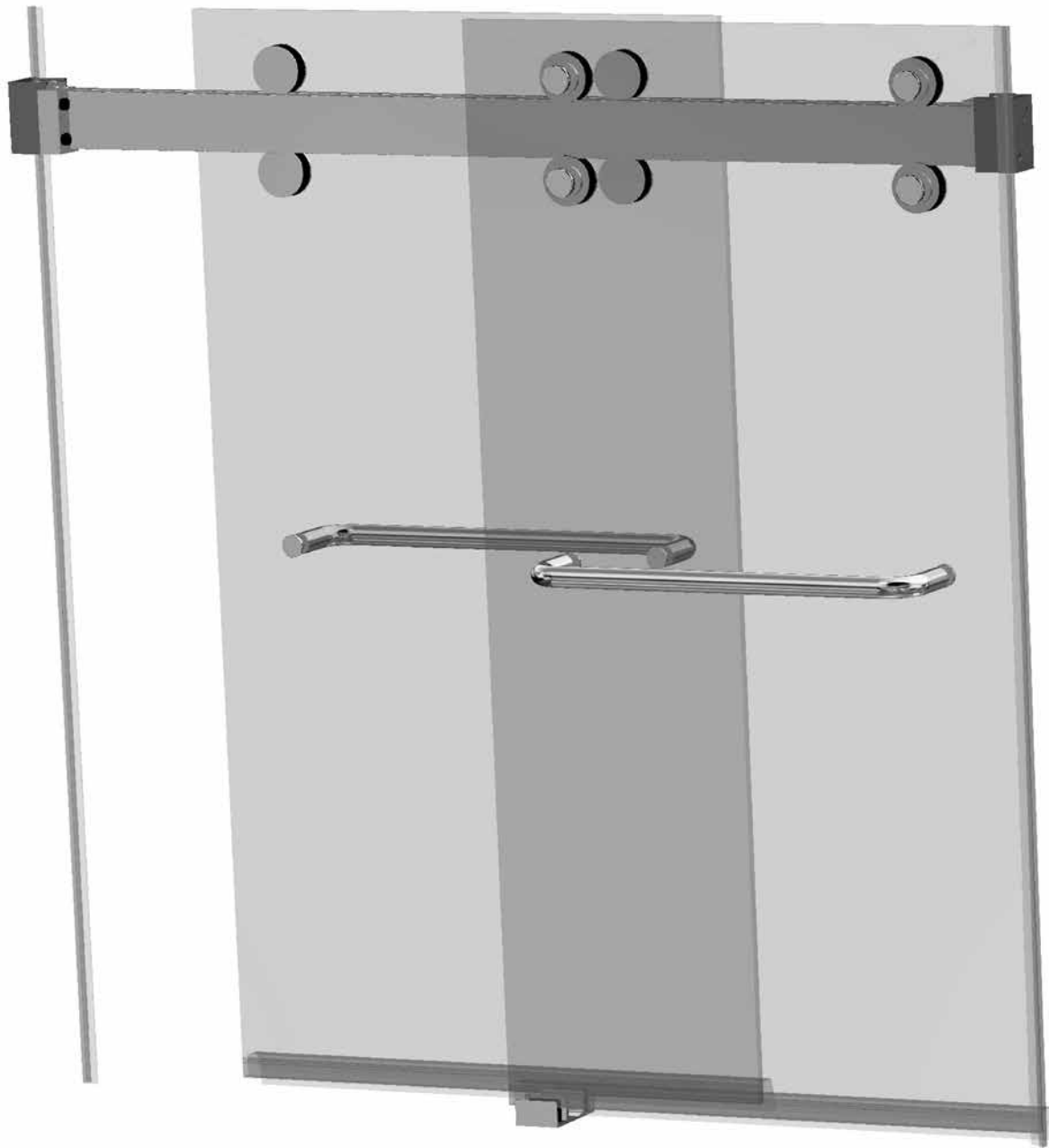


SORRENTO SLIDING SHOWER DOOR

ASSEMBLY INSTRUCTIONS FOR 180° SLIDING SHOWER DOOR KIT



NOTE: Glass not included.

SHORIZON®

28539 Industry Drive, Valencia, CA 91355

Toll Free Phone: (877) 728-3874

Phone: (661) 775-1675

Toll Free Fax: (888) 440-9567

Fax: (661) 775-1676

ushorizon.com

11M0344H

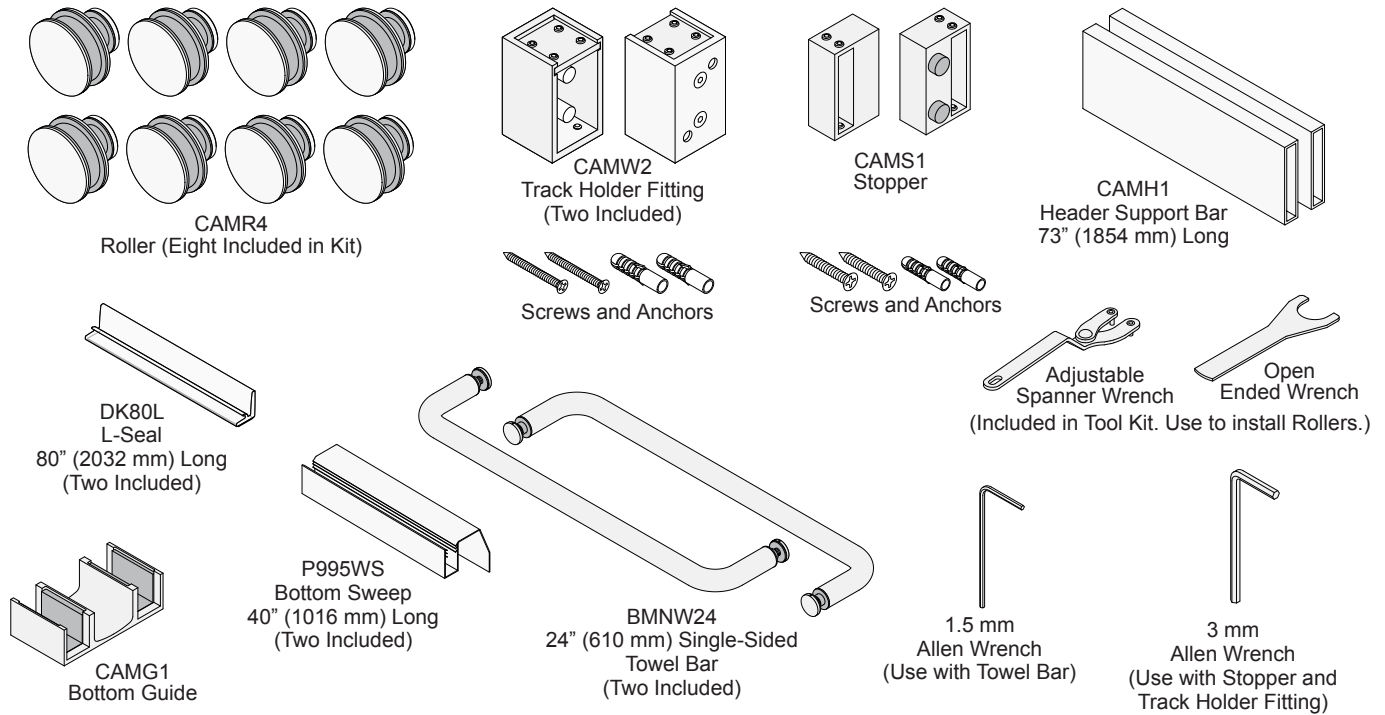
ORDER OF ASSEMBLY AND INSTALLATION

PARTS LIST	3
SPECIFICATIONS	3
GLASS FABRICATION	4
SLIDING DOOR PREPARATION	5
UNPACK ROLLERS	5
INSTALL TOP ROLLERS	5
INSTALL BOTTOM SWEEP	5
SITE PREPARATION	6
PREPARE FOR HEADER SUPPORT BAR	6
FRAME FABRICATION	6
CUT HEADER SUPPORT BAR	6
FRAME INSTALLATION	7
MOUNT TRACK HOLDER FITTINGS	7 - 8
INSTALL DOOR STOPPERS	7
INSTALL HEADER	7
HANG SLIDING DOORS	8
INSTALL BOTTOM DOOR GUIDE	8
SLIDING DOOR INSTALLATION	9
HANG ONE SLIDING DOOR	9
INSTALL BOTTOM ROLLERS	9
INSTALL SECOND DOOR	9
POSITION AND SECURE DOOR STOPS	9

IMPORTANT: READ THIS MANUAL THOROUGHLY BEFORE BEGINNING INSTALLATION.

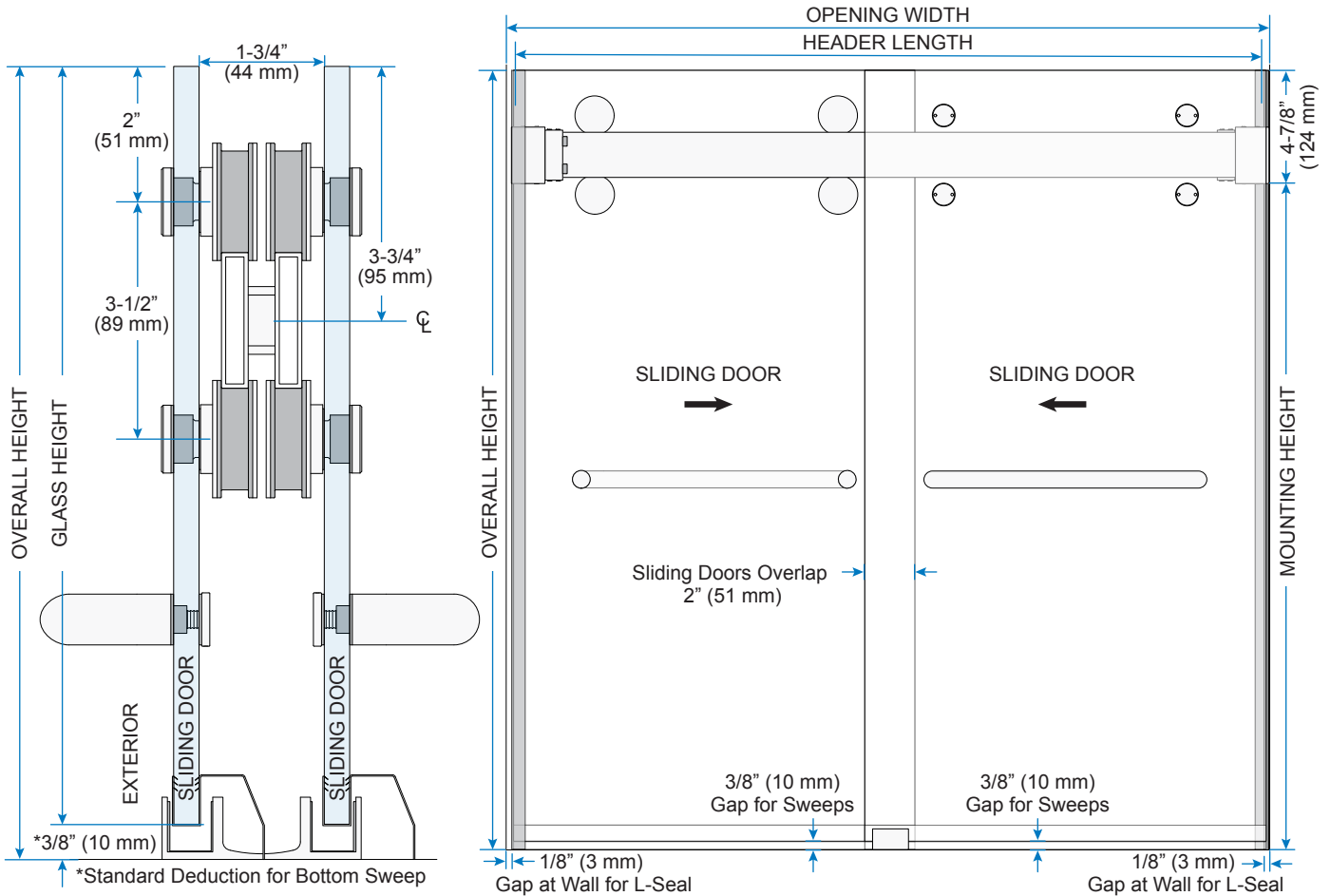
SORRENTO SLIDING SHOWER DOOR KIT

PARTS LIST



SPECIFICATIONS

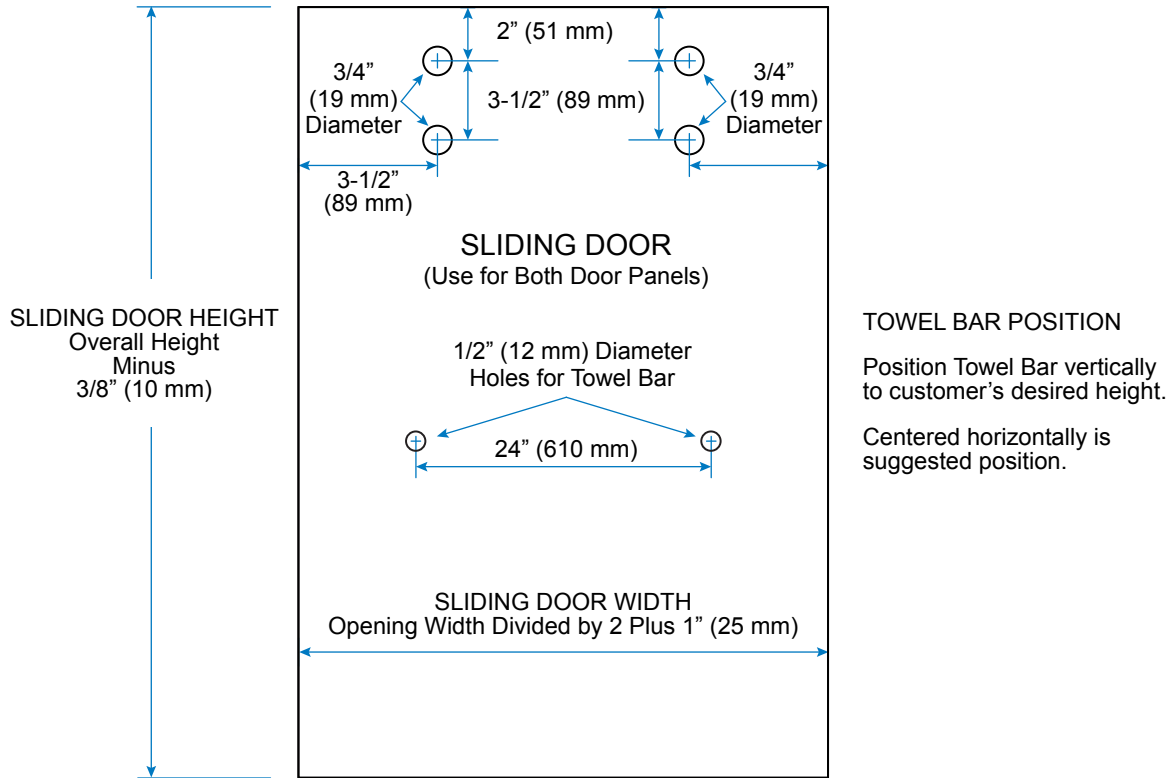
Drawing not to scale. Shown from exterior.



SORRENTO SLIDING SHOWER DOOR KIT

GLASS FABRICATION

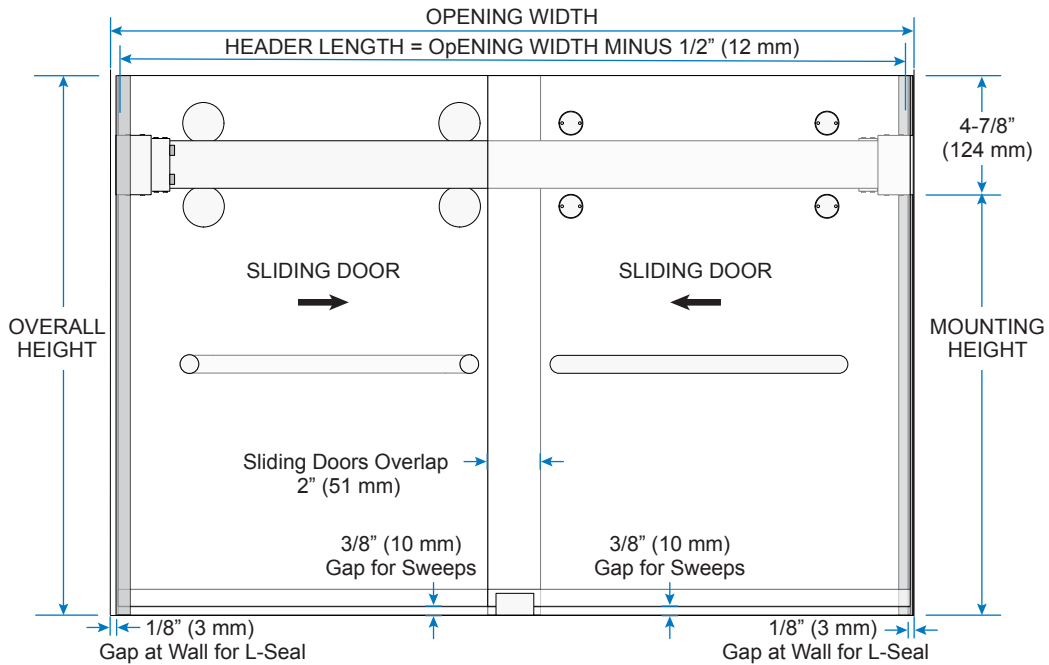
Use 5/16" or 3/8" (8 or 10 mm) Tempered Glass only. Do not use Laminated Glass.



SLIDING DOOR HEIGHT: Overall Height minus 3/8" (10 mm)

SLIDING DOOR WIDTHS: Overall Width divided by 2, plus 1" (25 mm).

Drawing not to scale. Shown from exterior.



NOTE: Drawings not shown to scale. Header Bar is cut 1/2" (12 mm) less than Opening Width. Use wall-to-wall tight dimension. Overall Height is height from curb/floor to top of glass.

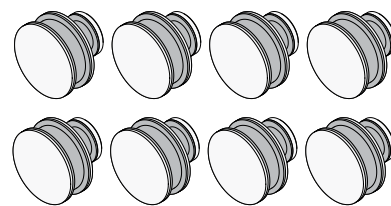
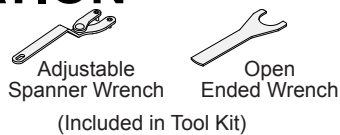
SORRENTO SLIDING SHOWER DOOR KIT

SLIDING DOOR PREPARATION

Unpack Rollers

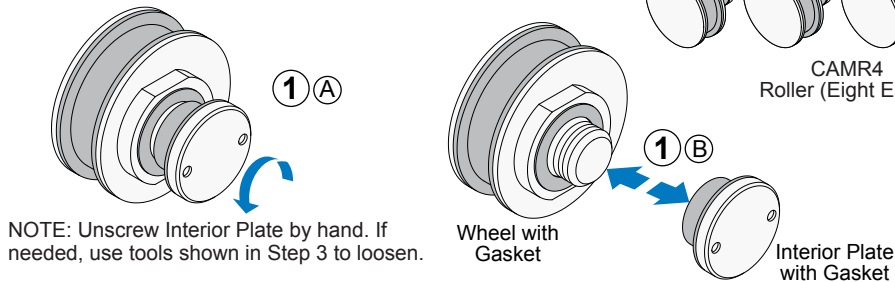
- 1 Unpack and partially disassemble four sets of Rollers.

NOTE: Rollers shipped assembled. tools to install included.



Install Top Rollers

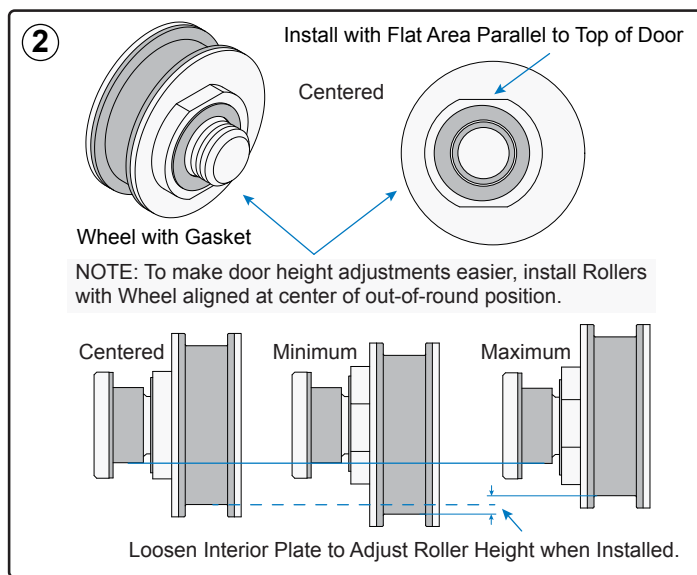
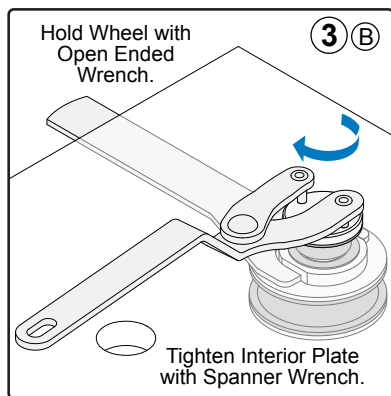
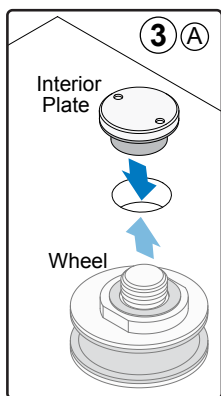
- 2 Adjust wheel height.
- 3 Install Top Rollers on both Sliding Doors.



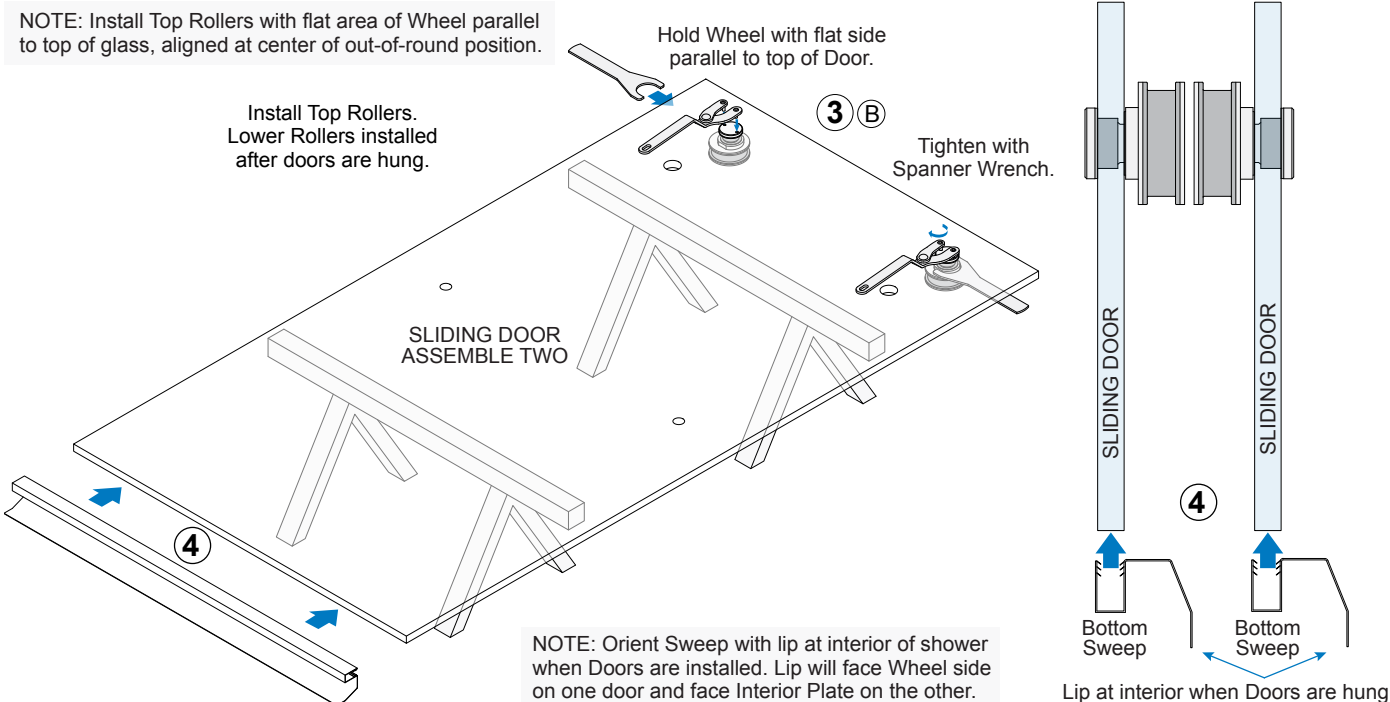
NOTE: Lower Rollers are installed after doors are hung. See Page 10.

Install Bottom Sweep

- 4 Cut Bottom Sweeps to door width. Fit on the bottom of each door.



NOTE: Install Top Rollers with flat area of Wheel parallel to top of glass, aligned at center of out-of-round position.



SITE PREPARATION

Prepare for Header Support Bar

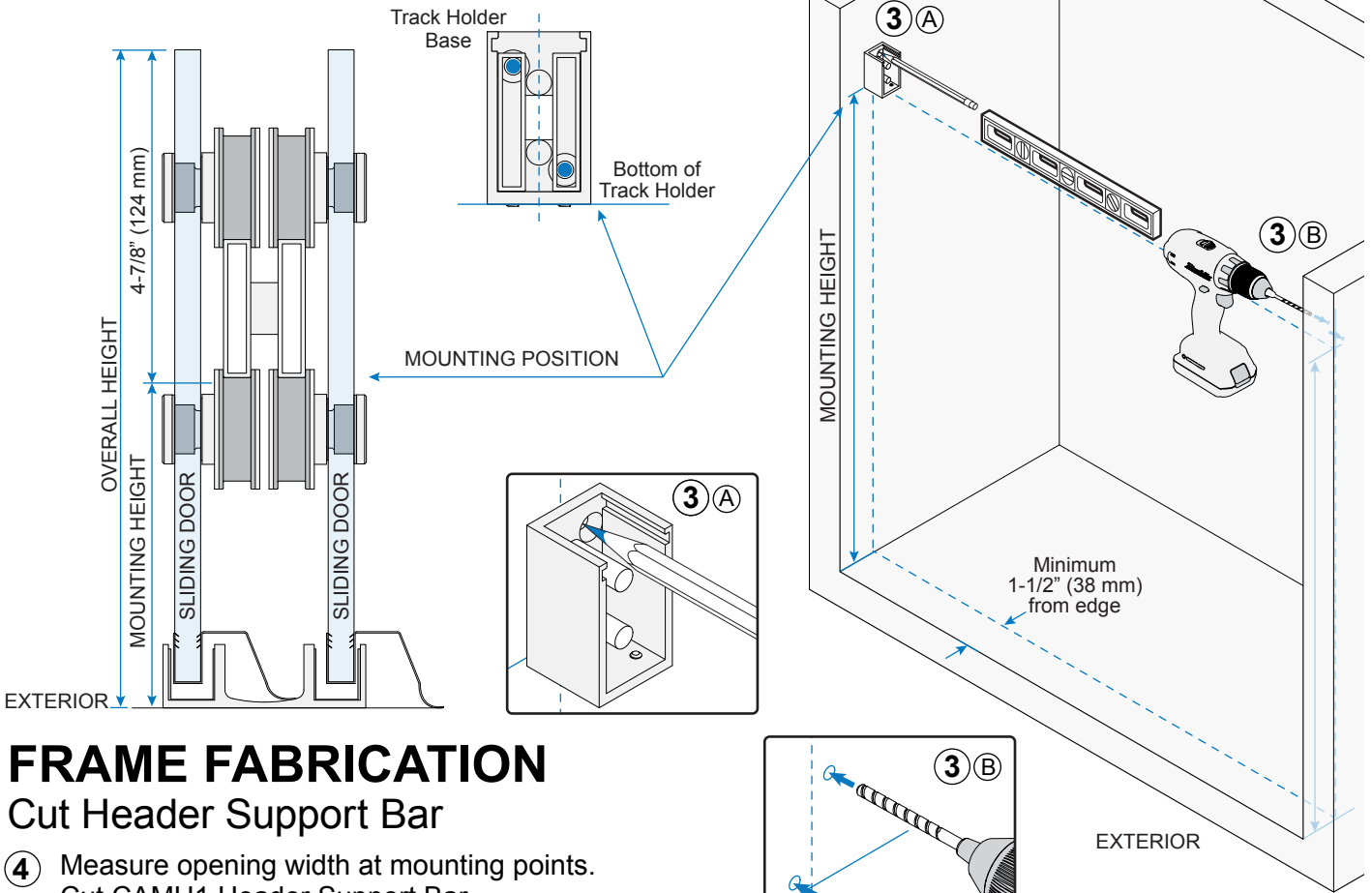
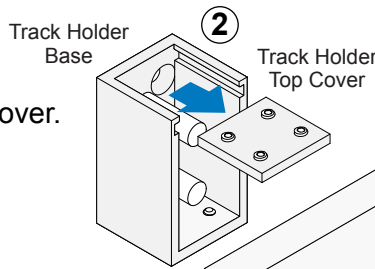
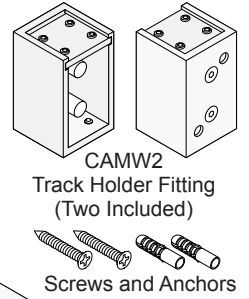
- 1 Determine Mounting Height and mark wall.

NOTE: Allow minimum 1-1/2" (38 mm) from edge of curb.

- 2 Unpack Track Holder Fittings. Remove top cover.

- 3 Using Track Holder Fitting Base as a guide, mark and drill holes for Header Support Bar.

NOTE: Track Holder Fittings shown orientated for installation. Set Screws at Top Cover secure Header in place. Set Screws at bottom base adjust Header height if needed after installation.

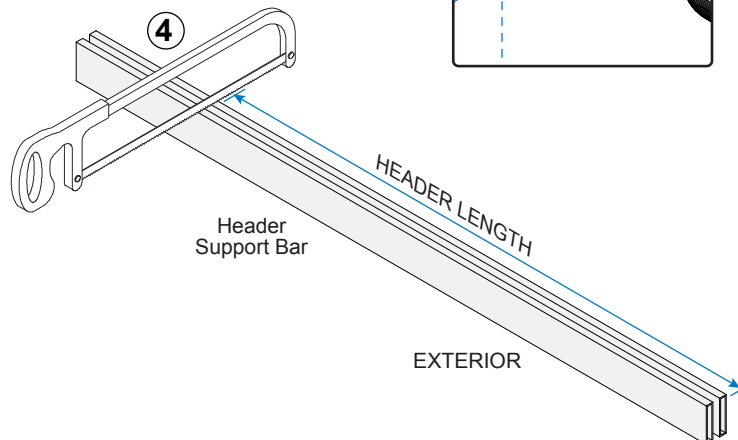


FRAME FABRICATION

Cut Header Support Bar

- 4 Measure opening width at mounting points. Cut CAMH1 Header Support Bar 1/2" (12 mm) shorter.

NOTE: Header Support Bar is made of stainless steel. Use hacksaw or special cutting tool.



FRAME INSTALLATION

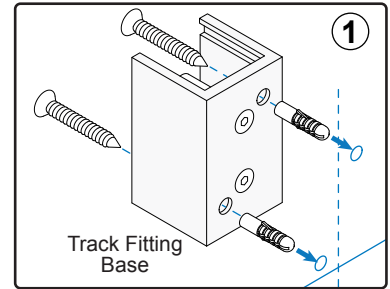
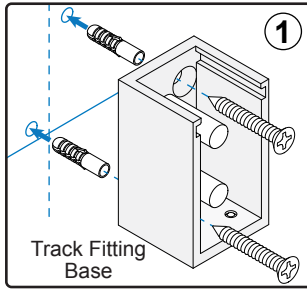
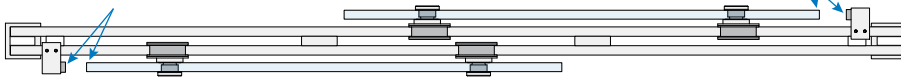
Mount Track Holder Fittings

- 1 Fasten Mounting Blocks to wall.

Install Door Stoppers

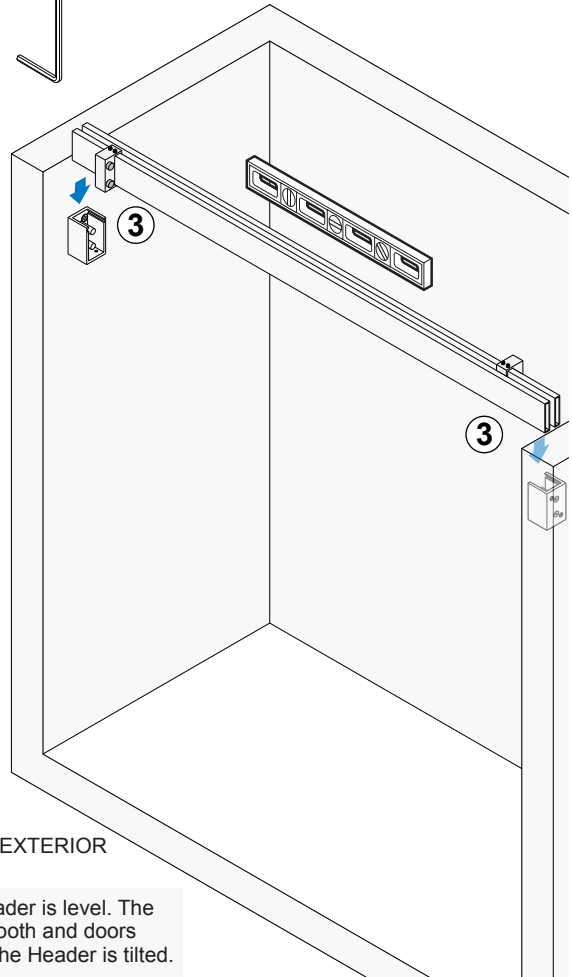
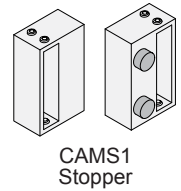
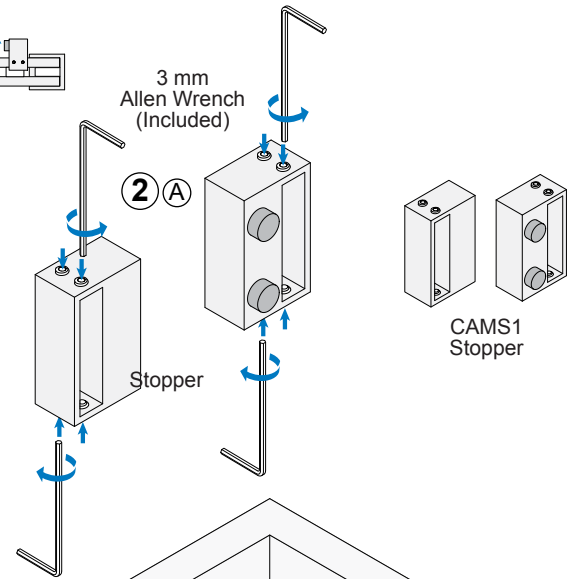
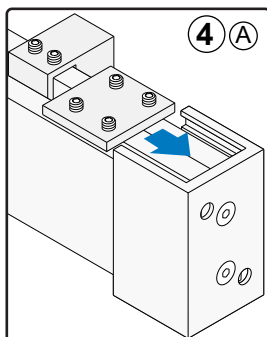
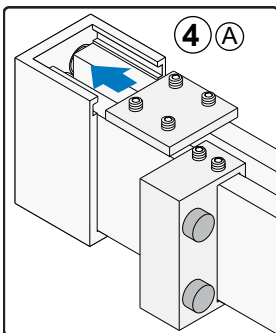
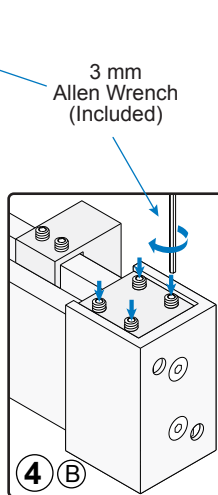
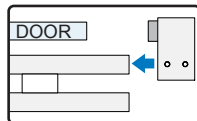
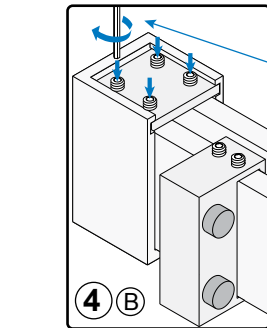
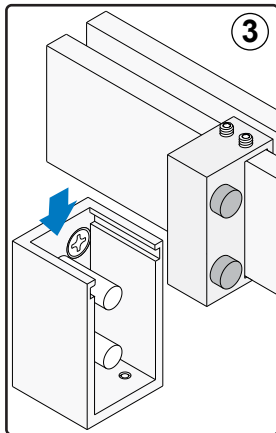
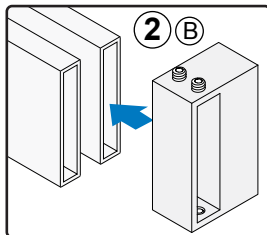
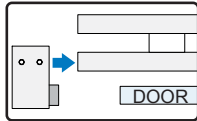
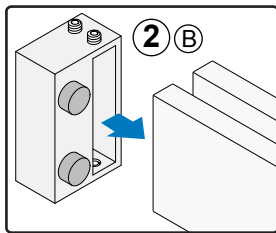
- 2 Unpack and loosen Set Screws on Door Stoppers. Slide onto Header. Do not tighten.

NOTE: Position Stoppers with Rubber Bumpers facing back of door in open position. Secure in place after Header is installed.



Install Header

- 3 Rest Header onto Track Fittings.
- 4 Slide Fitting Cover into Fitting Base. Tighten Set Screws to secure Header in place.



IMPORTANT: Ensure Header is level. The Rollers are extremely smooth and doors will move on their own if the Header is tilted.

FRAME INSTALLATION (CONTINUED)

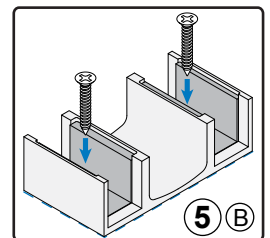
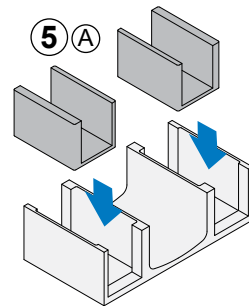
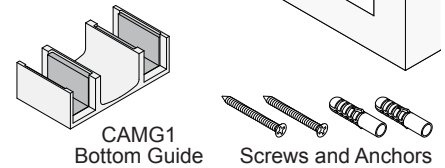
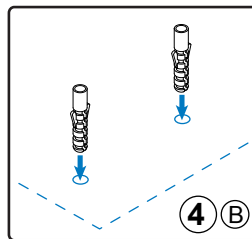
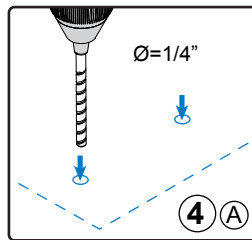
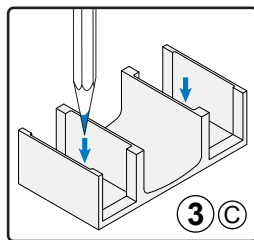
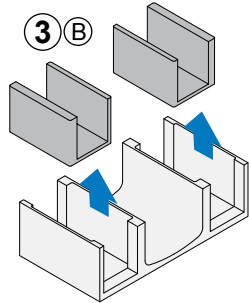
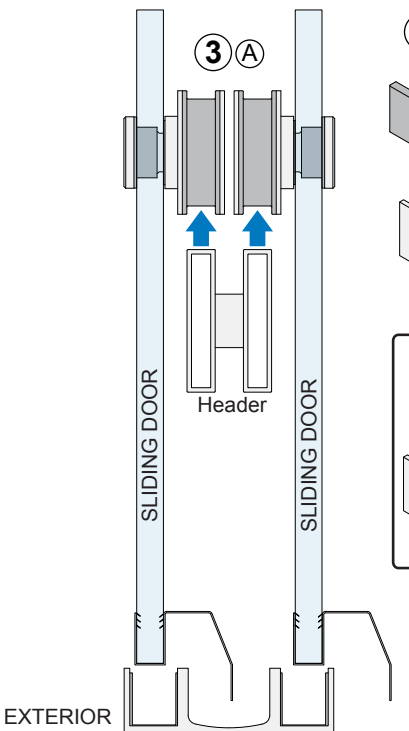
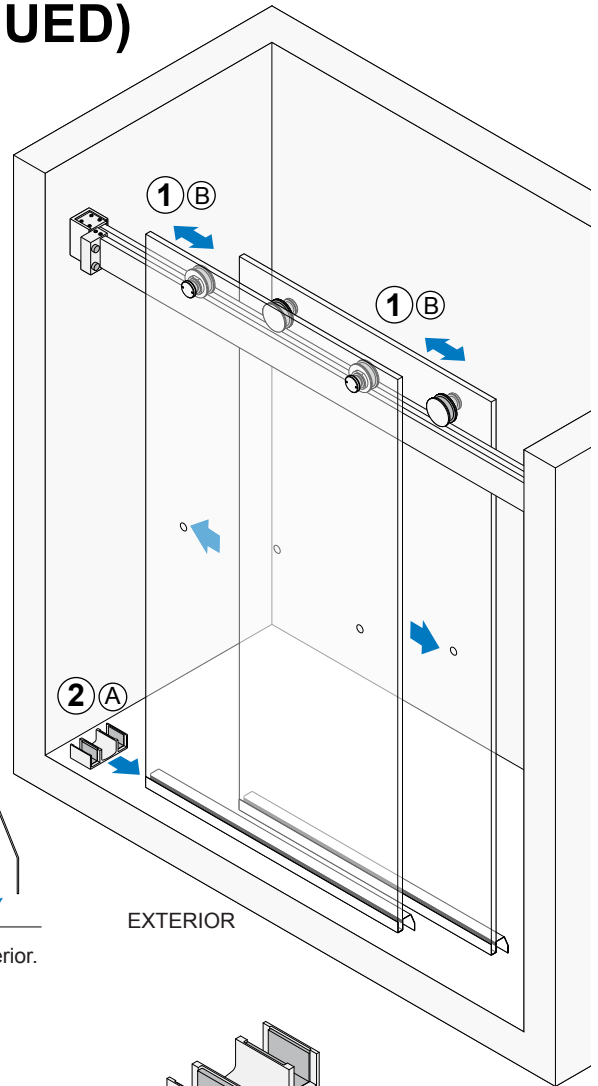
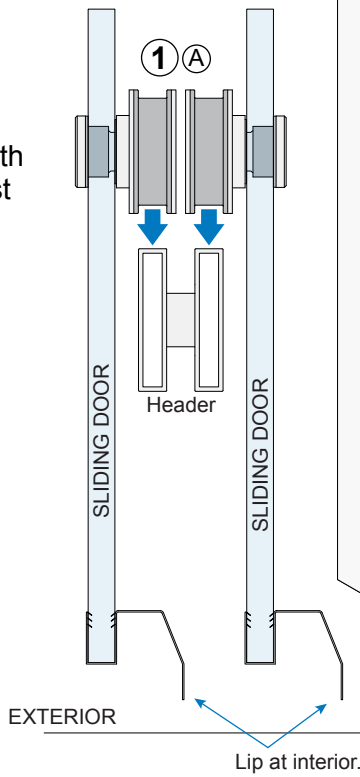
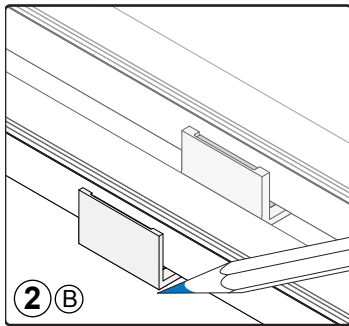
Hang Sliding Doors

- 1 Hang Sliding Doors and carefully slide back and forth to check height.

NOTE: See Page 5 to Prepare Doors before hanging and to adjust Roller height if needed.

Install Bottom Door Guide

- 2 Place Bottom Guide to engage with Sliding Doors. Close Doors, adjust Guide position and outline.
- 3 Remove Doors and Guide Inserts to mark holes.
- 4 Remove Guide. Drill hole and insert anchors.
- 5 Reassemble Guide and install.



SLIDING DOOR INSTALLATION

Hang One Sliding Door

- ① Prepare Bottom Rollers.
- ② Hang one Sliding Door placing Glass inside Bottom Guide.

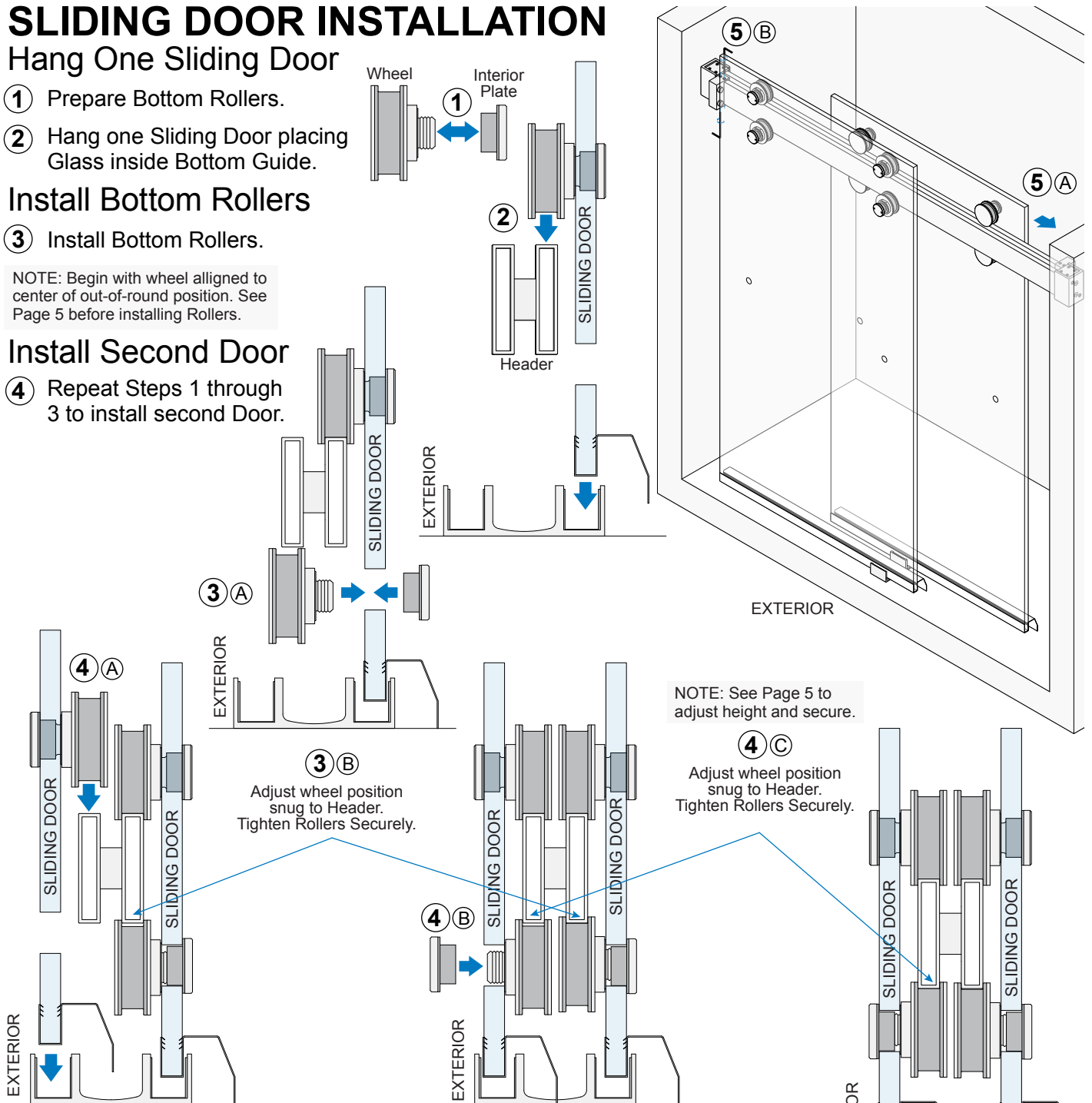
Install Bottom Rollers

- ③ Install Bottom Rollers.

NOTE: Begin with wheel aligned to center of out-of-round position. See Page 5 before installing Rollers.

Install Second Door

- ④ Repeat Steps 1 through 3 to install second Door.

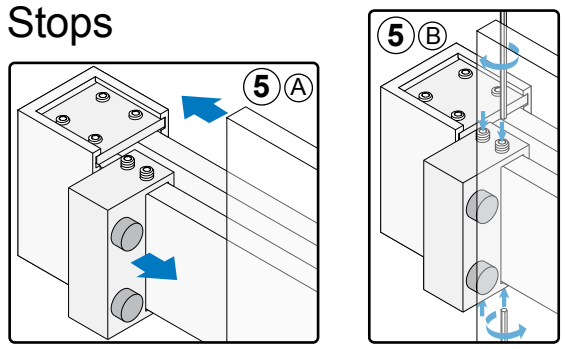


NOTE: See Page 5 to adjust height and secure.

- ④ C Adjust wheel position snug to Header. Tighten Rollers Securely.

Position and Secure Door Stops

- ⑤ Open each Door to maximum open position. Position and tighten each Stopper.



FINISHING

Unpack and Install Thru-Glass Pull

- 1 Unpack and unscrew Mounting Posts from Towel Bar Base.

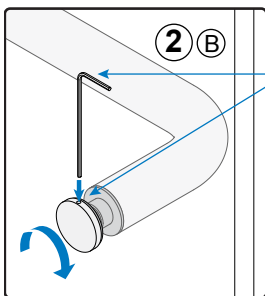
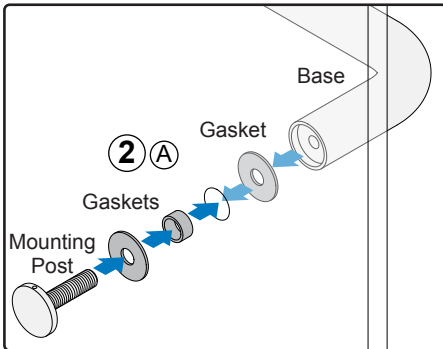
1 B

NOTE: Towel Bars shown at orientation when installed.

BMNW24
24" Single-Sided Towel Bar
(Two Included)

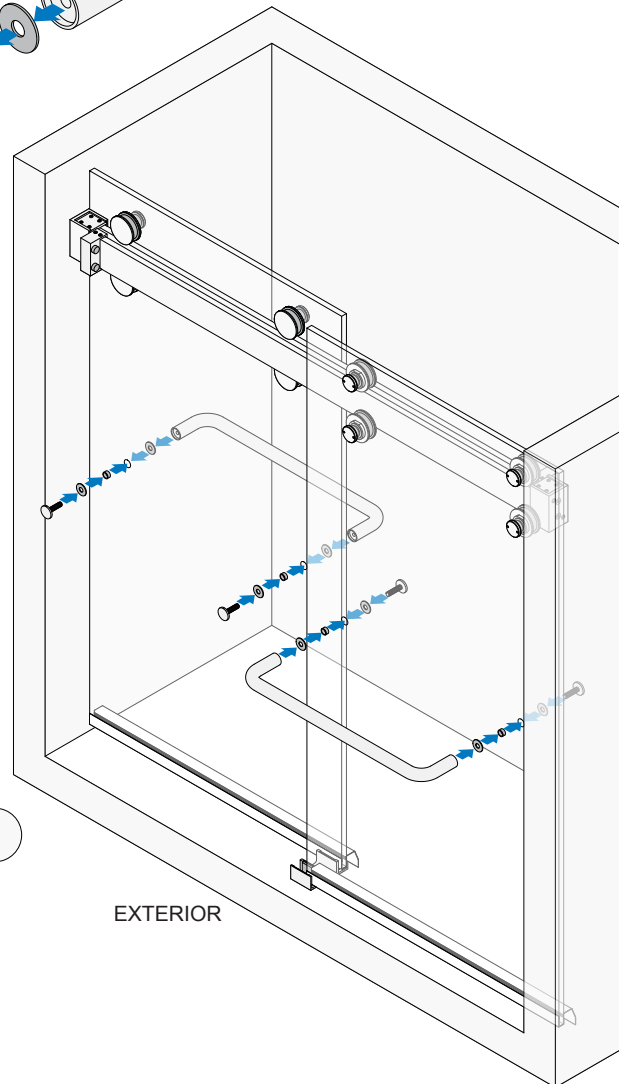
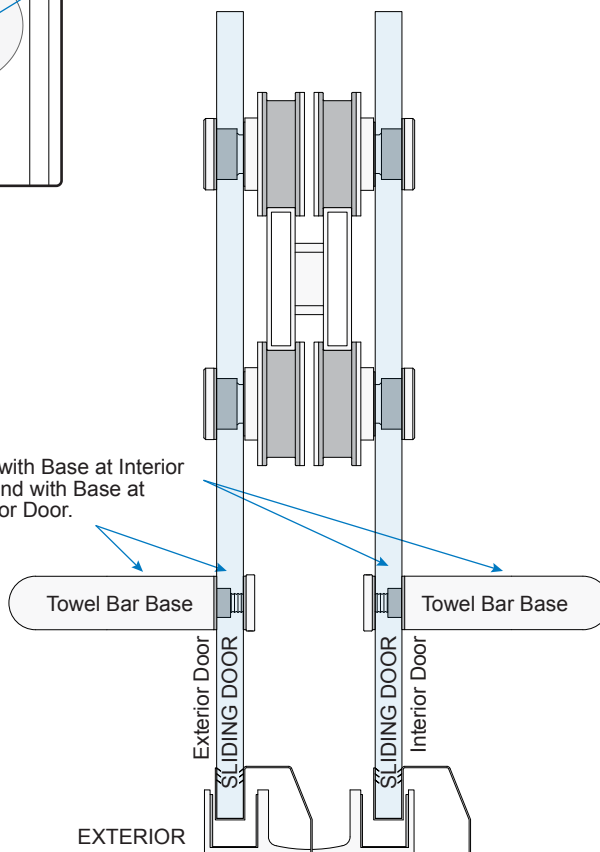
1 A

- 2 Reassemble on Shower Doors.



Screw Mounting Post into Base. Tighten completely using included Allen Wrench placed in hole in Post.

Orient Towel Bar with Base at Interior on Interior Door and with Base at Exterior on Exterior Door.



FINISHING (CONTINUED)

Install L-Seal

- ① Measure and Cut L-Seal.
- ② Install L-Seal on wall side of each Sliding Door.

NOTE: Temporarily attach L-Seal to each Door and use as guide for final position.

