

Quote/Order Request Form

Date _____

Name _____
 Email _____
 Phone Number _____

Company _____
 Account Number _____
 Job Name _____

Utilize this form to assist you in covering the details required to quote a GRS Cap Railing System. Going through this exercise should prevent you from overlooking any details related to your installation. **NOTE:** Stairway applications will require additional layout information. See typical layout drawing on the last page that needs to be filled out at time of order.

IMPORTANT: Depending on the complexity of your project, one or more of the following may be required to accurately order: sketches or drawings of your particular application with dimensions; printed architectural drawings or CAD files; photos of the job site conditions (digital images are preferable).

NOTE: Please download and submit completed form to railings.archmetals@crlaurence.com. A final sign off is required prior to any custom fabrication.

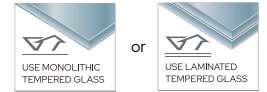
Glass Railing System Checklist Area:

GLASS RAILING STYLE

- Glass Railing System with Cap Rail
- Glass Railing System with Hand Rail Only
- Glass Railing System with Cap Rail and Hand Rail

CAP RAIL PROFILE

- Round Profile Cap Rail Oval Profile Cap Rail
- Square Profile Cap Rail
- Other (Specify) _____



CAP RAIL SIZE

- 1-1/2" (38.1 mm)
- 2" (50.8 mm)
- 2-1/2" (63.5 mm)
- 3" (76.2 mm)
- 3-1/2" (88.9 mm)
- 4" (101.6 mm)
- Other (Specify) _____

FINISH

- Brushed Stainless Steel
- Polished Stainless Steel
- Polished Brass
- Satin Brass
- Mill Aluminum
- Satin Anodized
- Duranodic Bronze
- Custom Powder Coated Aluminum
- Custom (Specify) _____

GLASS THICKNESS

- 1/2" (12 mm) Monolithic Tempered Glass
- 5/8" (15 mm) Monolithic Tempered Glass
- 3/4" (19 mm) Monolithic Tempered Glass
- 9/16" (13.52 mm) Laminated Tempered Glass
- 11/16" (17.52 mm) Laminated Tempered Glass
- 13/16" (20.6 mm) Laminated Tempered Glass
- 1-1/16" (25.52 mm) Laminated Tempered Glass
(Glass not supplied by CRL)

GLASS RAILING END CAPS

- Brushed Stainless Steel
- Polished Stainless Steel
- Polished Brass
- Satin Brass
- Mill Aluminum
- Satin Anodized
- Duranodic Bronze
- Custom Powder Coated Aluminum
- Custom (Specify) _____

GLAZING METHOD

- Dry Glazed with TAPER-LOC® Tapers
- Wet Glazed with Kwixset® Expansion Cement

PRICE IN STOCK LENGTHS OR FABRICATED

- Stock Lengths
- Fabricated (Cut to Size by CRL)

BASE SHOE DRILLING

- Standard Drilling 12" (305 mm) on Center
- Standard Drilling 6" (152 mm) on Center
- Custom (Specify) _____

GLASS RAILING HEIGHT

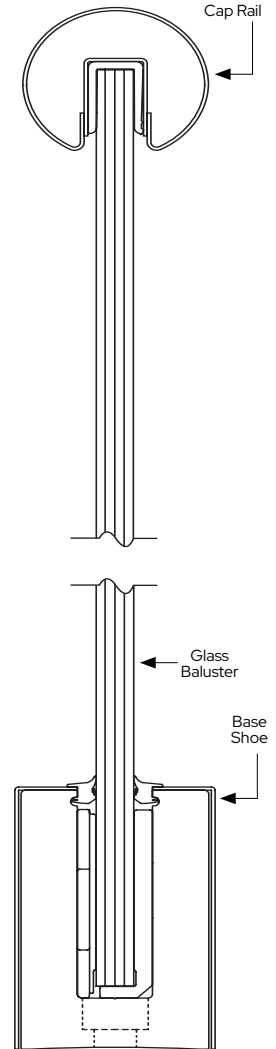
- 36" (914 mm)
- 42" (1067 mm)
- Other (Specify) _____

ATTACHMENT/MOUNTING

- Surface Mount (Top of Substrate)
- Embedded in Concrete Mount (Flush Set)
- Fascia Mount (Side Mounted)
- Other (Specify) _____

FLOOR CONDITION

- Flat
- Sloped _____ Degrees



RESET BUTTON

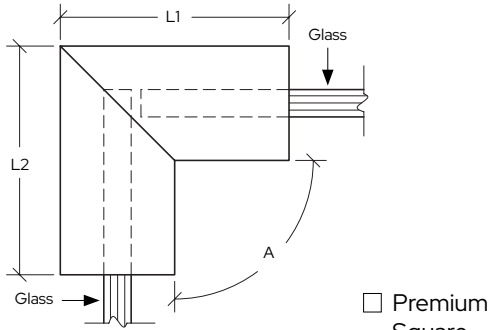
Please submit to:
railings.archmetals@crlaurence.com



Quote/Order Request Form

Quantity: _____ Cap Rail Size: _____ Glass Thickness: _____ Finish: _____

Horizontal Custom Corner Order Sheet



- Premium Square
- Crisp Corner

Plan View of Cap Rail With Long Point Dimensions

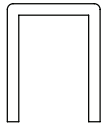
Specify Inches or Millimeters

Long Point of Cap Rail L1= _____

Long Point of Cap Rail L2= _____

Inside Angle A= _____

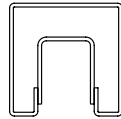
Notes: _____



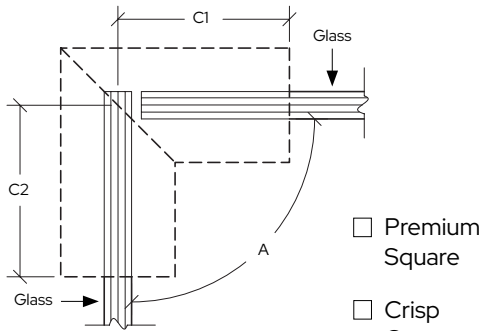
U-Channel



Round



Square



- Premium Square
- Crisp Corner

Plan View of Center Line Glass Dimensions

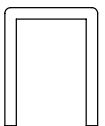
Specify Inches or Millimeters

Center of Line of Glass C1= _____

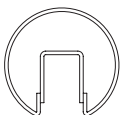
Center of Line of Glass C2= _____

Inside Angle A= _____

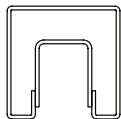
Notes: _____



U-Channel



Round



Square

RESET BUTTON

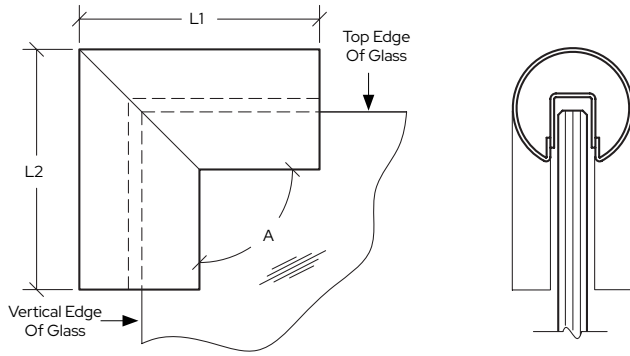
Please submit to:
railings.archmetals@crlaurence.com



Quote/Order Request Form

Quantity: _____ Cap Rail Size: _____ Glass Thickness: _____ Finish: _____

Vertical Custom Corner Order Sheet



Elevation of Cap Rail With Long Point Dimensions

Specify Inches or Millimeters

Long Point of Cap Rail L1= _____

Long Point of Cap Rail L2= _____

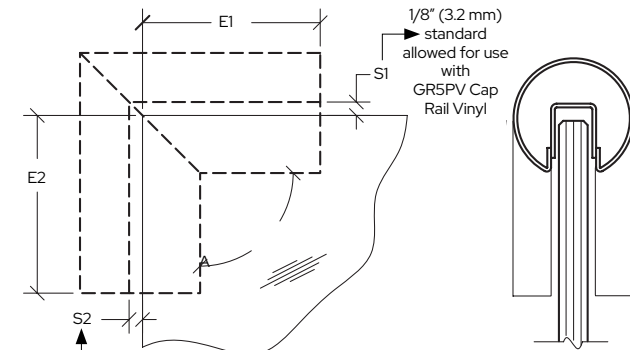
Inside Angle A= _____

Notes: _____

- Premium Square Crisp Corner



- U-Channel Round Square



Elevation of Cap Rail With Edge of Glass Dimensions

Specify Inches or Millimeters

End of Glass to End of Cap Rail E1= _____

End of Glass to End of Cap Rail E2= _____

Shim Space S1= _____

Shim Space S2= _____

Inside Angle A= _____

Notes: _____

- Premium Square Crisp Corner



- U-Channel Round Square

RESET BUTTON

Please submit to:
railings.archmetals@crlaurence.com



Practice Methods for Measuring Stairways

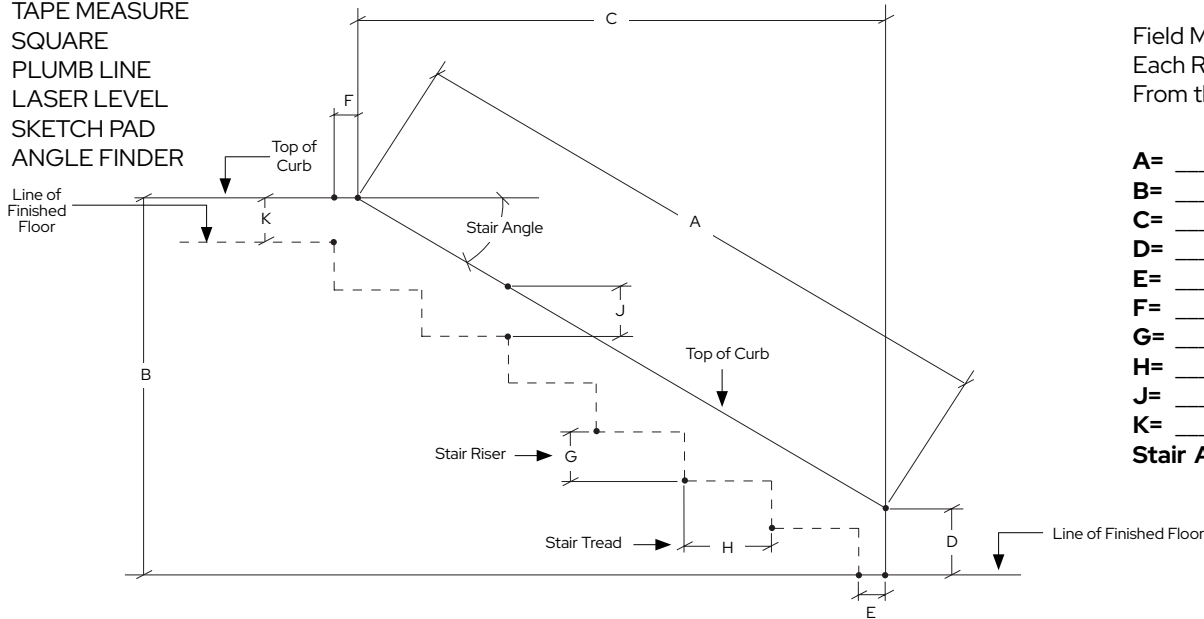
When measuring an existing stairway for CRL's Glass Railing System please keep in mind the importance of every measurement that is needed to produce the required railing system. Measure every dimension that is indicated below to ensure your railing system is produced correctly.

Style #1 Measuring Curb Mount/Stringer Mount Stairways Dimensions Needed for Tread Mounted Post Rail System

Important: Depending on the complexity of your project, one or more of the following may be required to accurately order: sketches or drawings of your particular application with dimensions; printed architectural drawings or cad files; photos of the job site conditions (digital images are preferable).

REQUIRED TOOLS

- TAPE MEASURE
- SQUARE
- PLUMB LINE
- LASER LEVEL
- SKETCH PAD
- ANGLE FINDER

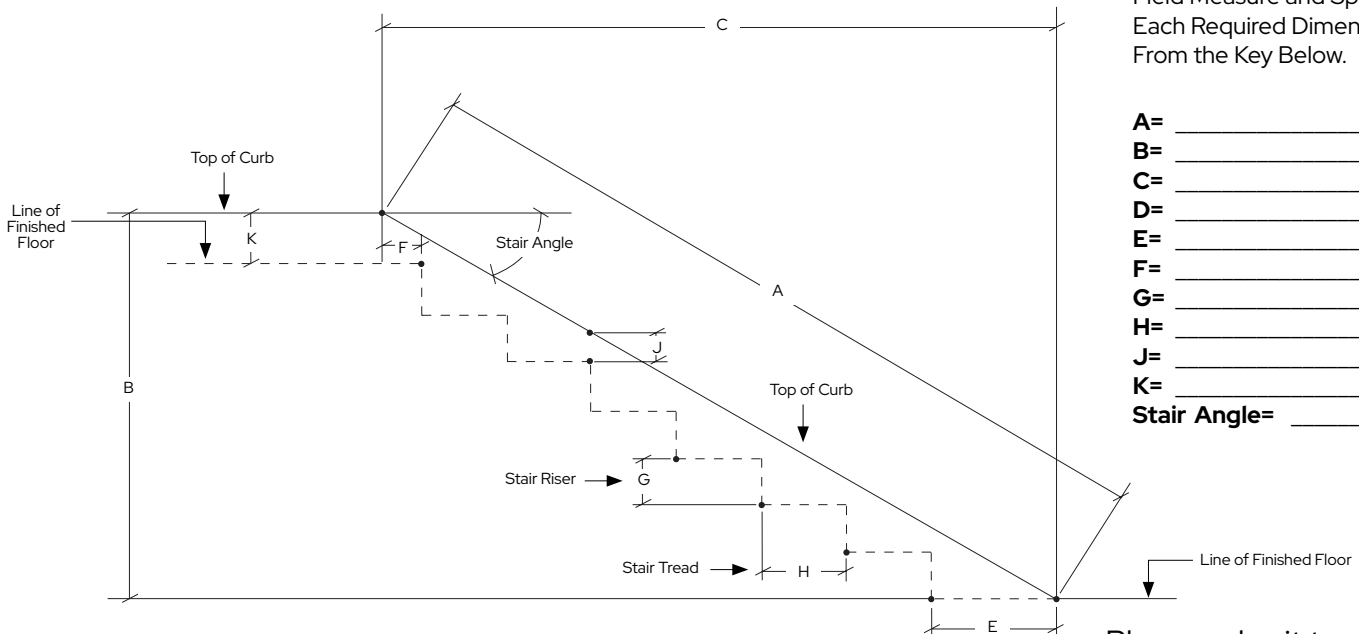


Field Measure and Specify Each Required Dimension From the Key Below.

- A= _____
- B= _____
- C= _____
- D= _____
- E= _____
- F= _____
- G= _____
- H= _____
- J= _____
- K= _____
- Stair Angle= _____

Style #2 Measuring Extended Curb Mount/Extended Stringer Mount Stairways Dimensions Needed for Tread Mounted Post Rail System

Field Measure and Specify Each Required Dimension From the Key Below.



- A= _____
- B= _____
- C= _____
- D= _____
- E= _____
- F= _____
- G= _____
- H= _____
- J= _____
- K= _____
- Stair Angle= _____

RESET BUTTON

Please submit to:
railings.archmetals@crlaurence.com

