

Revisions By:



2503 E. Vernon Avenue, Los Angeles, CA 90058-1897  
 PH (800)-421-6144 FX: 800-597-7501 www.crlaurence.com

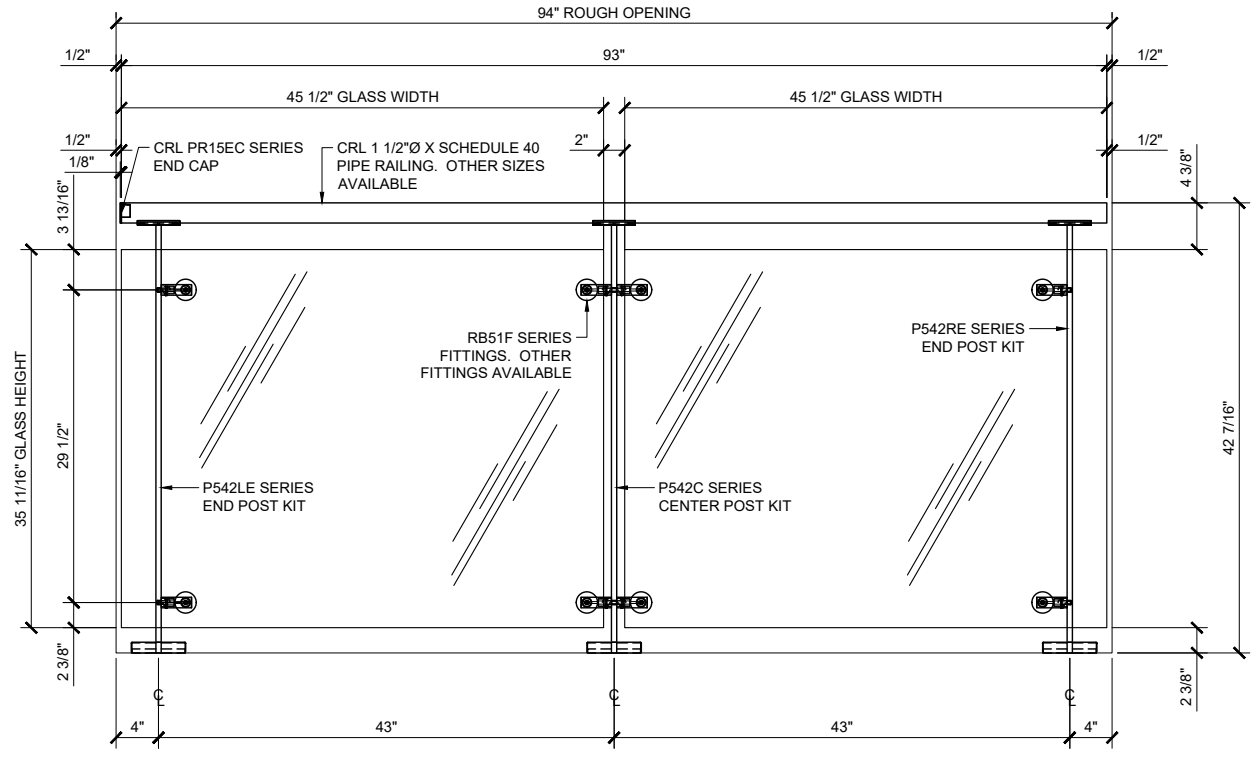
Description:  
 CRL P5 SERIES  
 POST RAILING SYSTEMS  
 SYS0071E

Drawn By: SDH  
 Date: 03/08/2017  
 Scale: AS NOTED  
 File Name:  
 SYS0071E P5 Series Stainless Steel Post Railing Systems

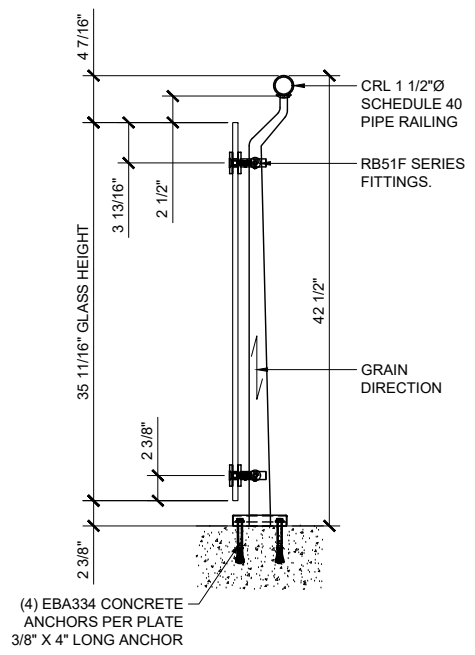
Sheet  
 1.01

# CRL P5 SERIES POST RAILING SYSTEM

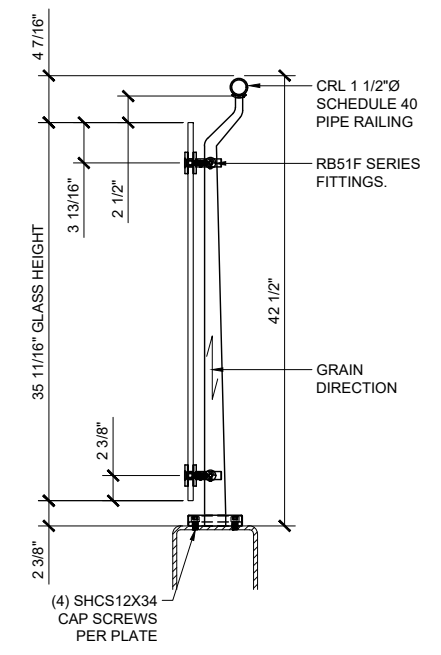
- \* DESIGNED TO ACCEPT 1/2" TO 27/32" TEMPERED GLASS
- \* TOP SADDLE SUPPORTS 1 1/4"Ø & 1 1/2"Ø SCHEDULE 40 PIPE RAILING AND 1 1/2"Ø O.D. TUBE RAILING
- \* 36" AND 42" STANDARD POST HEIGHTS WITH CUSTOM HEIGHTS AVAILABLE
- \* TWO STANDARD STAINLESS STEEL FINISHES WITH CUSTOM POWDER PAINT FINISHES ALSO AVAILABLE



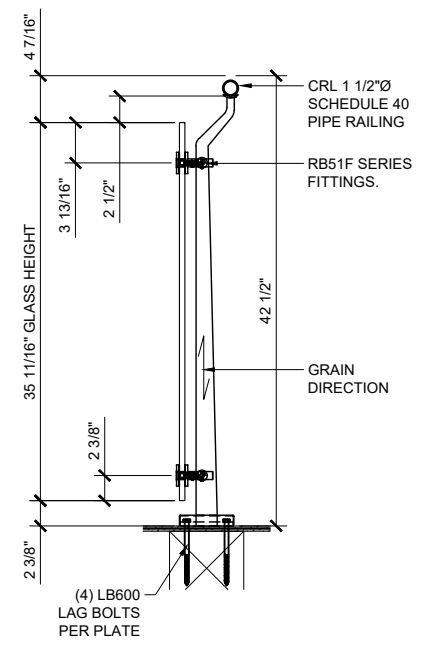
**TYPICAL ELEVATION**  
 1 1/2"=1'-0"



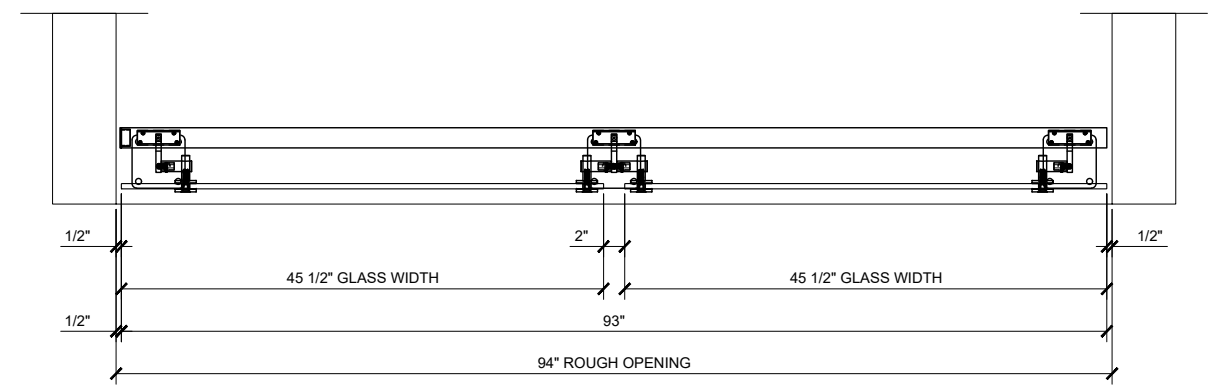
**CONCRETE MOUNT**  
 1 1/2"=1'-0"



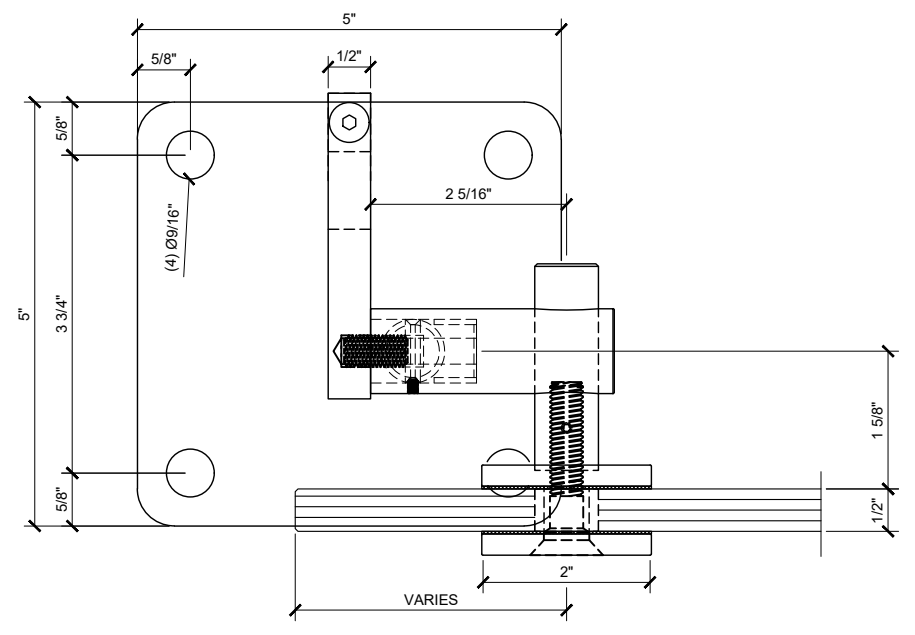
**STEEL MOUNT**  
 1 1/2"=1'-0"



**WOOD MOUNT**  
 1 1/2"=1'-0"



**TYPICAL PLAN VIEW**  
 1 1/2"=1'-0"



**RB51F FIXED FITTING W/ FLANGE**  
 SCALE: 1'-0"=1'-0"