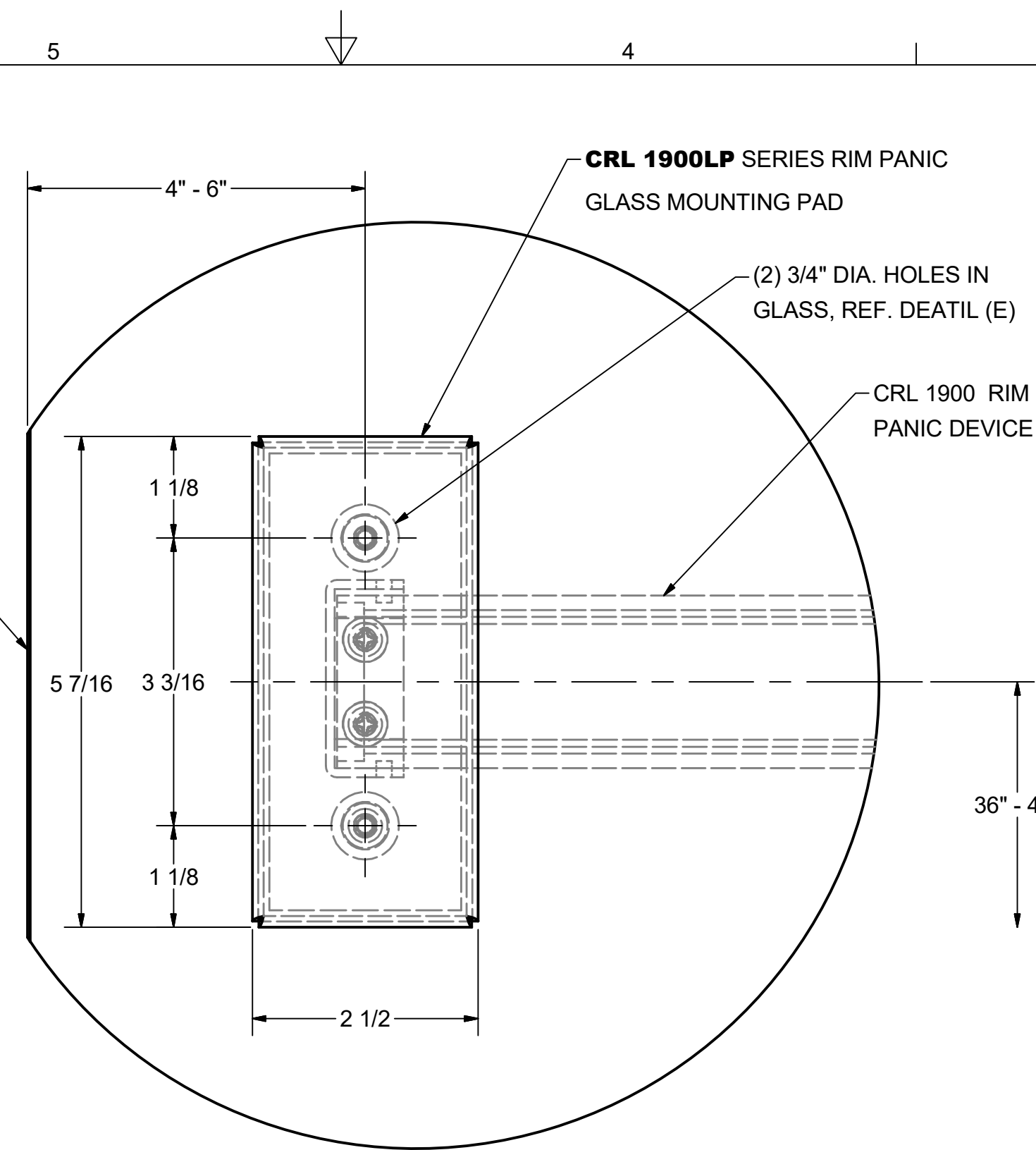
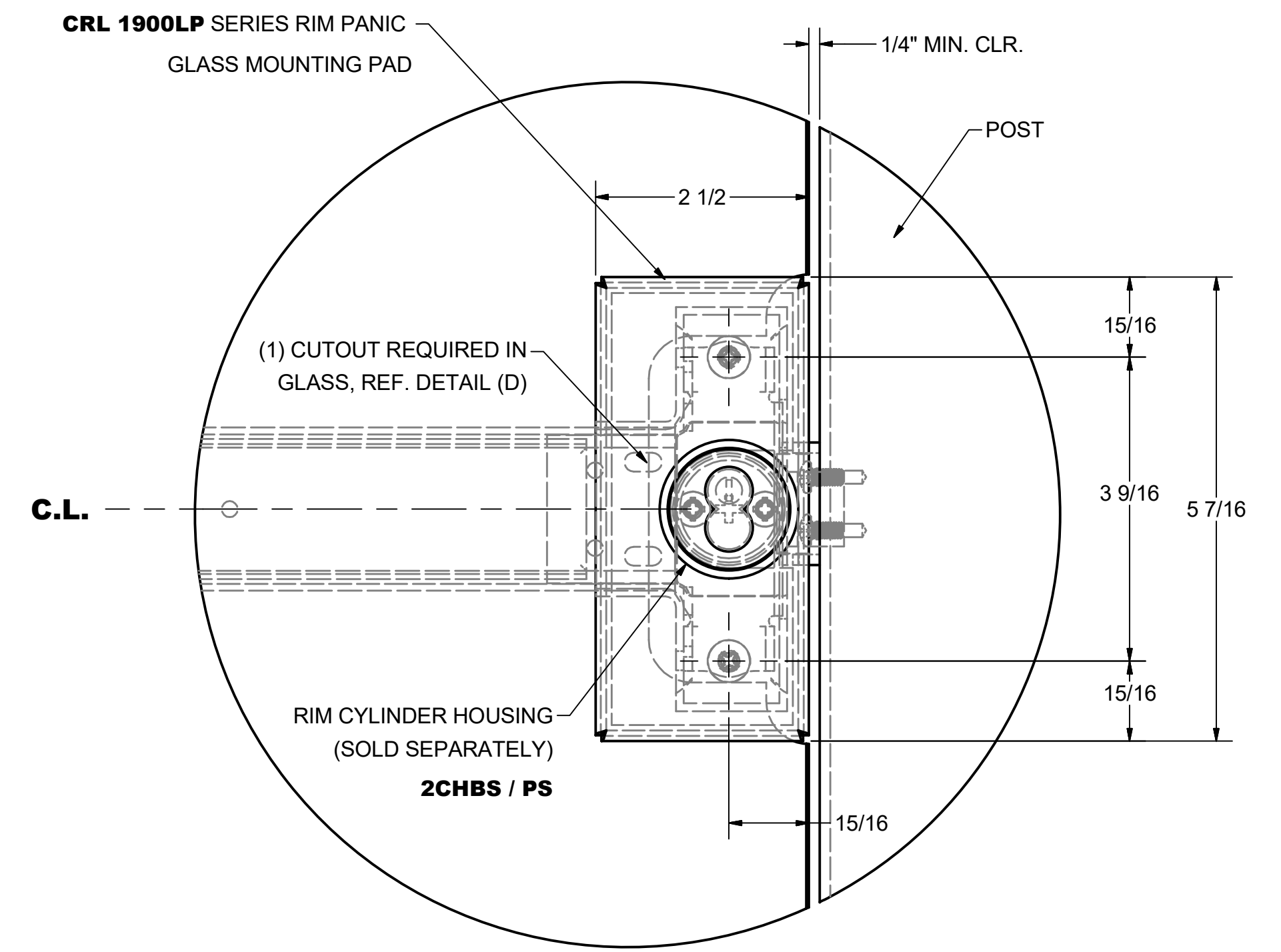


EDGE OF TEMPERED GLASS



**A**

**PATCH DETAIL**  
SCALE 1 / 1.5



**B**

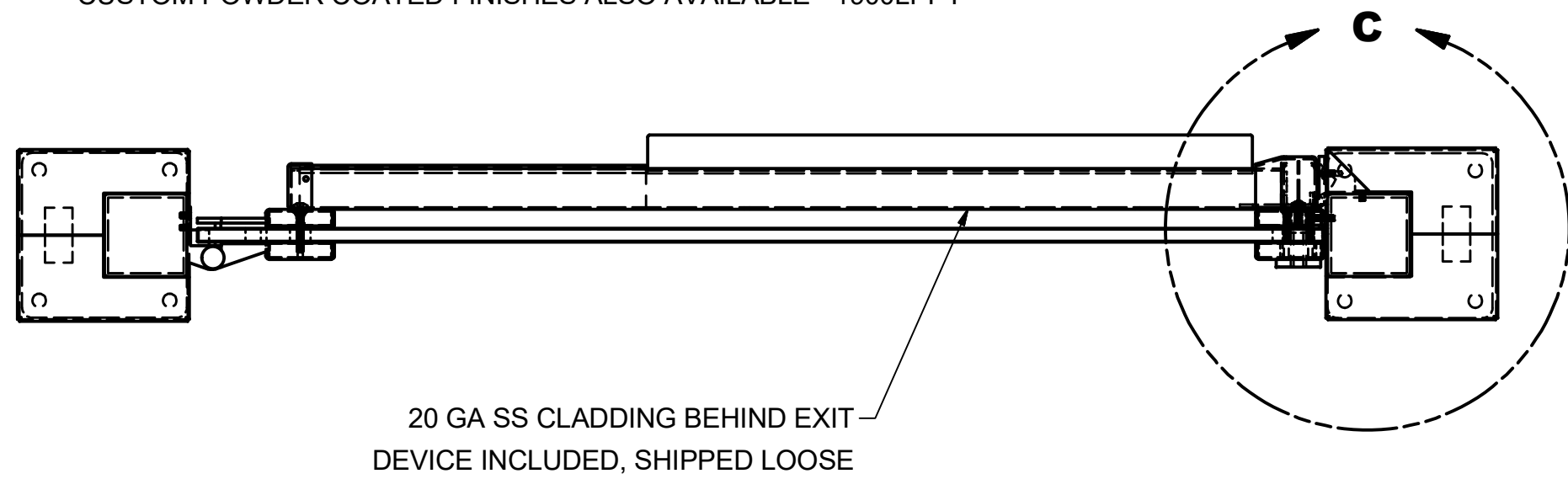
**PATCH DETAIL**  
SCALE 1 / 1.5

**CRL 1/2" GLASS MOUNTING PAD SET CAT# 1900LP**

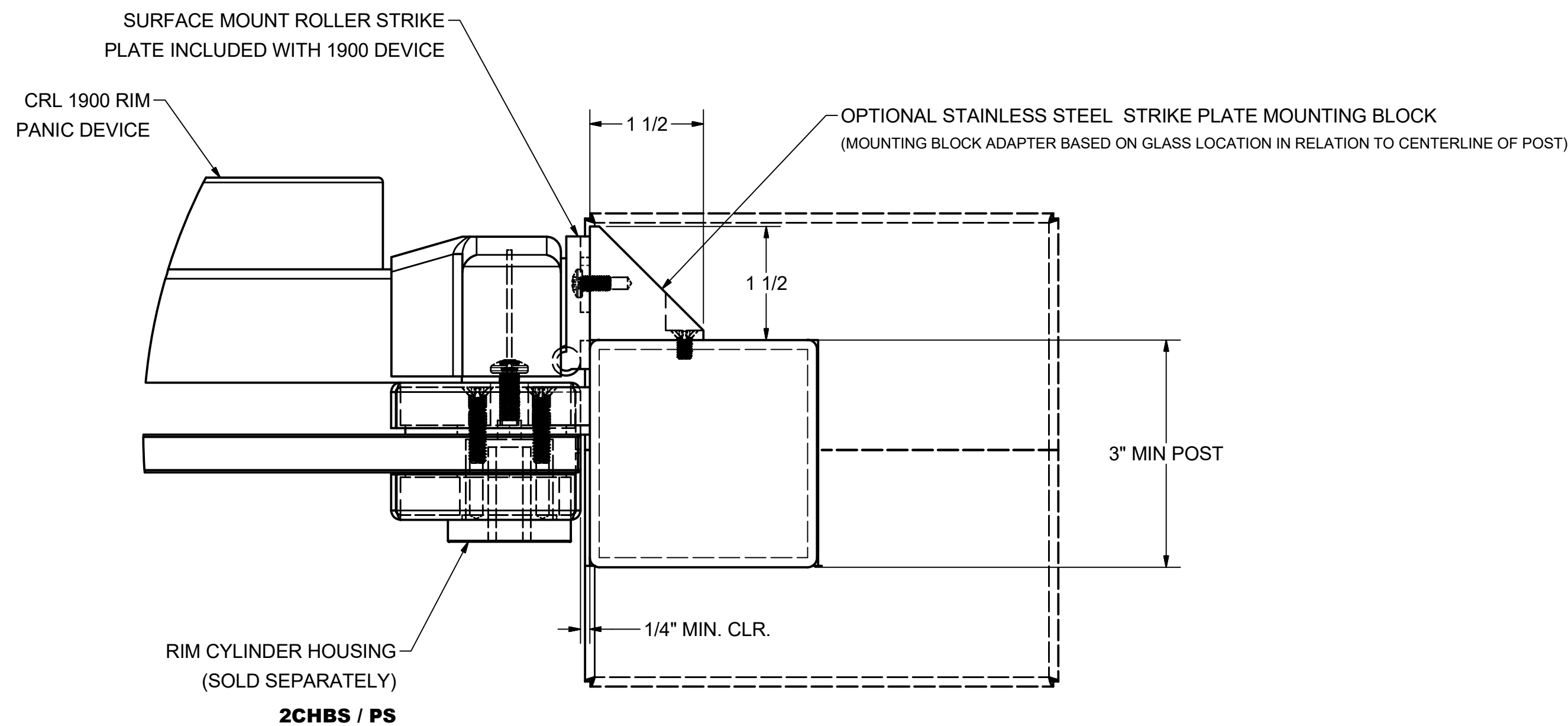
FOR USE WITH CRL 1900 SERIES RIM PANIC 2CH EXTERIOR RIM CYLINDER  
NON HANDED AND REVERSIBLE  
UL LISTED

AVAILABLE FINISHES:

- BRUSHED STAINLESS - 1900LPBS
- POLISHED STAINLESS - 1900LPPS
- CUSTOM POWDER COATED FINISHES ALSO AVAILABLE - 1900LPPT

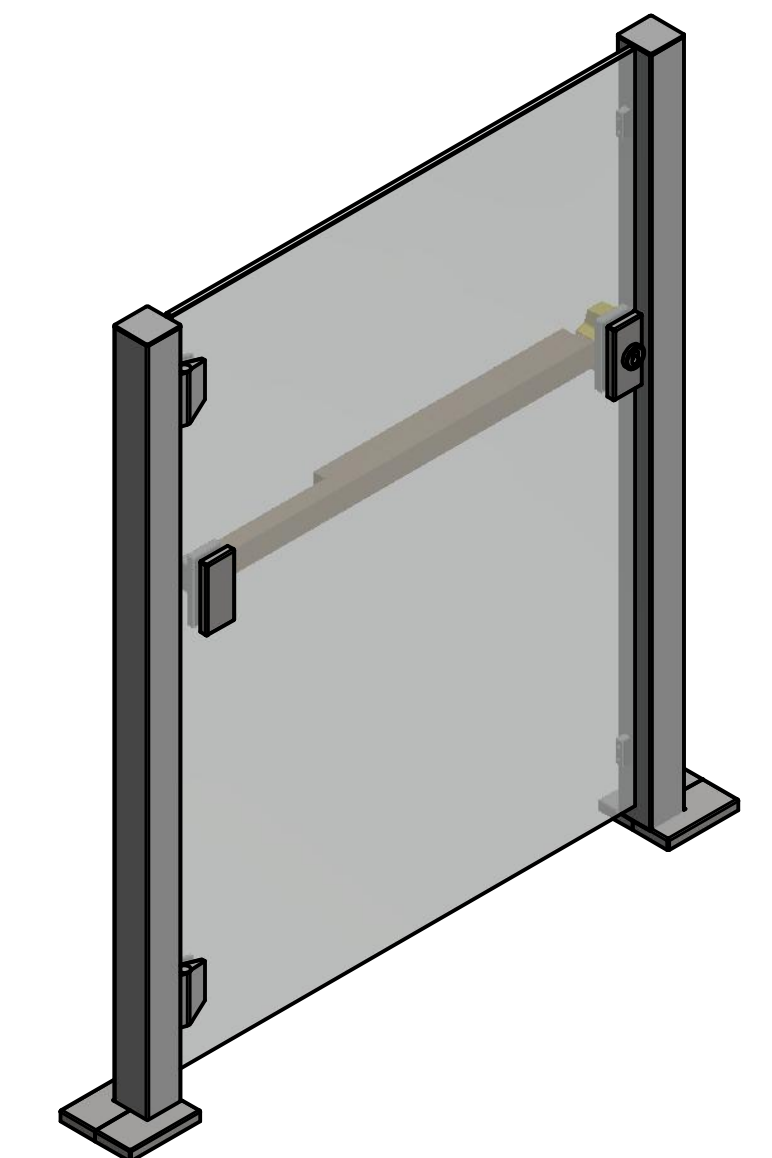


20 GA SS CLADDING BEHIND EXIT  
DEVICE INCLUDED, SHIPPED LOOSE



**C**

**PATCH DETAIL**  
SCALE 1 / 1.5



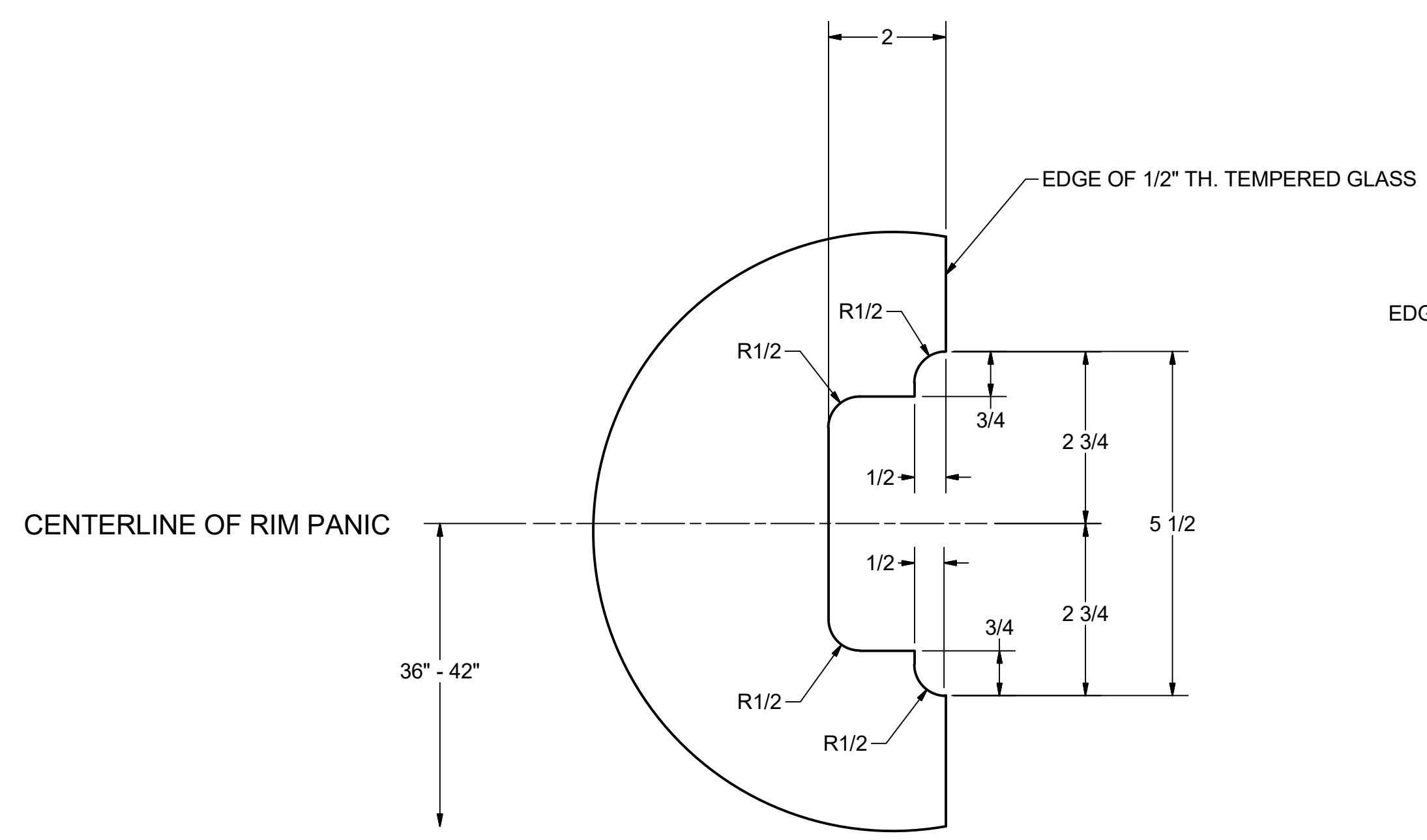
**NOTE:**  
**THE 1900 SERIES RIM PANIC AND RIM CYLINDER ARE SOLD SEPARATELY**



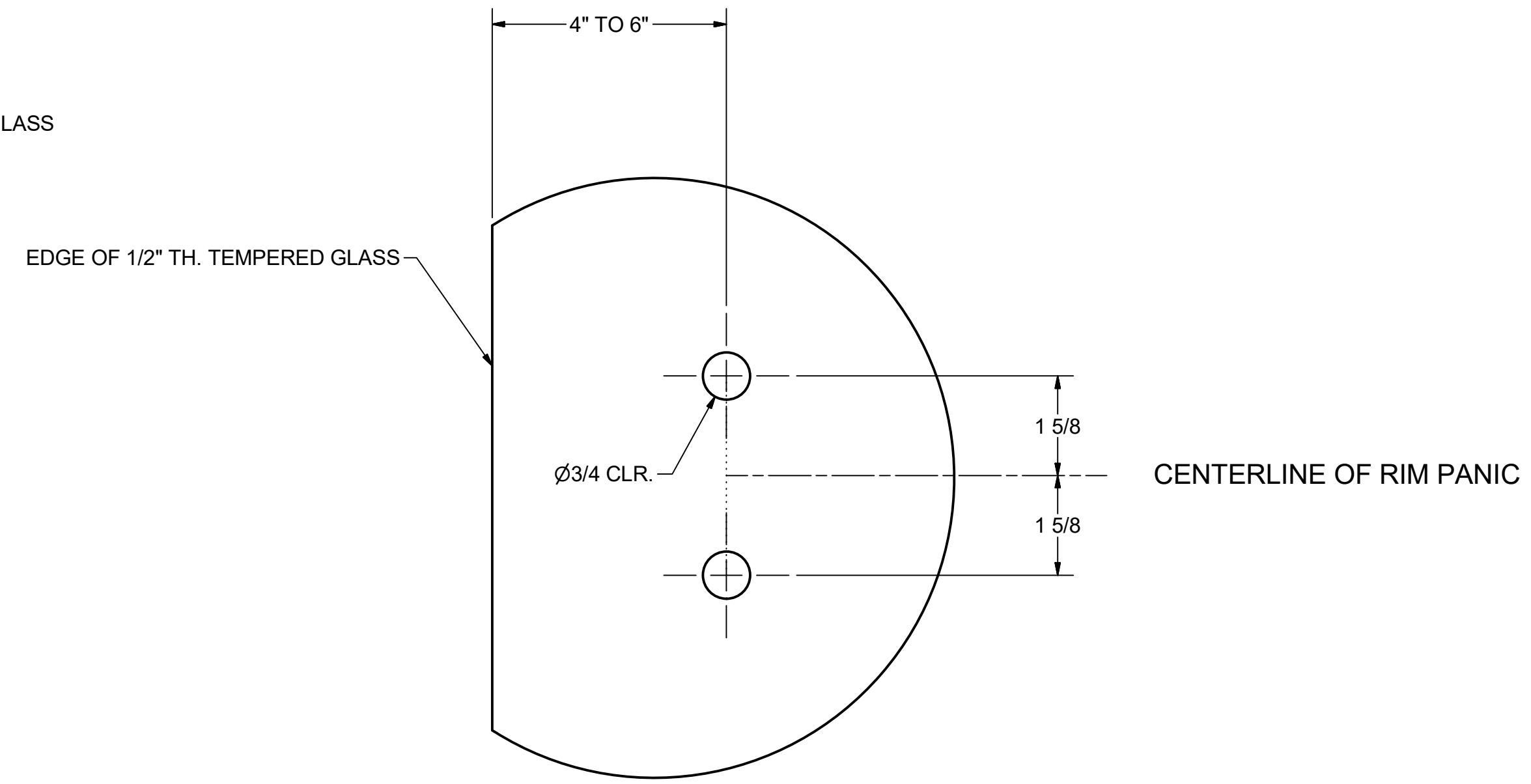
Unless Otherwise Specified  
Dimensions are in inches.  
Tolerance is:

Fraction	± 1/32
.XX	± .015
.XXX	± .010
Angles	± 1

Product	<b>CRL 1/2" GLASS MOUNTING PAD SET</b>	
CAT #	<b>1900LPBS &amp; 1900LPPS</b>	
Notes		
Drawn By	JO	The Drawings and Design Shown Therein is the Property of C.R. Laurence Co., Inc. Use and Copies Thereof Cannot be Made Without Written Consent
Date	6/23/2017	
Rev. No.		



**D**  
**GLASS FABRICATION DETAIL**  
 SCALE 1 / 2

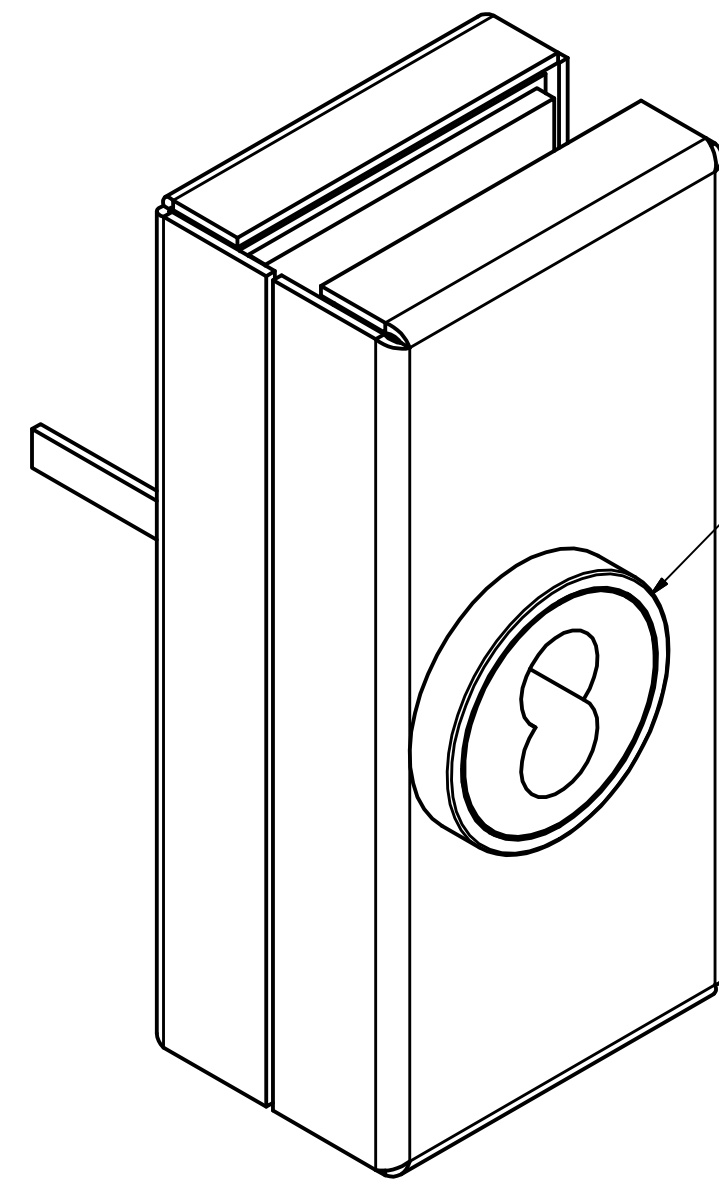


**E**  
**GLASS FABRICATION DETAIL**  
 SCALE 1 / 2

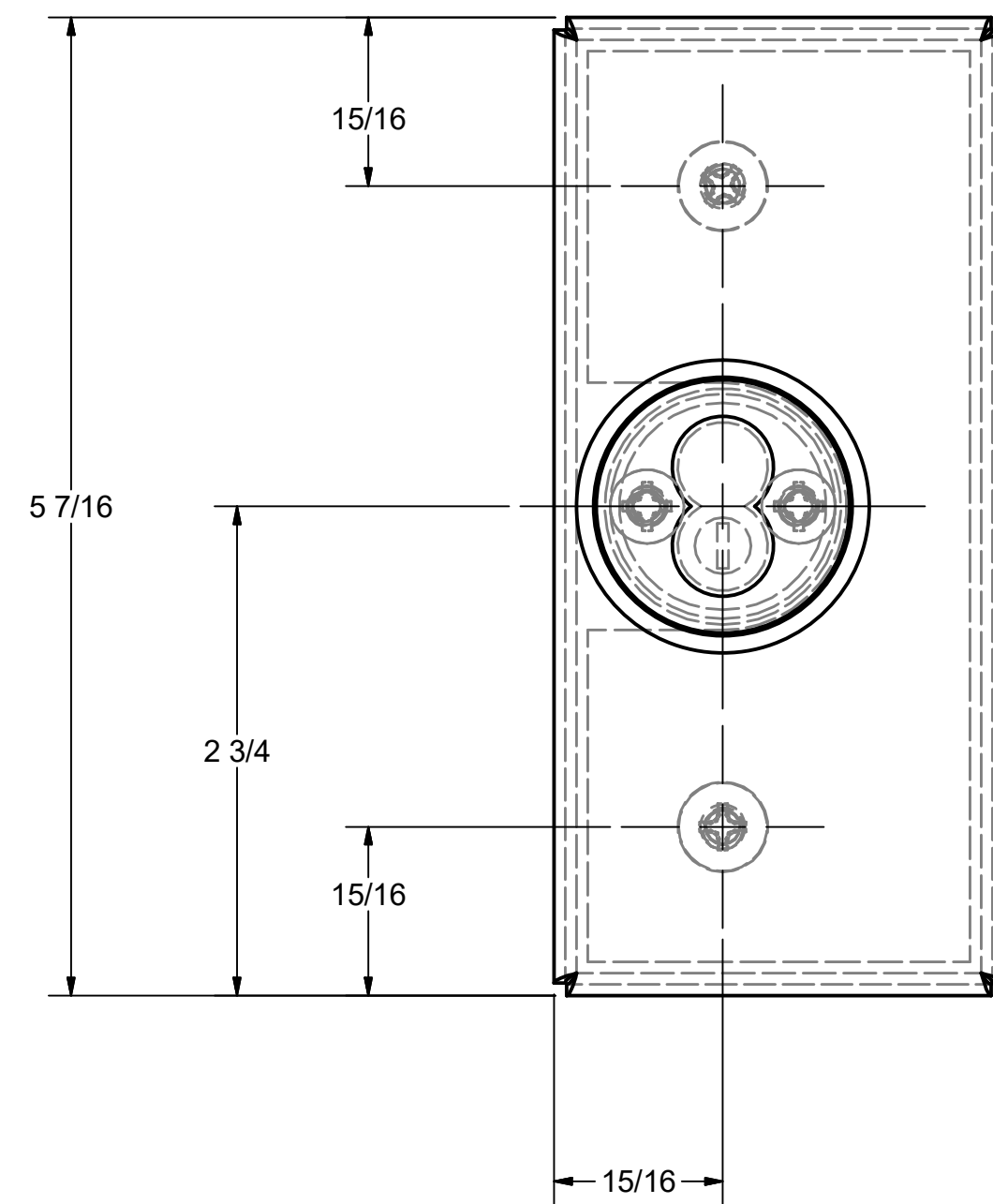
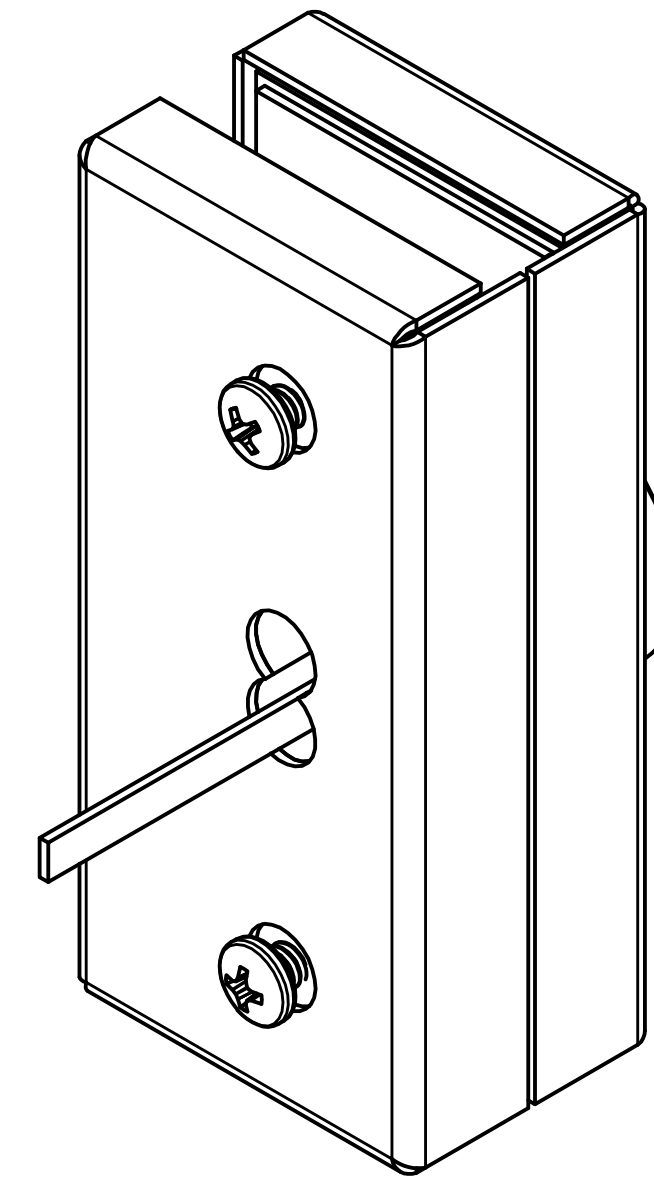
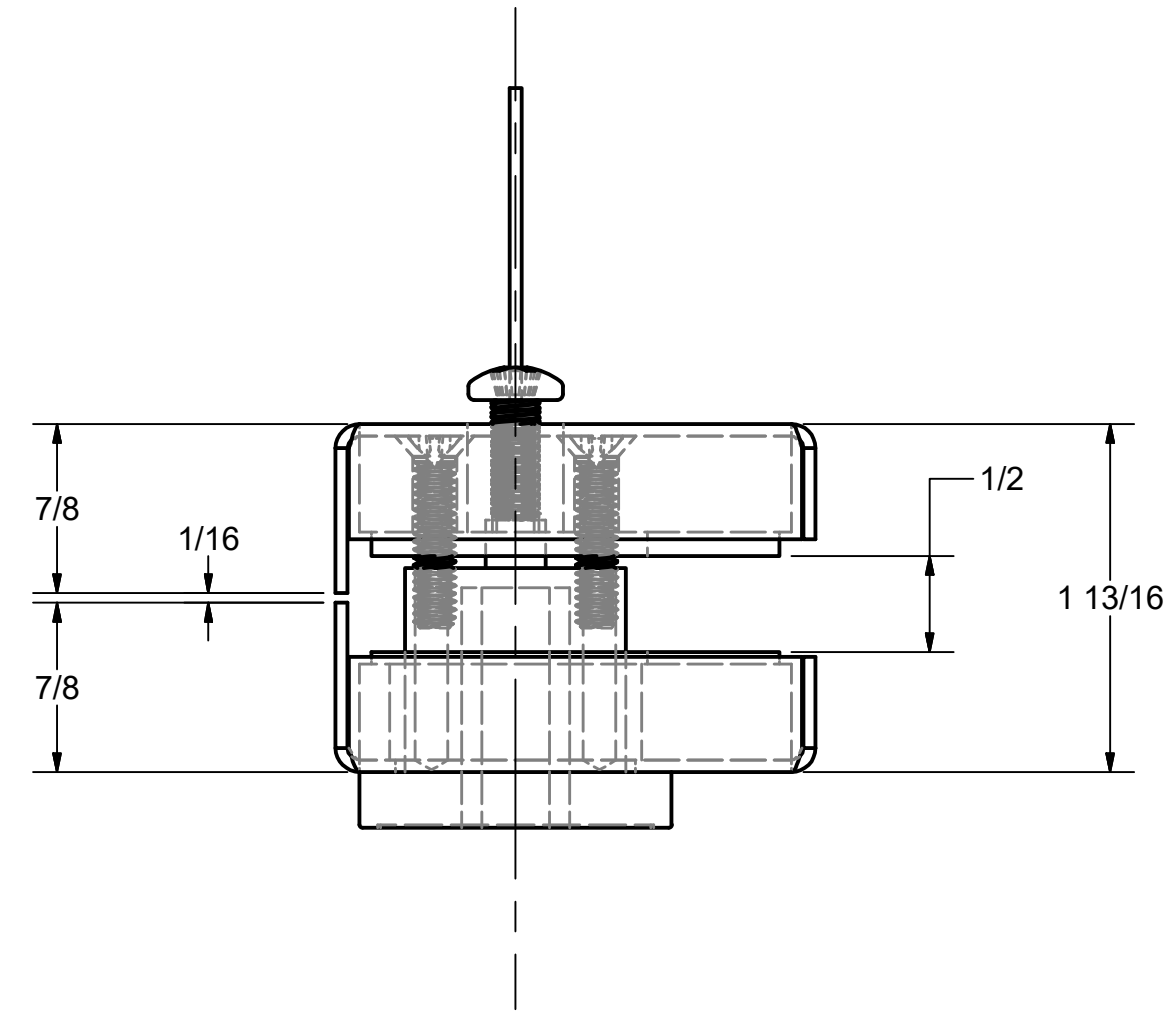


Unless Otherwise Specified  
 Dimensions are in inches.  
 Tolerance is:  
 Fraction ± 1/32  
 .XX ± .015  
 .XXX ± .010  
 Angles ± 1

Product	<b>1/2" TEMPERED MONOLITHIC GLASS CUTOUT DETAILS</b>	
CAT #	<b>1900LPBS &amp; 1900LPPS</b>	
Notes		
Drawn By	JO	The Drawings and Design Shown Therein is the Property of C.R. Laurence Co., Inc. Use and Copies Thereof Cannot be Made Without Written Consent
Date	6/23/2017	
Rev. No.		



RIM CYLINDER HOUSING  
(SOLD SEPARATELY)



**Item: 1900LPBS/PS**

Low Profile Glass Mounting Pads, Brushed SS Finish, Exterior View

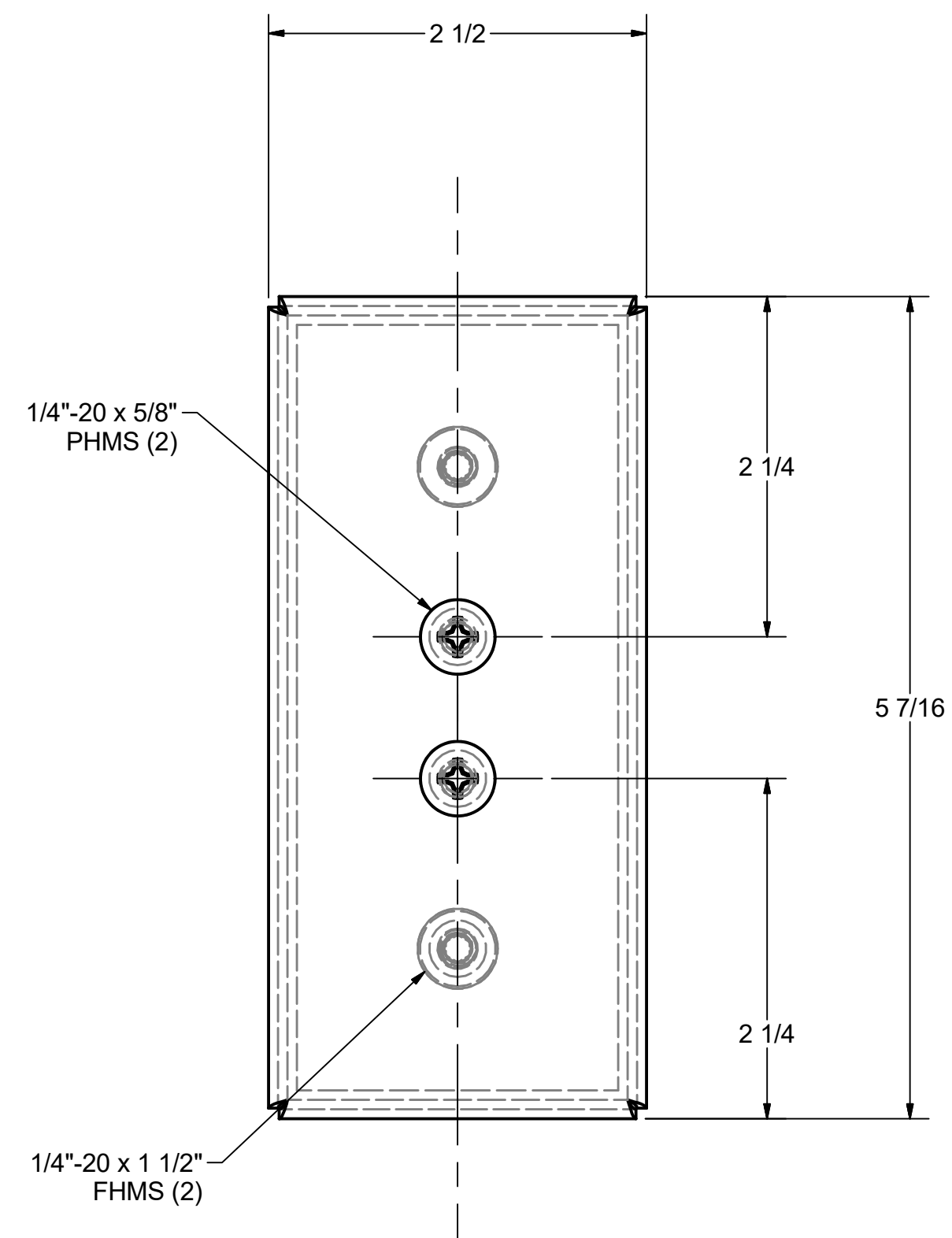
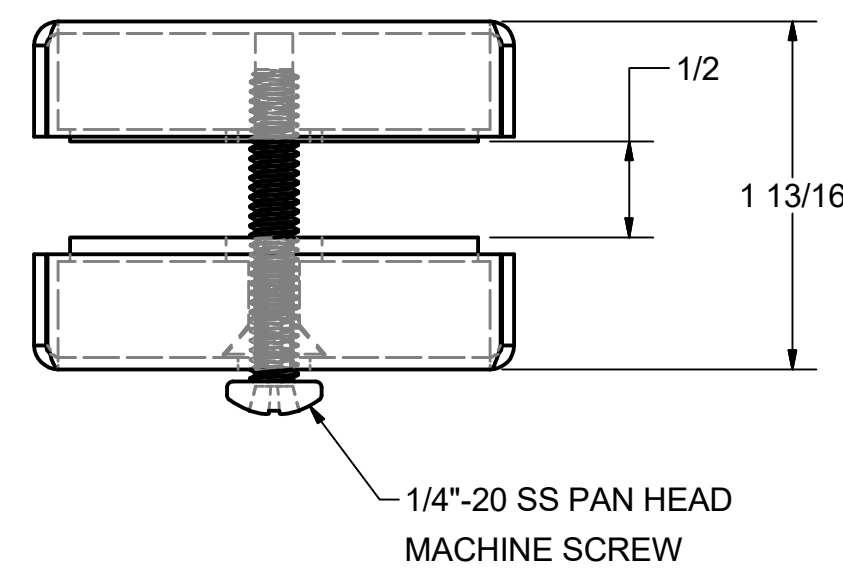
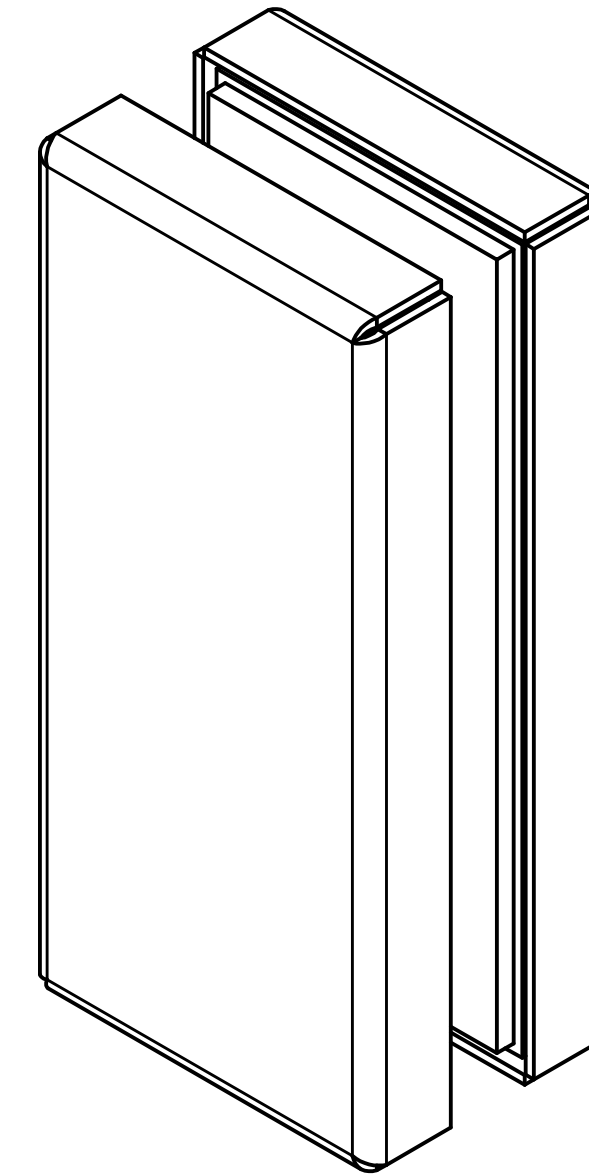
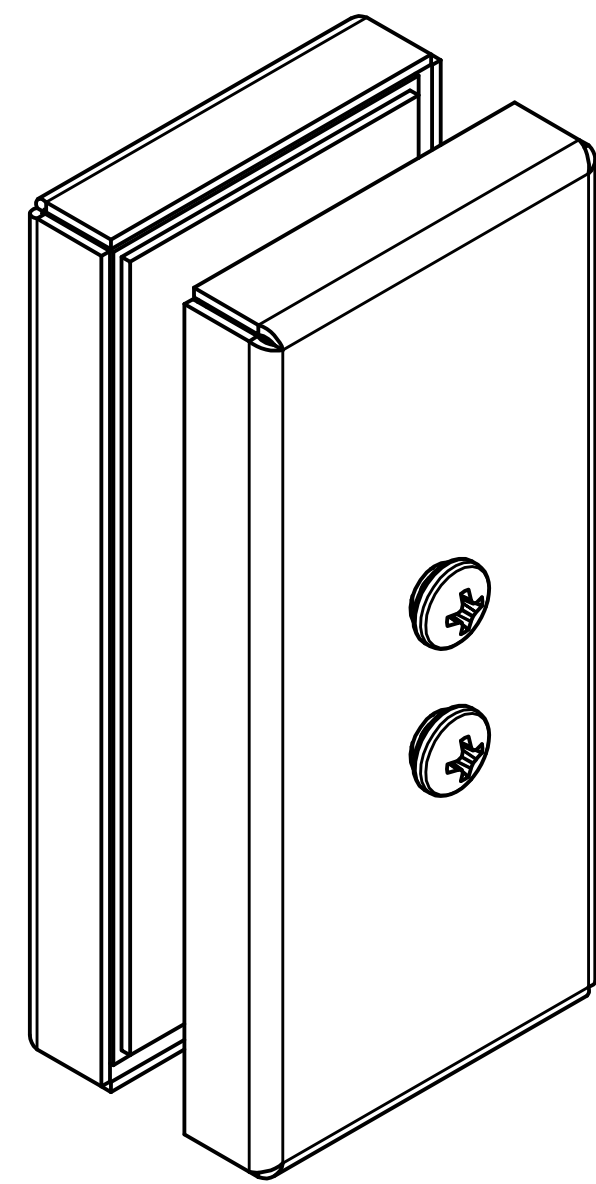


2200 East 55th Street, Vernon, California 90058  
PH (323) 588-1281 | Fax (323) 232-2523

Unless Otherwise Specified  
Dimensions are in inches.  
Tolerance is:

Fraction ± 1/32  
.XX ± .015  
.XXX ± .010  
Angles ± 1

Product	<b>CRL 1/2" GLASS MOUNTING PAD SET</b>	
CAT #	<b>1900LPBS &amp; 1900LPPS</b>	
Notes		
Drawn By	JO	The Drawings and Design Shown Therein is the Property of C.R. Laurence Co., Inc. Use and Copies Thereof Cannot be Made Without Written Consent
Date	6/23/2017	
Rev. No.		



**Item: 1900LPBS/PS**  
 Low Profile Glass Mounting Pads, Brushed SS Finish, Exterior View



2200 East 55th Street, Vernon, California 90058  
 PH (323) 588-1281 | Fax (323) 232-2523

Unless Otherwise Specified  
 Dimensions are in inches.  
 Tolerance is:

Fraction ± 1/32  
 .XX ± .015  
 .XXX ± .010  
 Angles ± 1

Product	<b>CRL 1/2" GLASS MOUNTING PAD SET</b>	
CAT #	<b>1900LPBS &amp; 1900LPPS</b>	
Notes		
Drawn By	JO	The Drawings and Design Shown Therein is the Property of C.R. Laurence Co., Inc. Use and Copies Thereof Cannot be Made Without Written Consent
Date	6/23/2017	
Rev. No.		