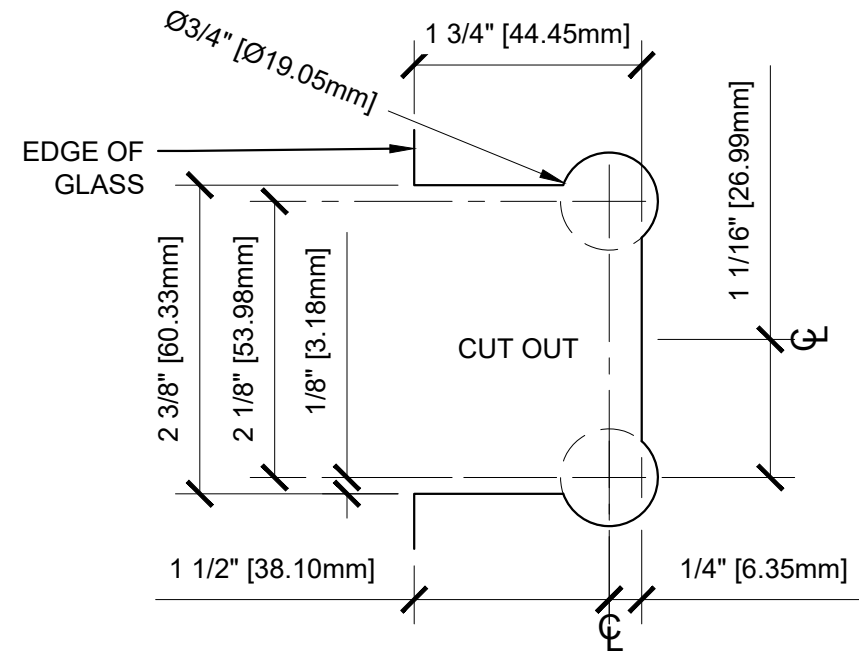
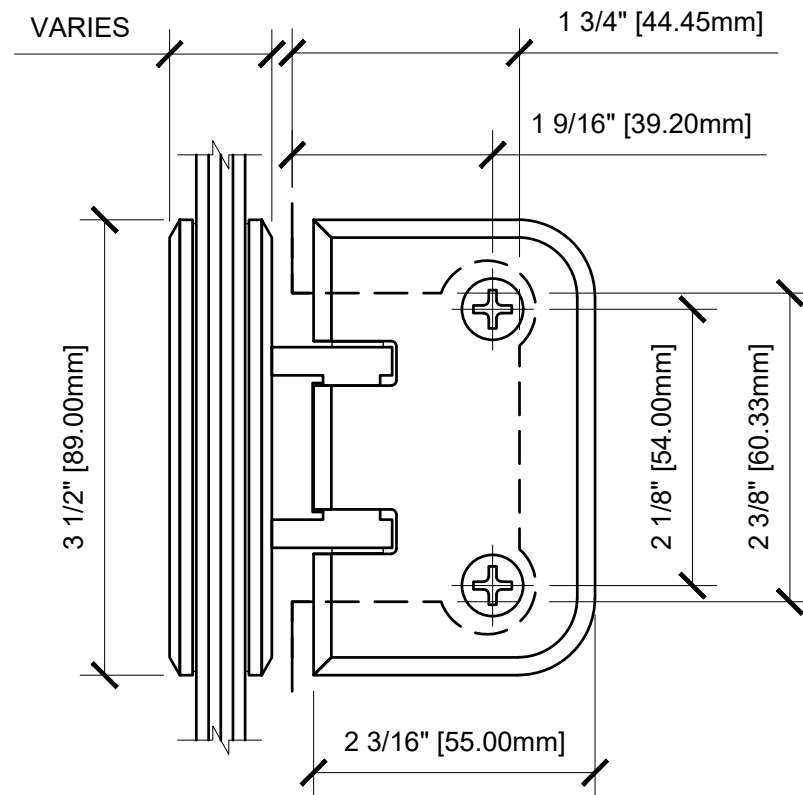
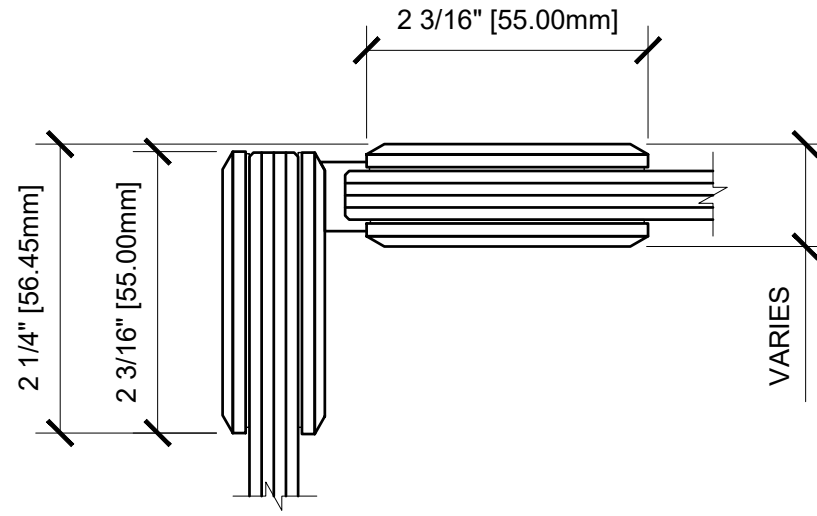


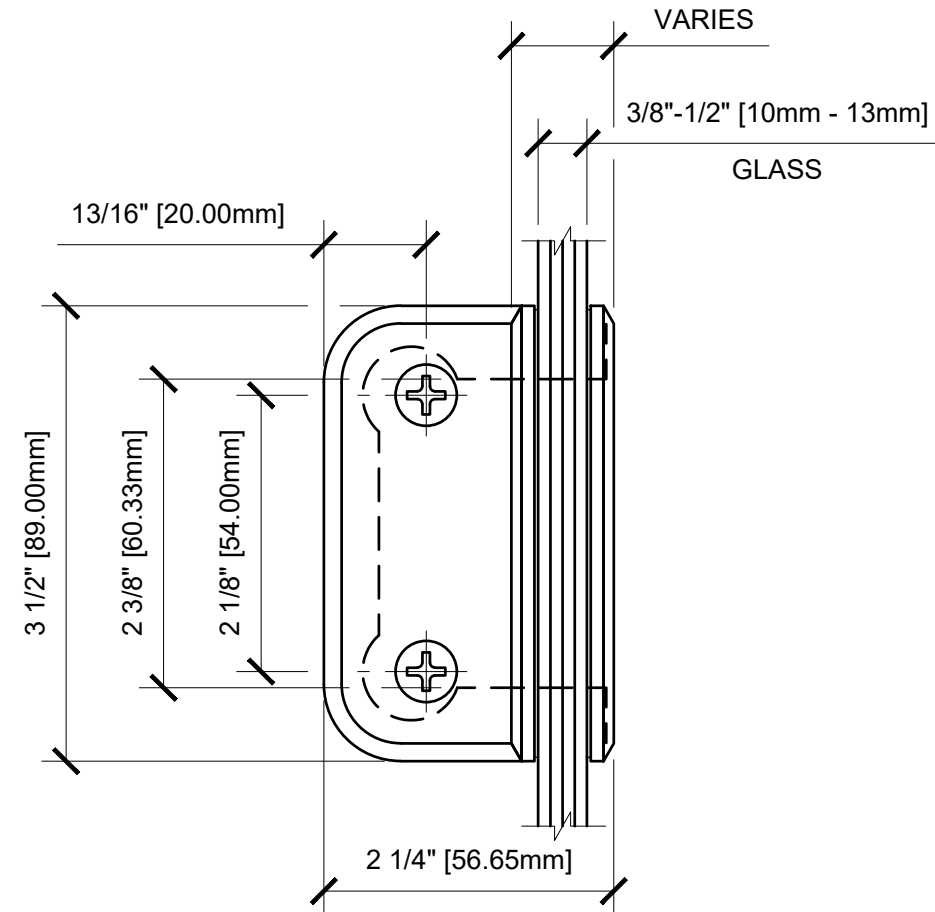
USE OF GASKETS

FOR 5/16" (18mm) GLASS: USE ONE THICK GASKET ON EACH SIDE

FOR 3/8" (10mm) GLASS: USE ONE THIN GASKET ON ONE SIDE AND A THICK GASKET ON THE OTHER SIDE



GLASS FABRICATION TEMPLATE



CATALOG NUMBER	FINISH
EST090CH	CHROME
EST090BR	POLISHED BRASS
EST090BN	BRUSHED NICKEL
EST090GP	GOLD PLATED
EST090PN	POLISHED NICKEL
EST090SC	SATIN CHROME
EST090W	WHITE

ESTA090XX - CRL ESTATE 090 SERIES 90 DEGREE GLASS TO GLASS HINGE

DATE: 1/07/19  
SCALE: 6" = 1'-0"  
DRAWN BY: BRIAN R.

DESCRIPTION: CRL EST090  
CTS  
CRL ESTATE SERIES  
90 DEGREE GLASS TO GLASS HINGE

C.R. LAURENCE CO. ARCHITECTURAL PRODUCTS  
2503 E. Vernon Avenue, Los Angeles, C.A 90058-1897  
PH (800)-421-6144 FX: 800-587-7501 www.crlaurence.com

