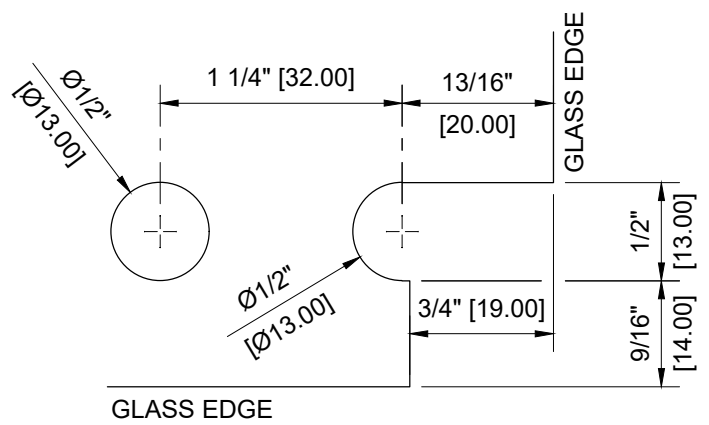
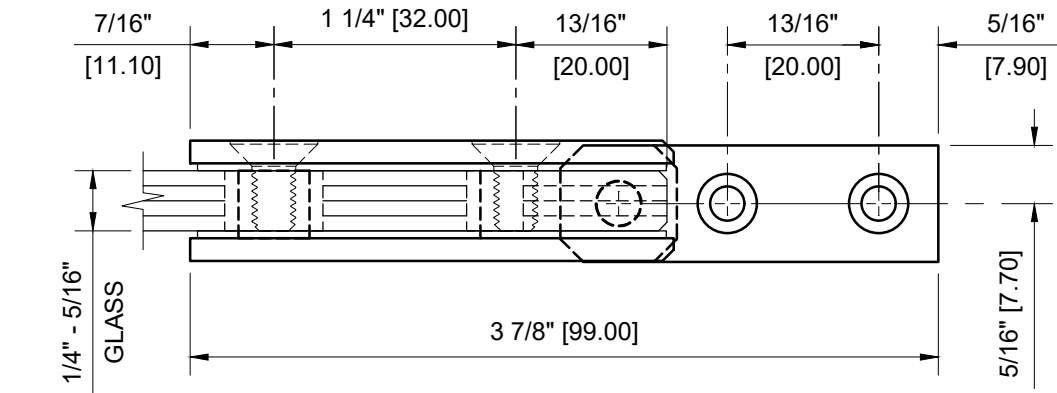
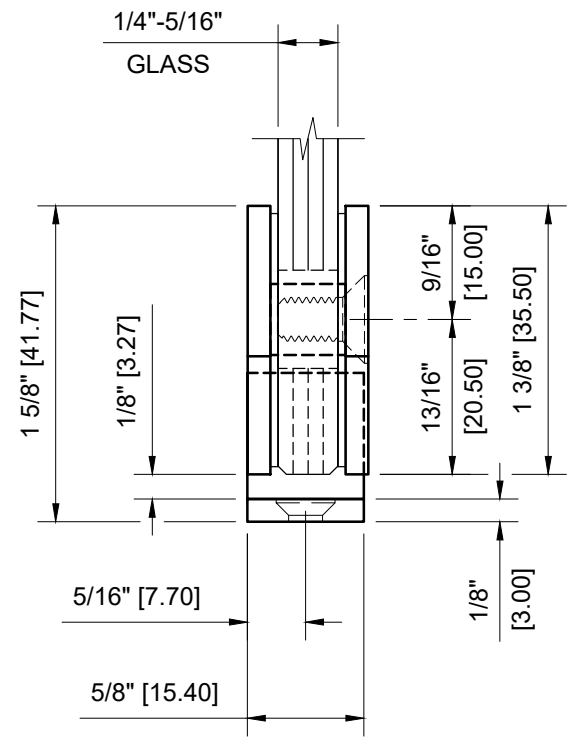
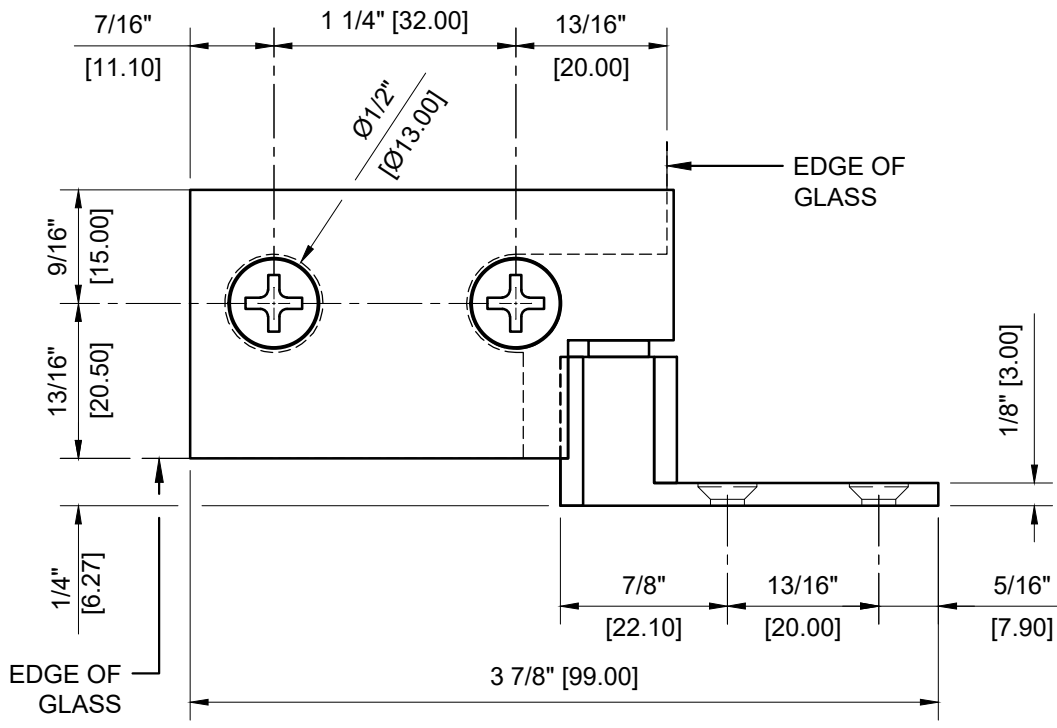


GLASS: 1/4" (6mm)
 GLASS: 5/16" (8mm)



GLASS FABRICATION TEMPLATE



CRL - FA50 SURFACE MOUNT CABINET PIVOT HINGE FOR 1/4" - 5/16" GLASS

DATE: 9-28-2020
 SCALE: 1'-0"=1'-0"
 DRAWN BY: VM

DESCRIPTION: CRL - FA50
 SURFACE MOUNT CABINET PIVOT HINGE

C.R.LAURENCE CO. ARCHITECTURAL PRODUCTS
 2503 E. Vernon Avenue, Los Angeles, CA 90058-1897
 PH (800)-421-6144 FX: 800-587-7501 www.crlaurence.com

