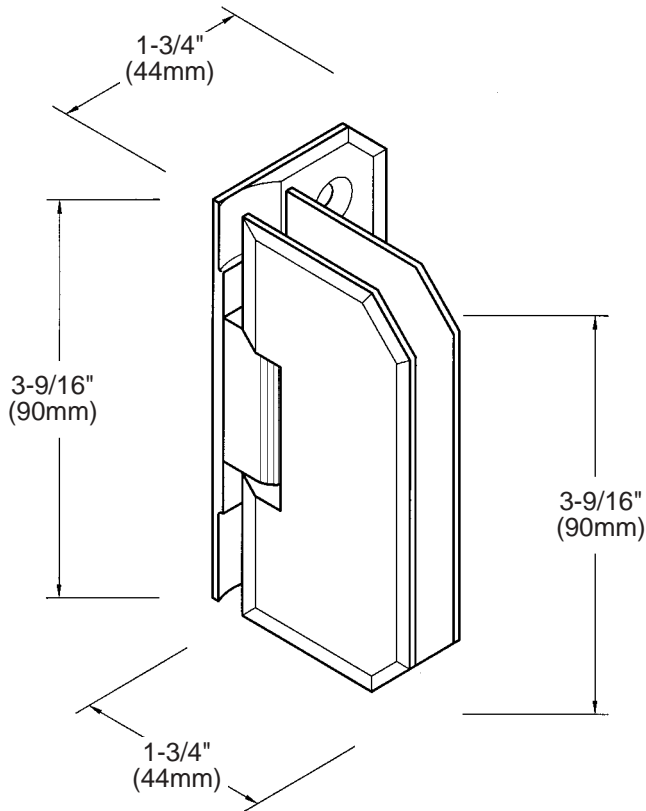




**C.R. LAURENCE CO., INC.**  
**PROFESSIONAL QUALITY**



# MONACO

Wall Mount Hinge – Flush Back Plate

CAT No. MON044

*Maximum Capacities	1/4" (6mm)		5/16" (8mm)	
	Weight	Width	Weight	Width
Using 2 Hinges	55 lbs.(25 kg)	31"(787mm)	55 lbs.(25 kg)	31"(787mm)
Using 3 Hinges	82 lbs.(31 kg)	34"(864mm)	82 lbs.(37 kg)	34"(864mm)

\*NOTE: Do not exceed either maximum weight or width when choosing proper quantity of hinges.

## Specifications:

**Glass Sizes:** 1/4" (6mm) to 5/16" (8mm) thick tempered safety glass

**Construction:** Solid brass

**Closing Type:** Self-centering when within 15° of closed position

**Cutout Required**

**Includes:** Gaskets, screws and template

## Use of Gaskets:

**For 1/4"(6mm) Glass:** Use one thick gasket on each side

**For 5/16"(8mm) Glass:** Use one thin gasket on each side

## Recommendations:

For public safety, we recommend the use of only tempered safety glass.

Do not use power tools when installing these hinges.

## Maintenance Guidelines:

- Never use an abrasive cleaner on the hardware. Many of the components are coated with a clear lacquer that will be irreparably damaged if subjected to harsh, abrasive chemicals. Advise your customer that drying the hardware with a clean, soft towel on a daily basis is the best way to maintain the hardware. If mineral deposits build-up, mix a couple of drops of a mild liquid soap (such as Ivory or a similar product) into a cup of warm water. Using a soft, non-abrasive cloth, clean the hardware. Rinse thoroughly with clean, warm water and dry.