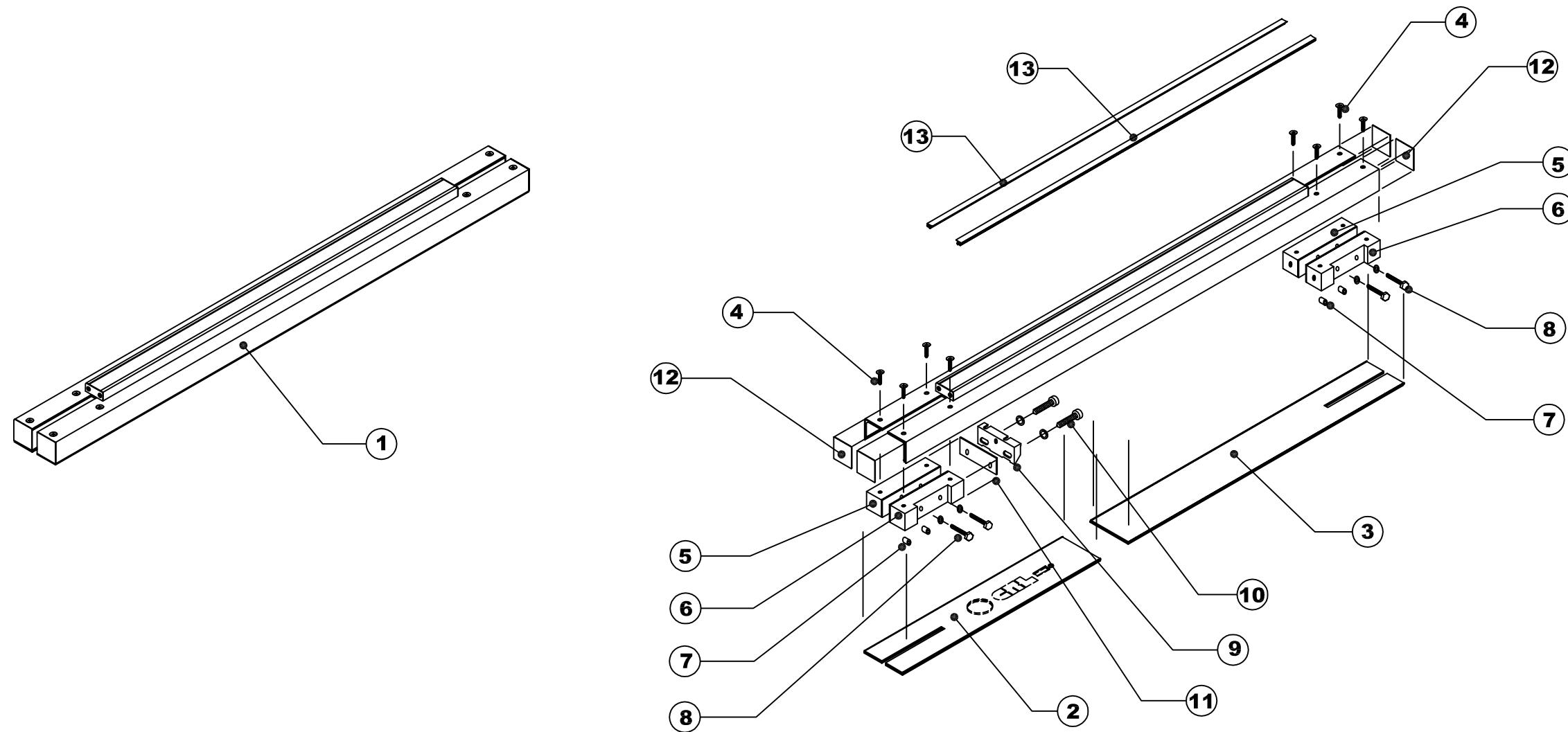


FLOATING HEADER INSTALLATION INSTRUCTIONS



**NOTE: INSTRUCTIONS SHOW SINGLE DOOR INSTALLATION.
DOUBLE DOOR INSTALLATIONS INCLUDE CLOSER AT BOTH ENDS.**

PROCEDURES:

- 1 REMOVE SNAP FIT CLOSER COVER PLATE (2)**
- 2 REMOVE SNAP FIT HEADER COVER PLATE (3)**
- 3 REMOVE TRUSS HEAD SCREWS (4) FROM TOP OF HEADER.
THIS WILL RELEASE THE 2 CLAMP BLOCK ASSEMBLIES FROM THE HEADER CHANNEL.**
- 4 REMOVE 2 SOCKET HEAD SCREWS (10) FROM END OF CLAMP BLOCKS
RELEASING THE CLOSER END PLATE (9) AND GASKET (11)**
- 5 REMOVE 4 HEX HEAD SCREWS (8) FROM RECESS IN INNER CLAMP BLOCK
AND SEPARATE CLAMP BLOCKS (5) AND (6). BE SURE TO RETAIN 4 GLASS GROMMETS (7).**

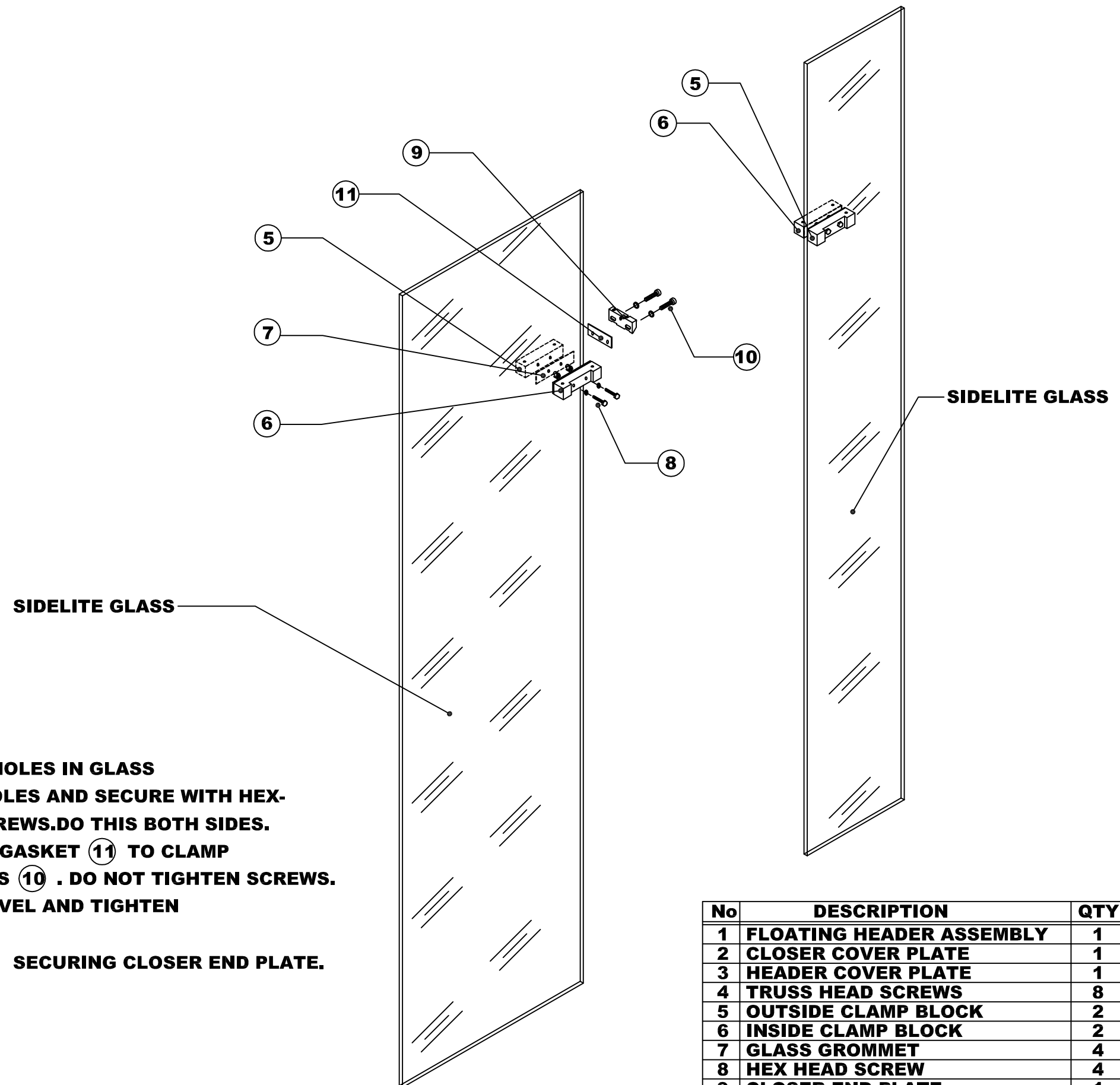


C.R. Laurence Architectural Products

Phone Orders (800) 421-6144
Fax Orders (800) 262-3299
www.crlaurence.com

No	DESCRIPTION	QTY
1	FLOATING HEADER ASSEMBLY	1
2	CLOSER COVER PLATE	1
3	HEADER COVER PLATE	1
4	TRUSS HEAD SCREWS	8
5	OUTSIDE CLAMP BLOCK	2
6	INSIDE CLAMP BLOCK	2
7	GLASS GROMMET	4
8	HEX HEAD SCREW	4
9	CLOSER END PLATE	1
10	SOCKET HEAD SCREW	2
11	FIBER GASKET	1
12	END CAP	4
13	GLAZING GASKET	2

FLOATING HEADER INSTALLATION INSTRUCTIONS



PROCEDURES:

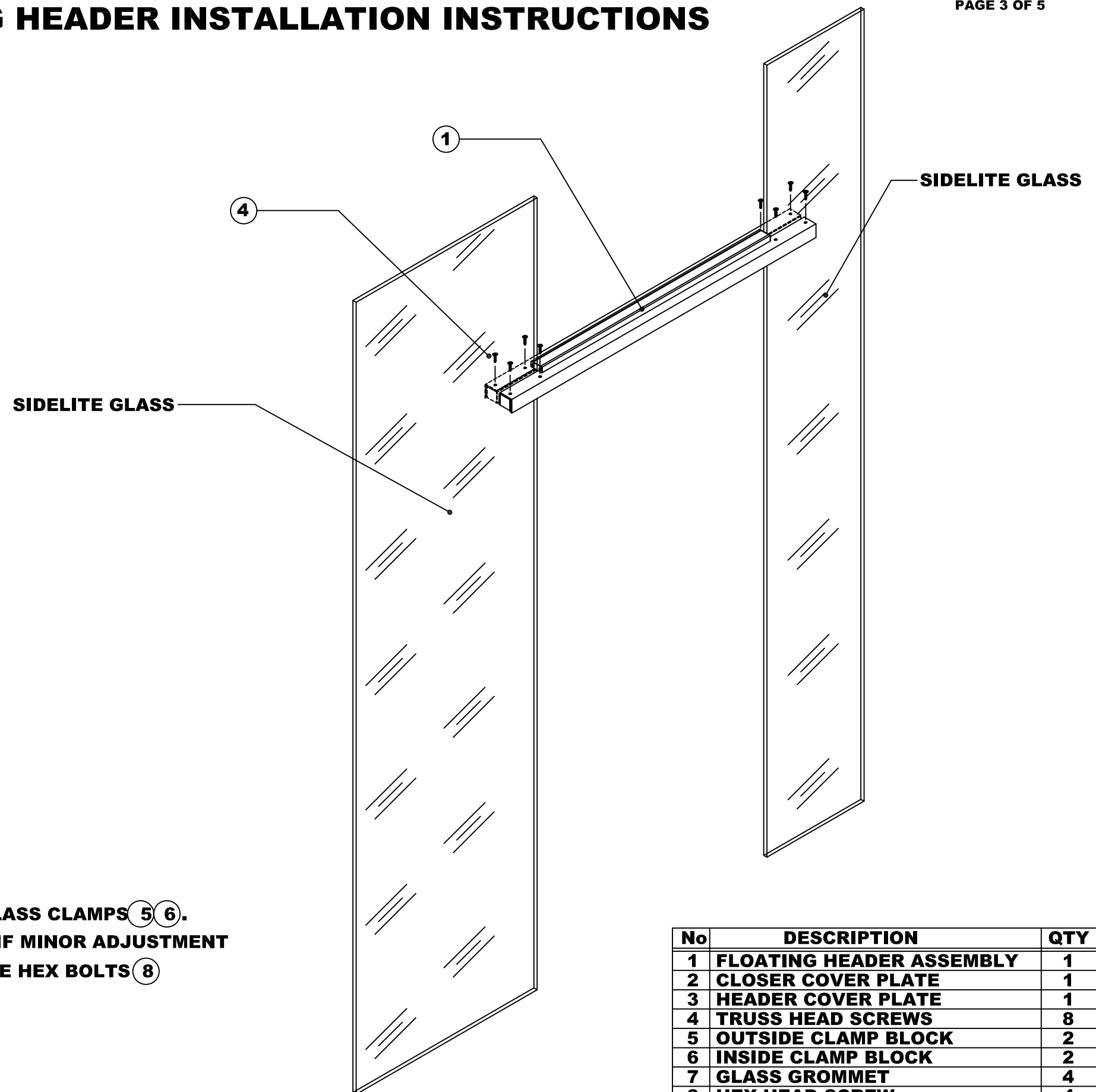
- 6 INSERT GLASS GROMMETS (7) INTO HOLES IN GLASS**
- 7 ALIGN CLAMP BLOCKS (5)(6) WITH HOLES AND SECURE WITH HEX-HEAD SCREWS. DO NOT TIGHTEN SCREWS.DO THIS BOTH SIDES.**
- 8 SECURE CLOSER END PLATE (9) AND GASKET (11) TO CLAMP BLOCKS WITH SOCKET HEAD SCREWS (10) . DO NOT TIGHTEN SCREWS.**
- 9 ALIGN CLAMP BLOCKS (5)(6) WITH LEVEL AND TIGHTEN HEX HEAD SCREWS (8).**
- 10 TIGHTEN SOCKET HEAD SCREWS (10) SECURING CLOSER END PLATE.**

ENL FLOATING HEADER SYSTEM

C.R. Laurence Architectural Products
 Phone Orders (800) 421-6144
 Fax Orders (800) 262-3299
 www.crlaurence.com

No	DESCRIPTION	QTY
1	FLOATING HEADER ASSEMBLY	1
2	CLOSER COVER PLATE	1
3	HEADER COVER PLATE	1
4	TRUSS HEAD SCREWS	8
5	OUTSIDE CLAMP BLOCK	2
6	INSIDE CLAMP BLOCK	2
7	GLASS GROMMET	4
8	HEX HEAD SCREW	4
9	CLOSER END PLATE	1
10	SOCKET HEAD SCREW	2
11	FIBER GASKET	1
12	END CAP	4
13	GLAZING GASKET	2

FLOATING HEADER INSTALLATION INSTRUCTIONS



PROCEDURES:

- 11 INSTALL FLOATING HEADER ① ONTO GLASS CLAMPS ⑤ ⑥.
- 12 SECURE WITH TRUSS HEAD SCREWS ④. IF MINOR ADJUSTMENT OF CLAMPS IS REQUIRED, ACCESS TO THE HEX BOLTS ⑧ IS AVAILABLE FROM BELOW.

No	DESCRIPTION	QTY
1	FLOATING HEADER ASSEMBLY	1
2	CLOSER COVER PLATE	1
3	HEADER COVER PLATE	1
4	TRUSS HEAD SCREWS	8
5	OUTSIDE CLAMP BLOCK	2
6	INSIDE CLAMP BLOCK	2
7	GLASS GROMMET	4
8	HEX HEAD SCREW	4
9	CLOSER END PLATE	1
10	SOCKET HEAD SCREW	2
11	FIBER GASKET	1
12	END CAP	4
13	GLAZING GASKET	2

GNL FLOATING HEADER SYSTEM

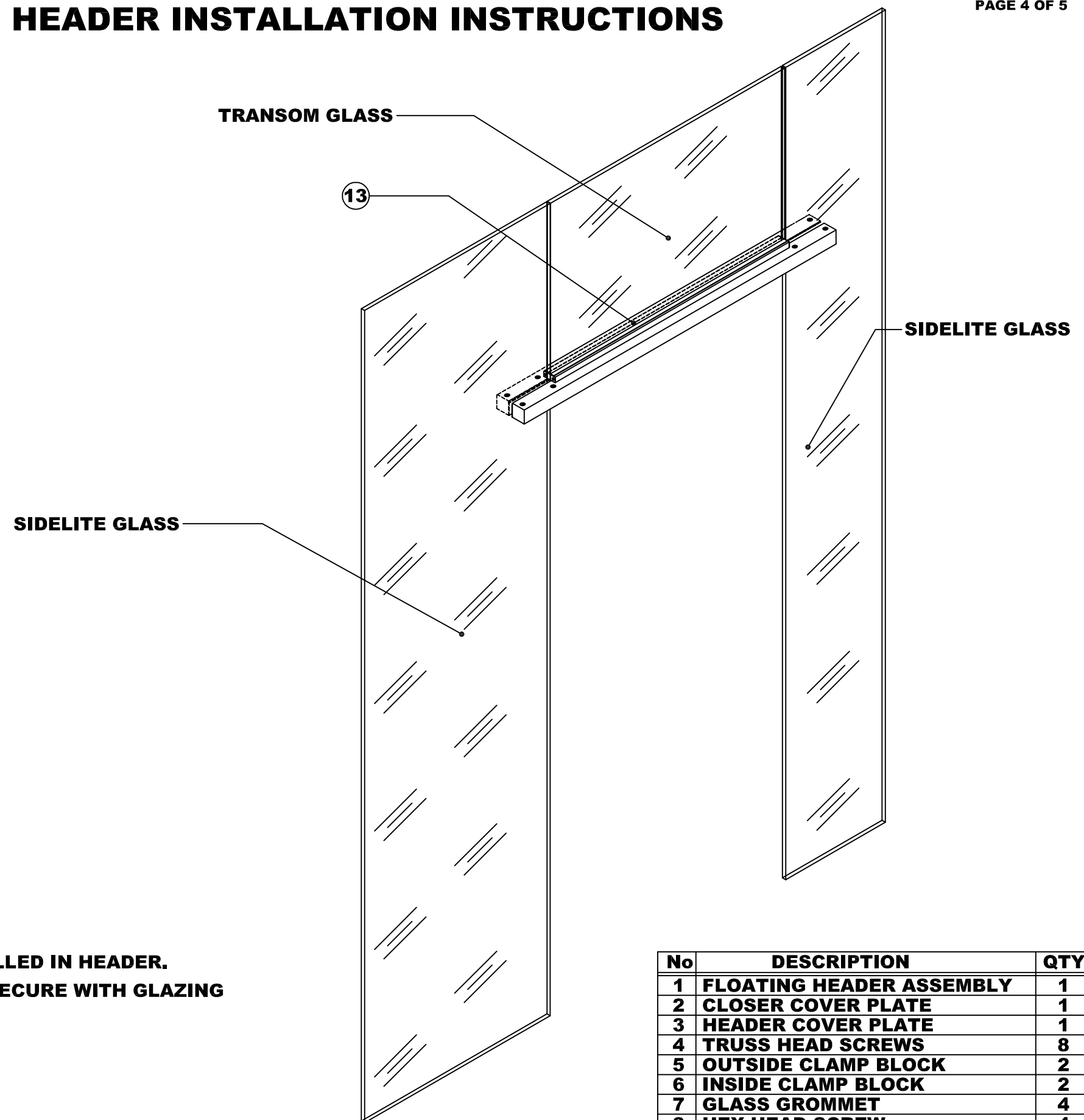
C.R. Laurence Architectural Products

Phone Orders (800) 421-6144

Fax Orders (800) 262-3299

www.crlaurence.com

FLOATING HEADER INSTALLATION INSTRUCTIONS



PROCEDURES:

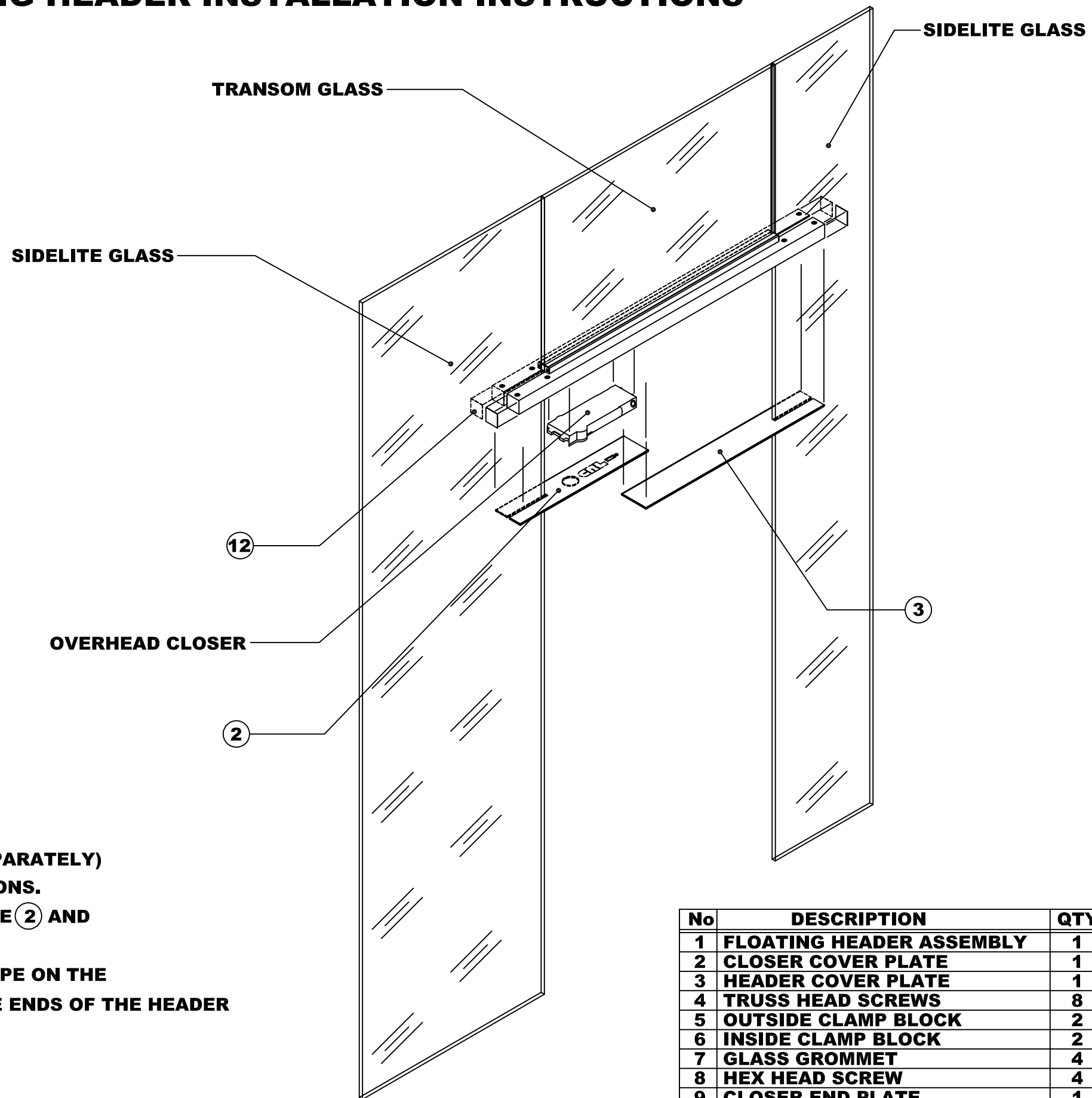
- 13 CHECK THAT SETTING BLOCKS ARE INSTALLED IN HEADER.**
- 14 INSTALL TRANSOM GLASS INTO HEADER. SECURE WITH GLAZING GASKET 13 INSIDE AND OUT.**

No	DESCRIPTION	QTY
1	FLOATING HEADER ASSEMBLY	1
2	CLOSER COVER PLATE	1
3	HEADER COVER PLATE	1
4	TRUSS HEAD SCREWS	8
5	OUTSIDE CLAMP BLOCK	2
6	INSIDE CLAMP BLOCK	2
7	GLASS GROMMET	4
8	HEX HEAD SCREW	4
9	CLOSER END PLATE	1
10	SOCKET HEAD SCREW	2
11	FIBER GASKET	1
12	END CAP	4
13	GLAZING GASKET	2

GNL FLOATING HEADER SYSTEM

C.R. Laurence Architectural Products
 Phone Orders (800) 421-6144
 Fax Orders (800) 262-3299
 www.crlaurence.com

FLOATING HEADER INSTALLATION INSTRUCTIONS



PROCEDURES:

- 15 INSTALL OVERHEAD CLOSER. (SOLD SEPARATELY) SEE CLOSER INSTALLATION INSTRUCTIONS.**
- 16 INSTALL SNAP FIT CLOSER COVER PLATE (2) AND HEADER COVER PLATE (3).**
- 17 REMOVE BACKING PAPER FROM UHB TAPE ON THE 4 END CAPS (12) AND AFIX THEM TO THE ENDS OF THE HEADER**

No	DESCRIPTION	QTY
1	FLOATING HEADER ASSEMBLY	1
2	CLOSER COVER PLATE	1
3	HEADER COVER PLATE	1
4	TRUSS HEAD SCREWS	8
5	OUTSIDE CLAMP BLOCK	2
6	INSIDE CLAMP BLOCK	2
7	GLASS GROMMET	4
8	HEX HEAD SCREW	4
9	CLOSER END PLATE	1
10	SOCKET HEAD SCREW	2
11	FIBER GASKET	1
12	END CAP	4
13	GLAZING GASKET	2

GNL FLOATING HEADER SYSTEM

C.R. Laurence Architectural Products

Phone Orders (800) 421-6144

Fax Orders (800) 262-3299

www.crlaurence.com