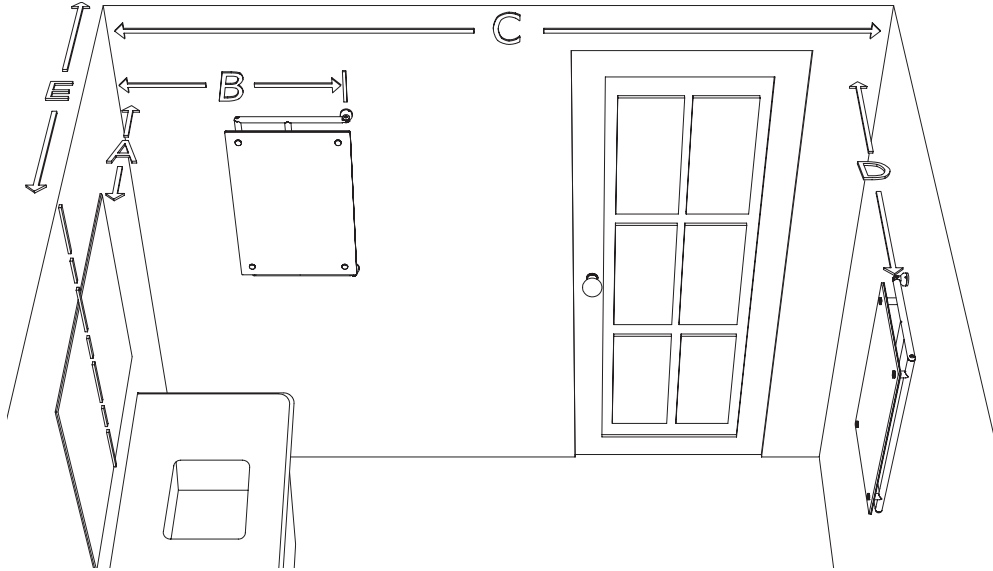


C.R. LAURENCE CO., INC.

Installation Instructions For Frameless Pivot Mirror

To begin the installation of your new CRL Frameless Pivot Mirror, select the best location either in the bath or vanity. The mirror may be mounted on a right, left or rear wall.



- It is recommended that the unit be mounted on a left or right side wall that is within 15" (381 mm) (Dimension A) from the edge of the mirror over the sink, or on a back wall that is less than 72" (1819 mm) away.
- When Dimension "A" distance is 15" (381 mm) or less, the mirror should be placed in position "B". Distance "B" should not be less than 22" (559 mm). 24" to 26" (610 to 660 mm) has been found to be the best distance for most installations, but a greater distance can be used.
- When the distance to the back wall "C" is not greater than 72" (1819 mm), and if "A" is greater than 15" (381 mm), mount the unit in position "D" on the rear wall. Be certain that Dimensions "D" and "E" are equal, or as close as possible. "E" is the dimension from the sidewall to the centerline of the mirror over the sink.

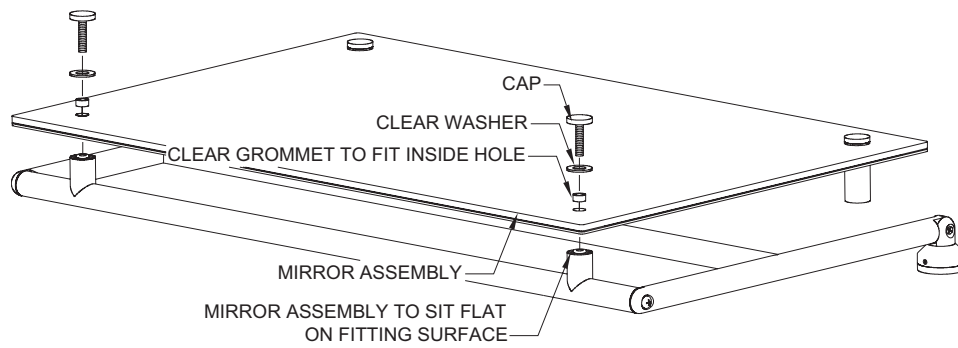
Tools Needed For Installation:

- Phillips Screwdriver
- 24" Bubble Level
- (2) #10x2-1/2" Wood Screws (provided by CRL)
- Loctite Thread Locker (provided by CRL)
- Wood Screws (provided by CRL)
- Allen Wrench (provided by CRL)

Now that you have selected the best location of your CRL Frameless Pivot Mirror you may begin installation.

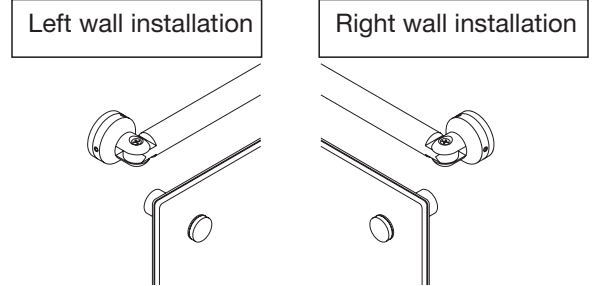
1. Start by attaching the mirror to the frame.

Make sure you are working on a flat surface. Remove the cap, washer and grommets from the frame. Place the mirror assembly on the frame fittings as shown, making sure that the back plate sits on the flat surface of the fittings for proper alignment.



Place the clear grommet inside the hole and the clear washer over the hole. Add a couple drops of the provided Loctite Thread Locker to the last 1/3 of the threads of each Cap, and then screw the Caps into the frame.

If the mirror is to be placed on a left wall, no modification to the hinges will be required. To mount on a right wall, simply remove the flat head screw and reverse the hinges. Both top and bottom fittings should match. Be certain to add a couple drops of the Loctite Thread Locker to the last 1/3 of the threads of each screw.

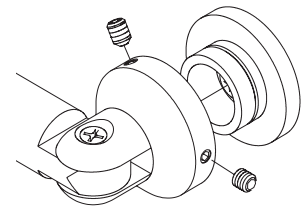


2. Now you are ready to mount the Wall Brackets.

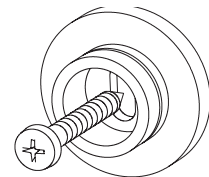
Once the location to mount the mirror is determined, use the Bubble Level and draw a light vertical pencil line on the wall. Make two marks 24-3/4" (629 mm) apart on the vertical line for the 15" x 23" Mirror, and 16-3/4" (425 mm) apart for the 15" x 15" Mirror at the desired height.

3. Punch a hole through the drywall at each of the marked locations using a #10 nail. Make certain you have hit a stud or that you are mounting the mirror into wood backing. Use the supplied #10x2-1/2" Wood Screws to mount the brackets.

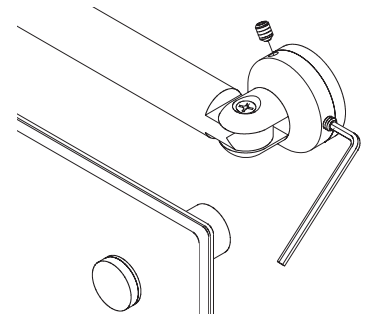
4. Disassemble the Mounting Bracket by removing the three set screws.



5. Place the Bracket at the center of the hole, with the slot in a vertical position. Drive the screw into the wall through the slot. Perform this operation on both top and bottom fittings.



6. Slide the frame over the mounted Bracket. Tightly secure the top fitting set screws first with the Allen Wrench provided. Do not let go of the frame until the top screws are in place. Repeat the operation for the bottom fitting.



You have successfully installed your new CRL Frameless Pivot Mirror.