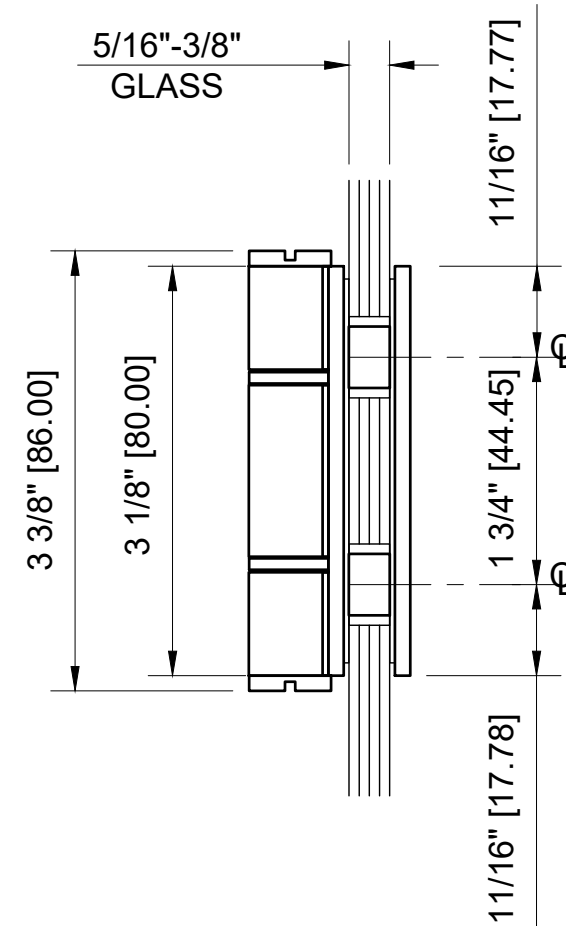
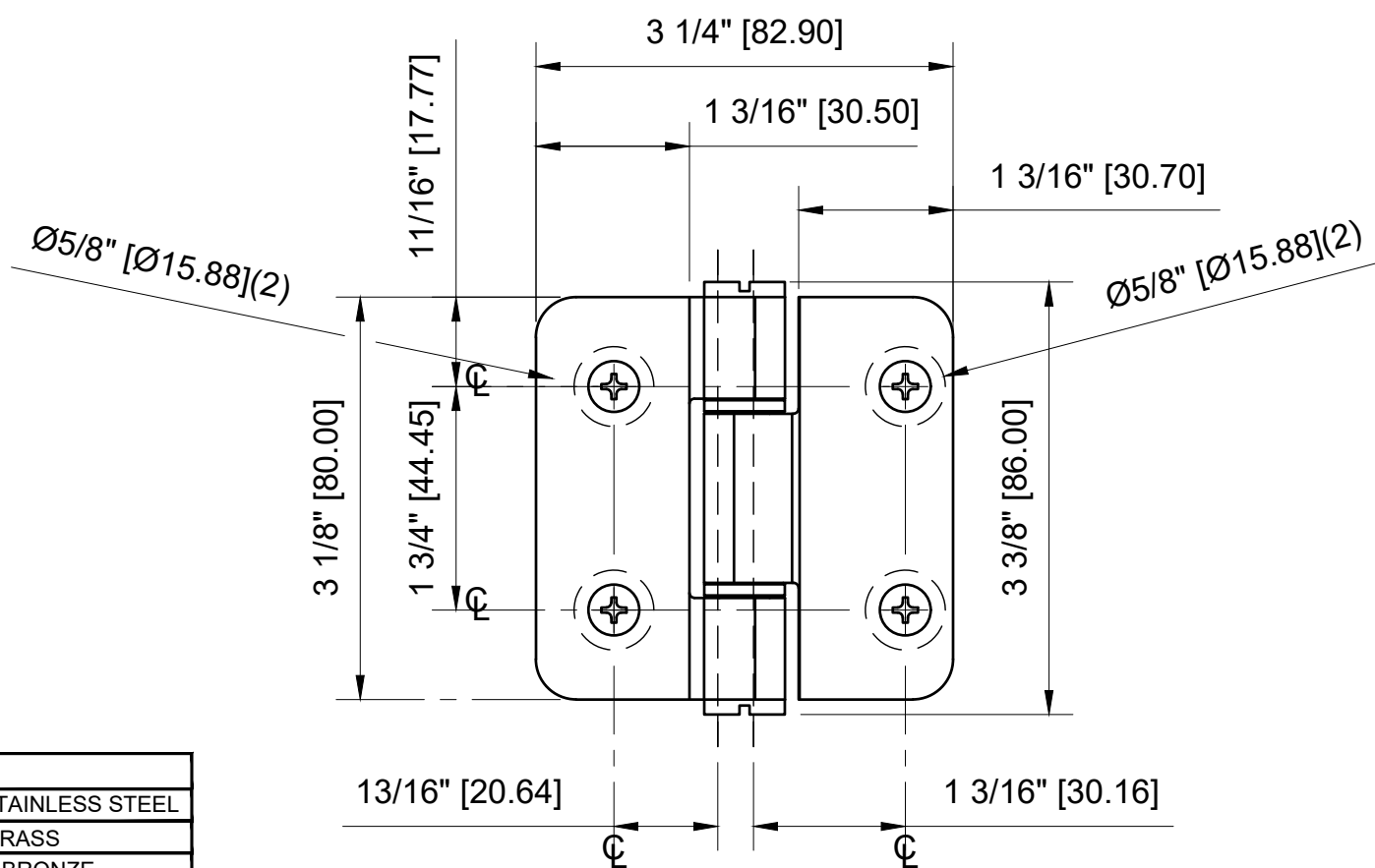
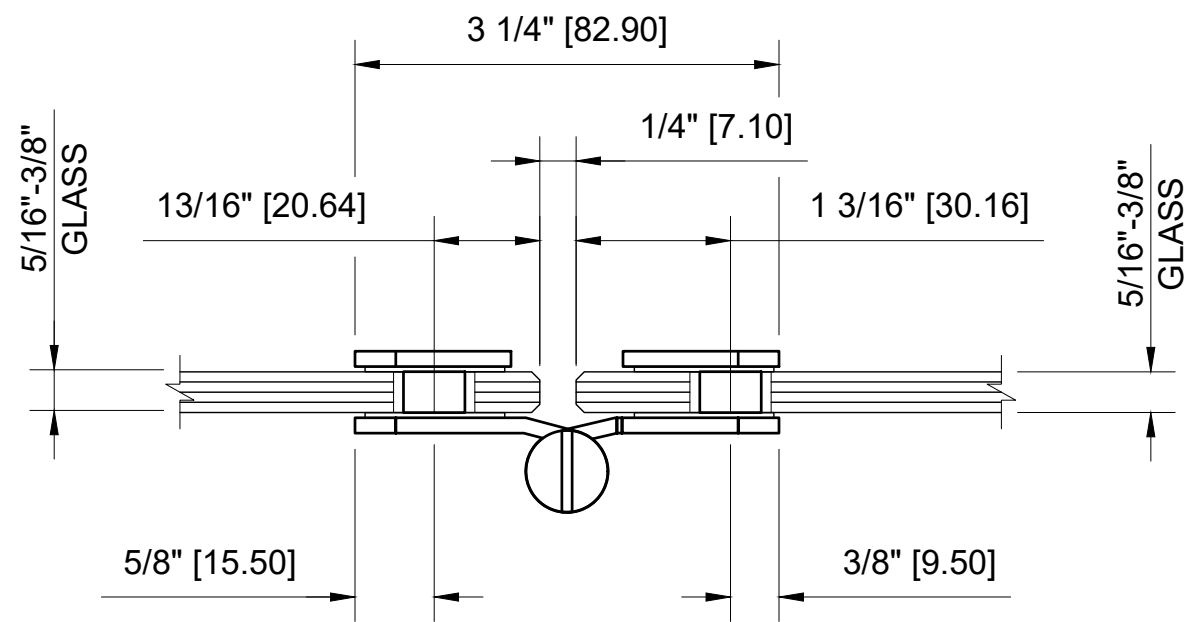


USE OF GASKETS

FOR 5/16" (8mm) GLASS: USE ONE THICK GASKET ON EACH SIDE
 FOR 3/8" (10mm) GLASS: USE ONE THIN GASKET ON EACH SIDE



CATALOG NUMBER	FINISH
ZUR07PS	POLISHED STAINLESS STEEL
ZUR070BR	POLISHED BRASS
ZUR070RB	OIL RUBBED BRONZE
ZUR07ABR	ANTIQUÉ BRASS
ZUR07BN	BRUSHED NICKEL
ZUR07GP	GOLD PLATE
ZUR07PN	POLISHED NICKEL
ZUR07SS	BRUSHED STAINLESS
ZUR07WS	WHITE STAINLESS STEEL

ZUR07XX - CRL ZURICH SERIES GLASS TO GLASS MOUNT 180° INLINE HINGE

DATE: 9/9/19

SCALE: 6"=1'-0"

DRAWN BY: VM

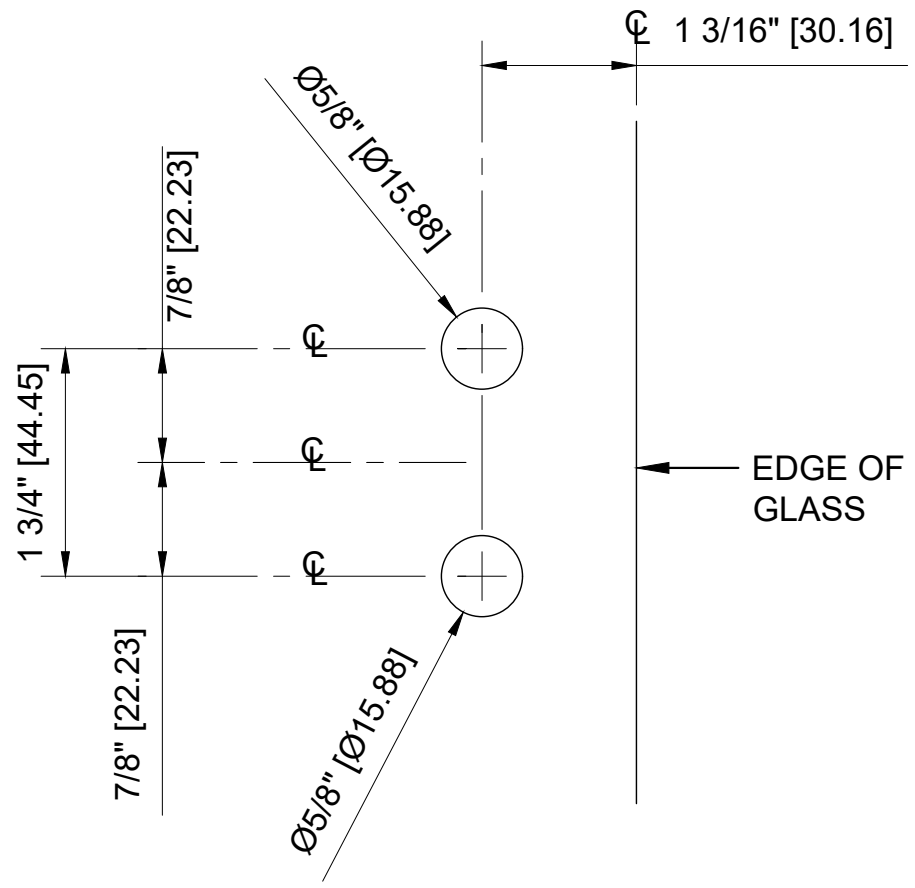
DESCRIPTION: CRL ZURICH SERIES HINGE
 ZUR07 - GLASS TO GLASS MOUNT
 180° INLINE OUT-SWING HINGE

CTS

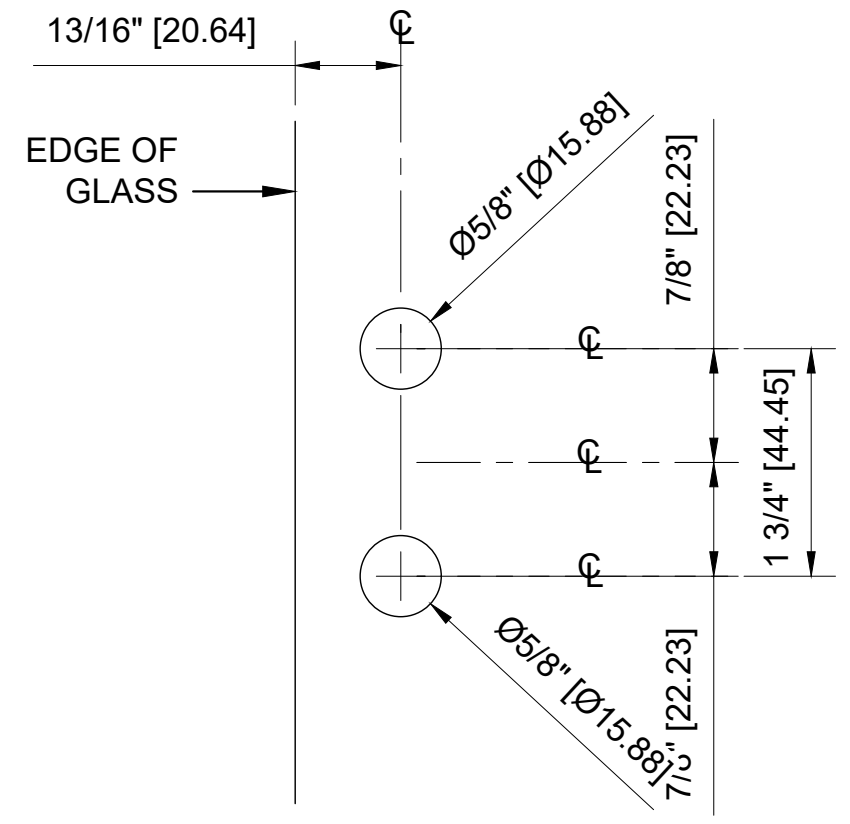
C.R. LAURENCE CO. ARCHITECTURAL PRODUCTS
 2503 E. Vernon Avenue, Los Angeles, CA 90058-1897
 PH (800)-421-6144 FX: 800-587-7501 www.crlaurence.com



USE OF GASKETS
 FOR 5/16" (8mm) GLASS: USE ONE THICK GASKET ON EACH SIDE
 FOR 3/8" (10mm) GLASS: USE ONE THIN GASKET ON EACH SIDE



FIXED PANEL "A"
 GLASS FABRICATION TEMPLATE



DOOR PANEL "B"
 GLASS FABRICATION TEMPLATE

CATALOG NUMBER	FINISH
ZUR07PS	POLISHED STAINLESS STEEL
ZUR070BR	POLISHED BRASS
ZUR070RB	OIL RUBBED BRONZE
ZUR07ABR	ANTIQUÉ BRASS
ZUR07BN	BRUSHED NICKEL
ZUR07GP	GOLD PLATE
ZUR07PN	POLISHED NICKEL
ZUR07SS	BRUSHED STAINLESS
ZUR07WS	WHITE STAINLESS STEEL

ZUR07XX - CRL ZURICH SERIES GLASS TO GLASS MOUNT 180° INLINE HINGE

DATE: 9/9/19
 SCALE: 6"=1'-0"
 DRAWN BY: VM

DESCRIPTION: CRL ZURICH SERIES HINGE
 CTS
 ZUR07 - GLASS TO GLASS MOUNT
 180° INLINE OUT-SWING HINGE
 www.crlaurence.com

C.R. LAURENCE CO. ARCHITECTURAL PRODUCTS
 2503 E. Vernon Avenue, Los Angeles, CA 90058-1897
 PH (800)-421-6144 FX: 800-587-7501 www.crlaurence.com

