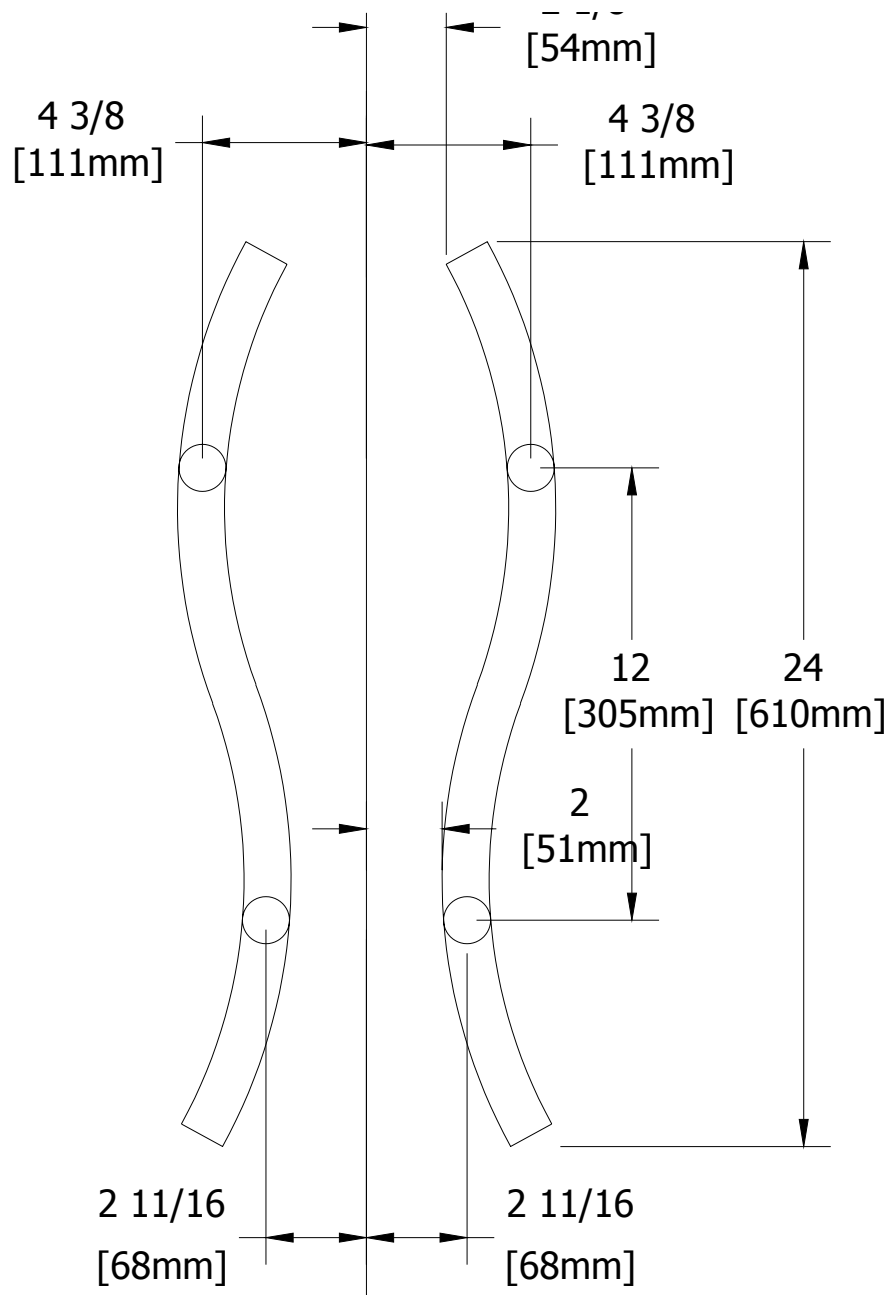


Glass Fabrication:
 $\frac{3}{8}$ "[10mm] and $\frac{1}{2}$ "[12mm]:
 $\text{Ø}\frac{5}{8}$ "[16mm] holes

24SRPBS
 24SRPPS

$\frac{3}{4}$ "[19mm]:
 $\text{Ø}\frac{3}{4}$ "[19mm] holes

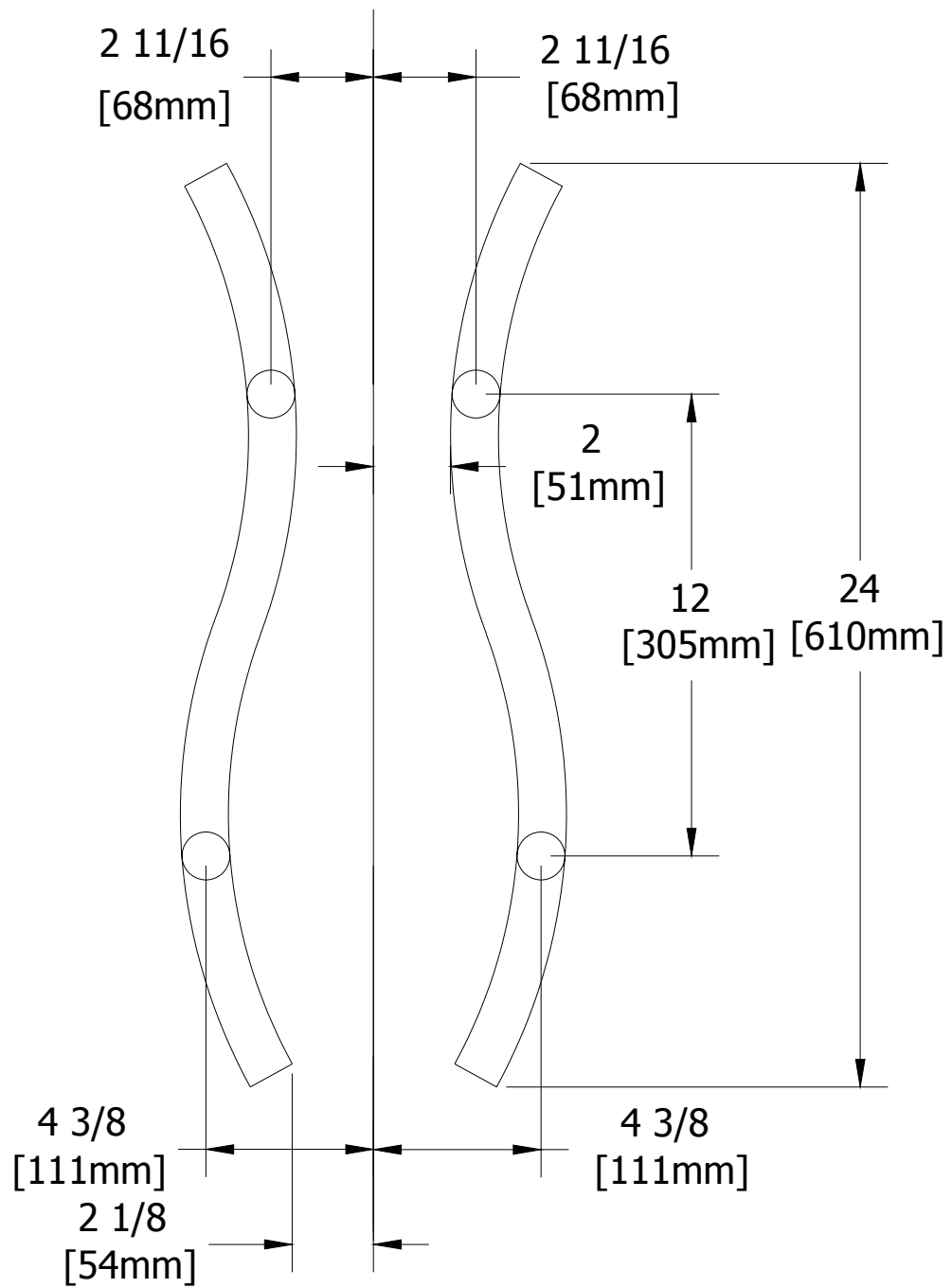


24SLPBS
24SLPPS

24SRPBS
24SRPPS

Glass Fabrication:
 $\frac{3}{8}$ " [10mm] and $\frac{1}{2}$ " [12mm]:
 $\text{Ø} \frac{5}{8}$ " [16mm] holes

$\frac{3}{4}$ " [19mm]:
 $\text{Ø} \frac{3}{4}$ " [19mm] holes

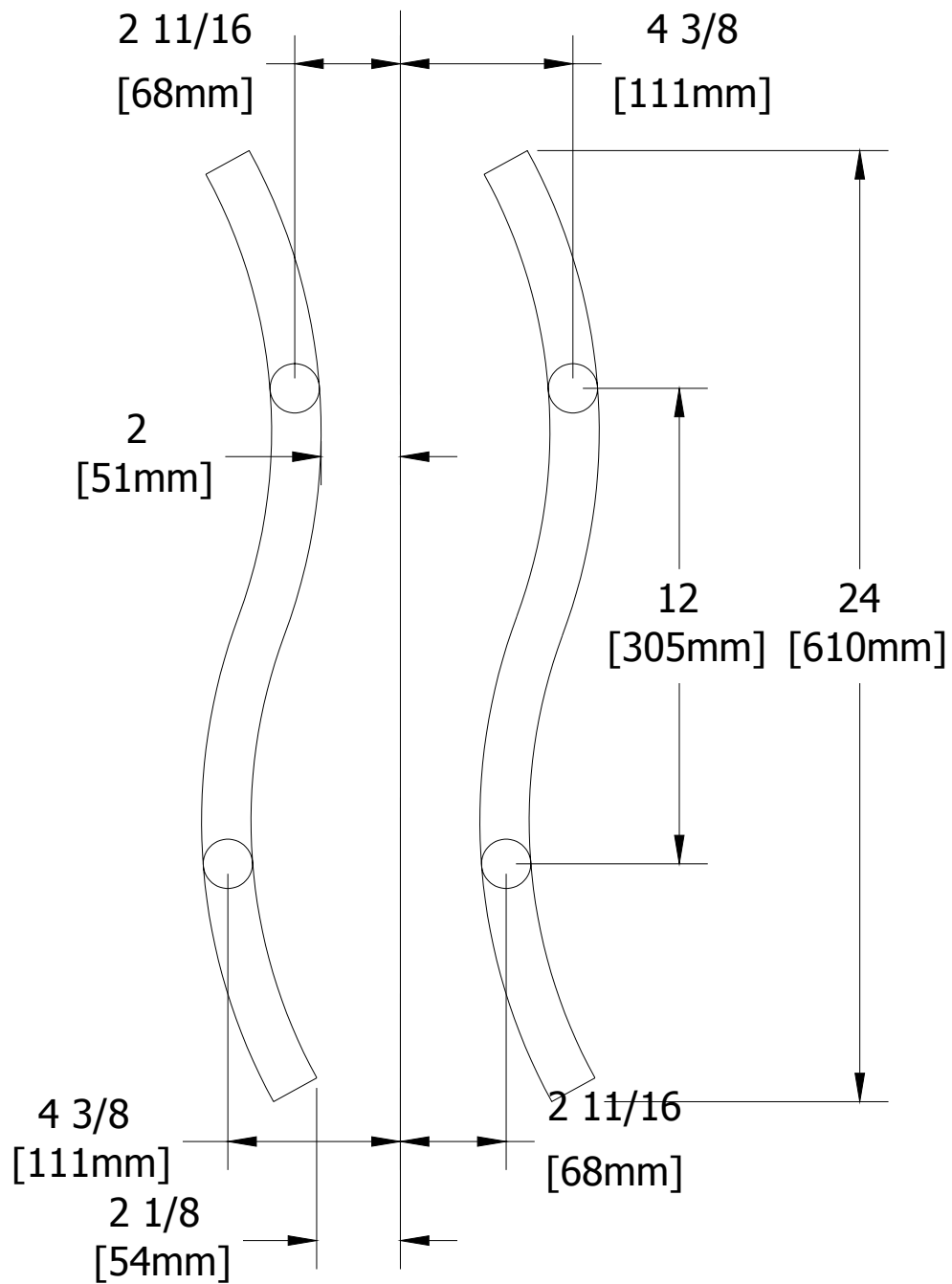


24SRPBS
24SRPPS

24SLPBS
24SLPPS

Glass Fabrication:
 3/8"[10mm] and 1/2"[12mm]:
 Ø5/8"[16mm] holes

3/4"[19mm]:
 Ø3/4"[19mm] holes



24SRPBS
24SRPPS

24SRPBS
24SRPPS

Glass Fabrication:
 $\frac{3}{8}$ " [10mm] and $\frac{1}{2}$ " [12mm]:
 $\text{Ø} \frac{5}{8}$ " [16mm] holes

$\frac{3}{4}$ " [19mm]:
 $\text{Ø} \frac{3}{4}$ " [19mm] holes