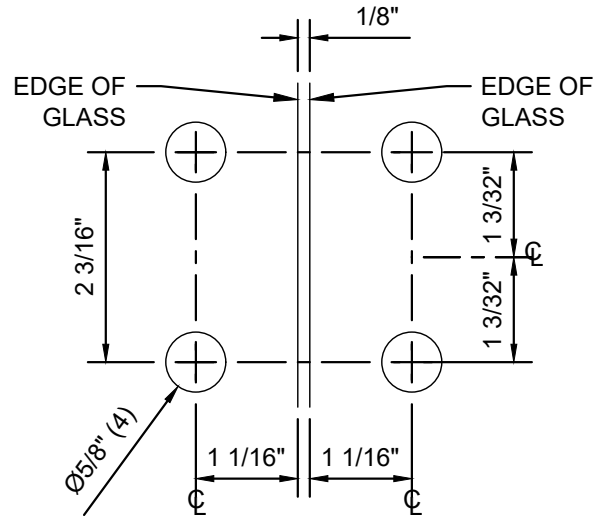
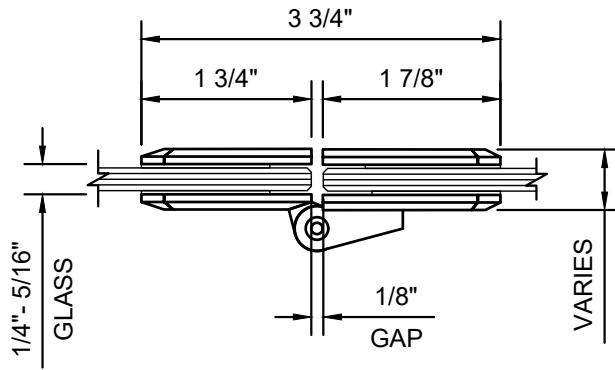


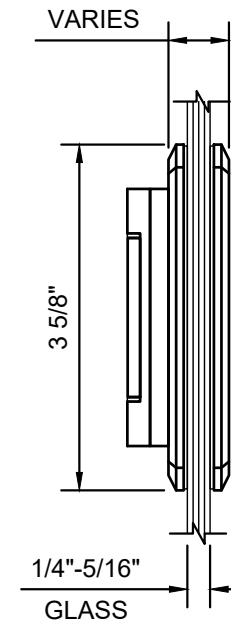
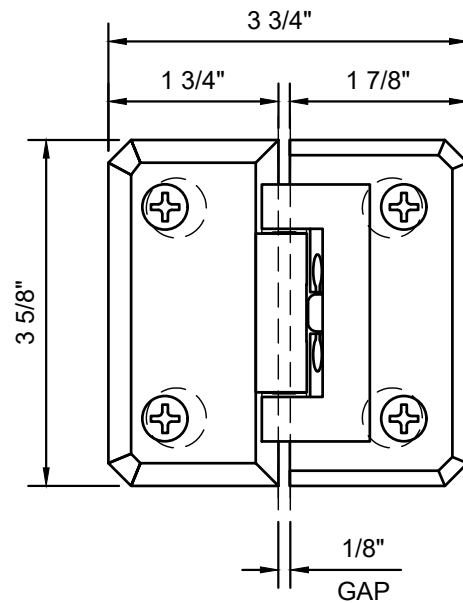
USE OF GASKETS

FOR 1/4" (6mm) GLASS: USE ONE THICK GASKET ON EACH SIDE

FOR 5/16" (8mm) GLASS: USE ONE THIN GASKET ON EACH SIDE



GLASS FABRICATION TEMPLATE



| CATALOG NUMBER | FINISH |
|----------------|------------------------|
| M0N181CH | POLISHED CHROME |
| M0N181BN | BRUSHED NICKEL |
| M0N181GP | GOLD PLATE |
| M0N181W | WHITE |
| M0N181WC | WHITE W/ CHROME ACCENT |

M0N181XX - CRL MONACO SERIES 180 DEGREE GLASS TO GLASS HINGE

DATE: 3/1/19

SCALE: 6"=1'-0"

DRAWN BY: VM

DESCRIPTION: CRL MONACO SERIES HINGE

M0N181 180° GLASS TO GLASS
DOOR SWINGS 180° OUT ONLY

C.R. LAURENCE CO. ARCHITECTURAL PRODUCTS
2503 E. Vernon Avenue, Los Angeles, CA 90058-1897
PH (800)-421-6144 FX: 800-587-7301 www.crlaurence.com

