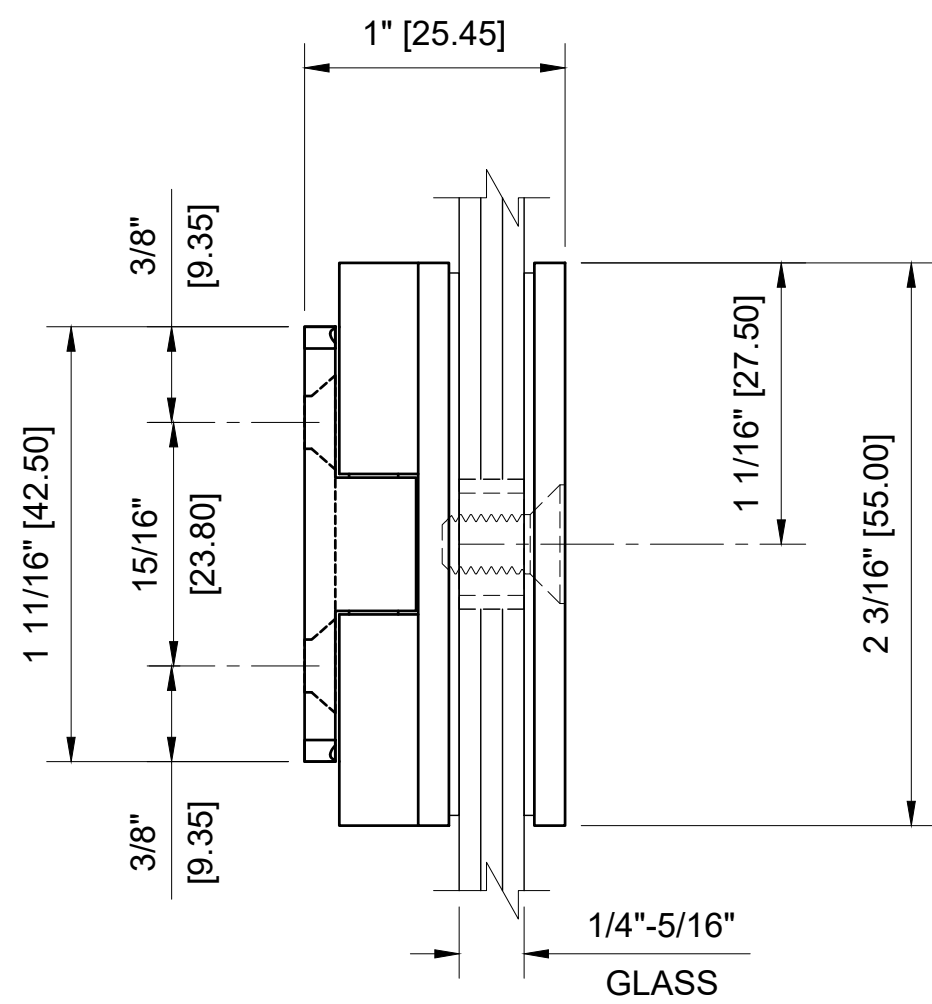
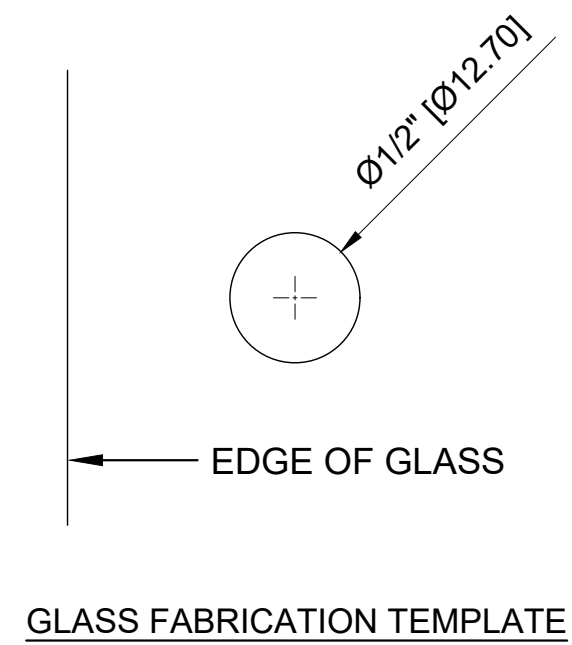
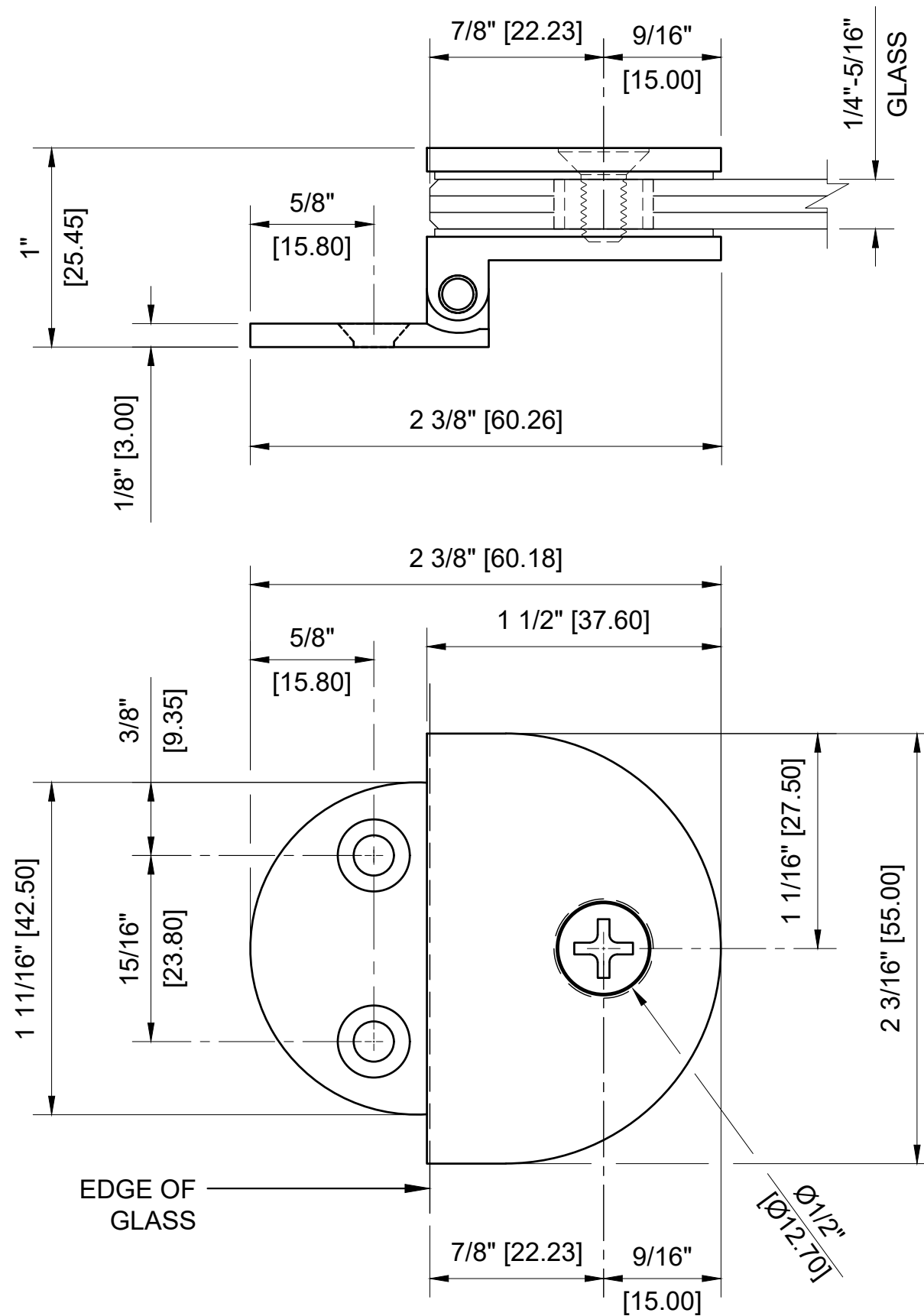


5/16" (8mm) GLASS:
 1/4" (6mm) GLASS:



CRL - EH185 HALF ROUND LIGHT DUTY FRAMELESS SHOWER DOOR HINGE FOR 1/4" - 5/16" GLASS

DATE: 7-22-2020
 SCALE: 1'-0"=1'-0"
 DRAWN BY: VM

DESCRIPTION: CRL - EH185 SATIN CHROME
 CTS
 HALF ROUND STYLE LIGHT DUTY FRAMELESS
 SHOWER DOOR HINGE WALL MOUNT

C.R. LAURENCE CO. ARCHITECTURAL PRODUCTS
 2503 E. Vernon Avenue, Los Angeles, CA 90058-1897
 PH (800)-421-6144 FX: 800-587-7501 www.crlaurence.com

