

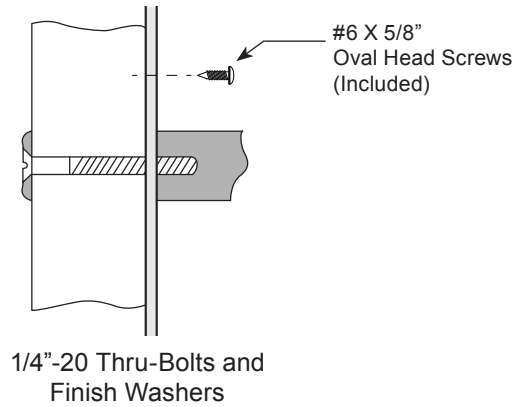
CRL ALUMINUM DOOR MOUNTED STANDARD PULL HANDLES

CRL 3/4" DIAMETER 6" PULL HANDLE WITH 4" X 16" PUSH PLATE

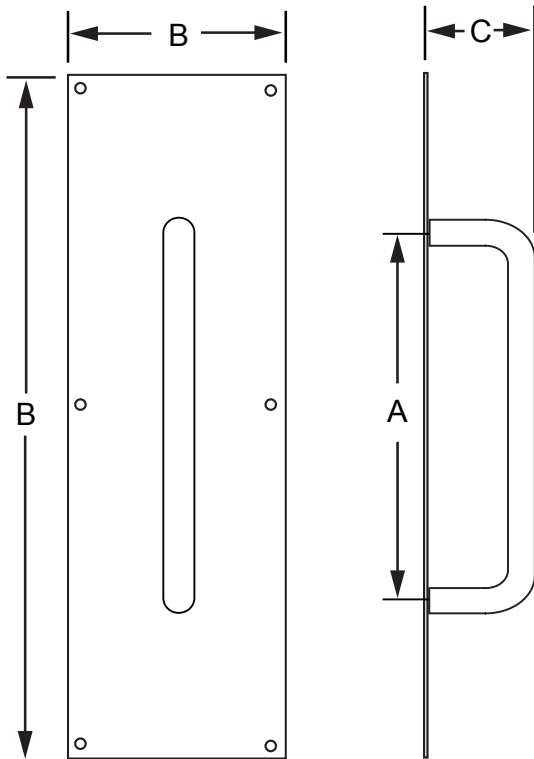


CAT. NO.
M6832D
M6828
M683

INCLUDED MOUNTING HARDWARE



MOUNTING TEMPLATE



FINISH
M6832D = BRUSHED STAINLESS
M6828 = CLEAR ANODIZED
M683 = POLISHED BRASS

NOTE: Please select appropriate Cat. No. for color and finish.

A	B	C
6" (152 mm)	4" x 16" (102 x 406 mm) Plate	2-1/2" (64 mm)

Mounting Options	Wood/Aluminum up to 1-3/4" (45 mm)
Mounting Hardware	Included

NOTE: Optional hardware kits must be purchased separately.

