



B5B SERIES CRL SMOKE BAFFLE

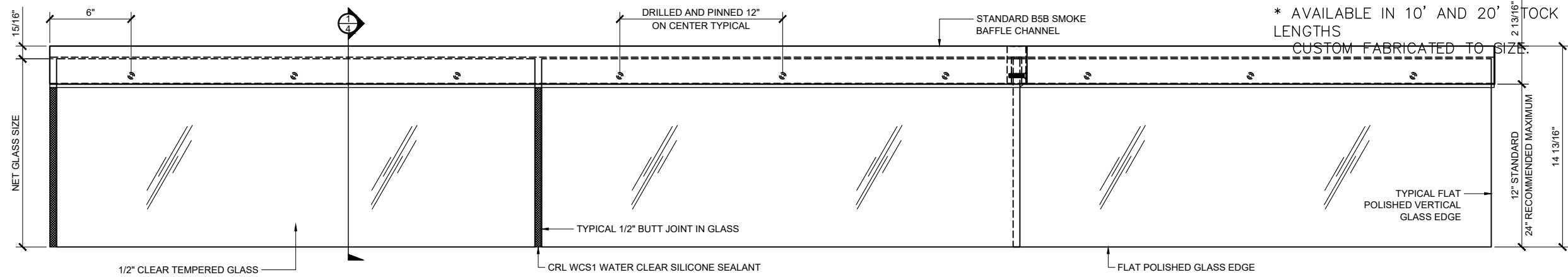
CRL SMOKE BAFFLE SYSTEMS ARE DESIGNED TO PROVIDE AN ALMOST INVISIBLE 1/2" TEMPERED GLASS SMOKE CURTAIN. MANY OF TODAY'S FIRE CODES REQUIRE LARGE OFFICES OR RETAIL AREAS TO BE BROKEN DOWN INTO SMALLER, MORE MANAGEABLE AREAS THAT CAN BE MONITORED BY SMOKE DETECTORS. THIS IS THE SPECIFIC APPLICATION FOR SMOKE BAFFLES OR CURTAINS. SMOKE CURTAINS WORK TO RETAIN SMOKE IN A SPECIFIC AREA OF A SPECIFIED SQUARE FOOTAGE. SOME SPRINKLER SYSTEMS ARE ACTIVATED BY A SMOKE ALARM, SO SECTIONING OFF AREAS THROUGH THE USE OF SMOKE CURTAINS CAN PREVENT UNNECESSARY SPRINKLER ACTIVATION.

STANDARD SYSTEM INCLUDES
B5B SERIES ALUMINUM BASE SHOE
GR5PV VINYL CAP RAIL INSERT
RG12100 ROLL IN VINYL
STEEL ALLOY BLACK OXIDE PINNING
SCREWS
RIGID NYLON GROMMETS
SHEET METAL CLADDING (OPTIONAL)

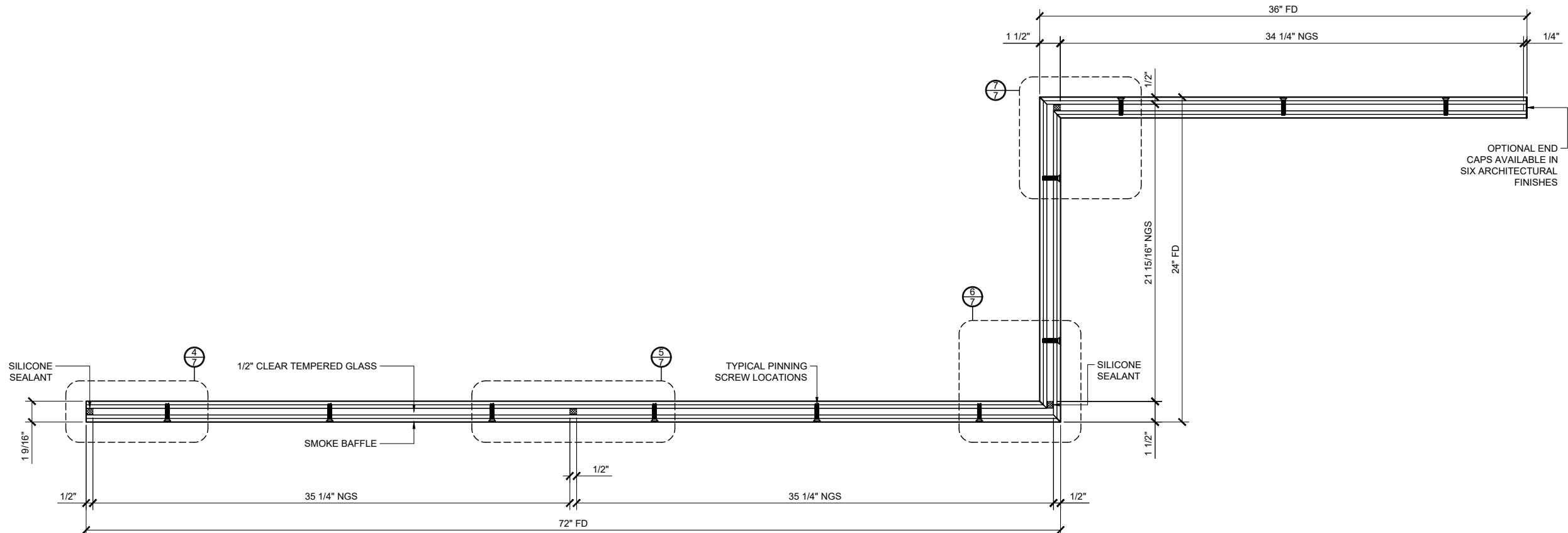
OPTIONAL CLAD FINISHES
MILL ALUMINUM
BRUSHED STAINLESS STEEL
CLADDING
POLISHED STAINLESS STEEL
CLADDING
SATIN BRASS CLADDING
POLISHED BRASS CLADDING
DARK BRONZE CLADDING
SATIN ANODIZED CLADDING

* FOR FABRICATING ALMOST INVISIBLE SMOKE CURTAINS FROM 1/2" GLASS.
* GLASS IS MECHANICALLY SECURED WITH FASTENERS AND GROMMETS.
* CUSTOM DRILLING, MITERING AND CUTTING SERVICES ARE AVAILABLE.

* AVAILABLE IN 10' AND 20' STOCK LENGTHS
CUSTOM FABRICATED TO SIZE.



B5B SERIES SMOKE BAFFLE FOR 1/2" GLASS - ELEVATION



SMOKE BAFFLE FOR 1/2" GLASS - REFLECTED CEILING PLAN

CRL SMOKE BAFFLES FOR 1/2" GLASS

Revisions By:



C.R. LAURENCE CO. ARCHITECTURAL PRODUCTS
13300 S. Harbor Blvd., Suite 100, Los Angeles, CA 90058-1887
PH: (800) 421-8144 FAX: 800-587-7501 www.crlusa.com

Discription:
CRL / BLUMCRAFT
SMOKE BAFFLE SYSTEMS
FOR 1/2" AND 3/4" GLASS

Drawn By: AAD
Date: 10/4/12
Scale: AS NOTED
File Name: CRL-Blumcraft Smoke Baffles.dwg
Sheet



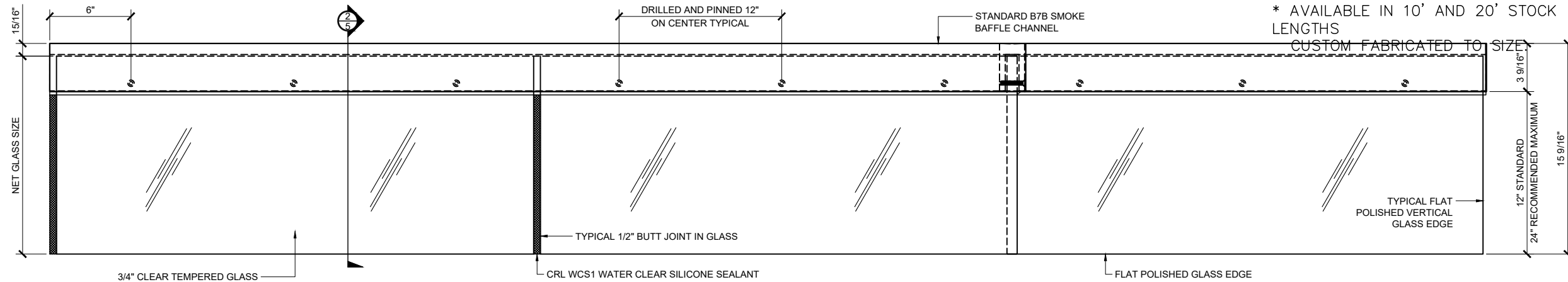
B7B SERIES CRL SMOKE BAFFLE

CRL SMOKE BAFFLE SYSTEMS ARE DESIGNED TO PROVIDE AN ALMOST INVISIBLE 3/4" TEMPERED GLASS SMOKE CURTAIN. MANY OF TODAY'S FIRE CODES REQUIRE LARGE OFFICES OR RETAIL AREAS TO BE BROKEN DOWN INTO SMALLER, MORE MANAGEABLE AREAS THAT CAN BE MONITORED BY SMOKE DETECTORS. THIS IS THE SPECIFIC APPLICATION FOR SMOKE BAFFLES OR CURTAINS. SMOKE CURTAINS WORK TO RETAIN SMOKE IN A SPECIFIC AREA OF A SPECIFIED SQUARE FOOTAGE. SOME SPRINKLER SYSTEMS ARE ACTIVATED BY A SMOKE ALARM, SO SECTIONING OFF AREAS THROUGH THE USE OF SMOKE CURTAINS CAN PREVENT UNNECESSARY SPRINKLER ACTIVATION.

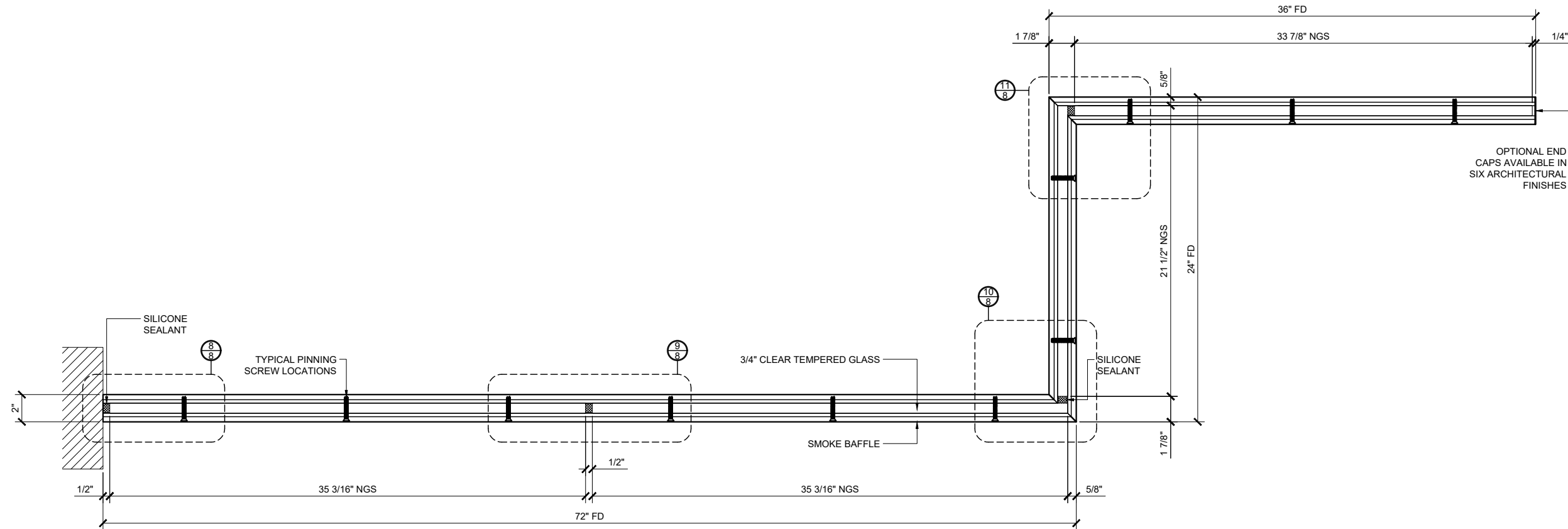
STANDARD SYSTEM INCLUDES
 B7B SERIES ALUMINUM BASE SHOE
 GR7PV VINYL CAP RAIL INSERT
 RG12100 ROLL IN VINYL
 STEEL ALLOY BLACK OXIDE PINNING
 SCREWS
 RIGID NYLON GROMMETS
 SHEET METAL CLADDING (OPTIONAL)

OPTIONAL CLAD FINISHES
 MILL ALUMINUM
 BRUSHED STAINLESS STEEL
 CLADDING
 POLISHED STAINLESS STEEL
 CLADDING
 SATIN BRASS CLADDING
 POLISHED BRASS CLADDING
 DARK BRONZE CLADDING
 SATIN ANODIZED CLADDING

* FOR FABRICATING ALMOST INVISIBLE SMOKE CURTAINS FROM 3/4" GLASS.
 * GLASS IS MECHANICALLY SECURED WITH FASTENERS AND GROMMETS.
 * CUSTOM DRILLING, MITERING AND CUTTING SERVICES ARE AVAILABLE.
 * AVAILABLE IN 10' AND 20' STOCK LENGTHS
 CUSTOM FABRICATED TO SIZE



B7B SERIES SMOKE BAFFLE FOR 3/4" GLASS - ELEVATION



SMOKE BAFFLE FOR 3/4" GLASS - REFLECTED CEILING PLAN

CRL SMOKE BAFFLES FOR 3/4" GLASS

Revisions By:

CRL
 C.R. LAURENCE CO. ARCHITECTURAL PRODUCTS
 13300 S. Harbor Blvd., Suite 100
 Los Angeles, CA 90058-1887
 PH: (800) 421-8144 FAX: 800-567-7501 www.crlusa.com

Discription:
 CRL / BLUMCRAFT
 SMOKE BAFFLE SYSTEMS
 FOR 1/2" AND 3/4" GLASS

Drawn By: AAD
 Date: 10/4/12
 Scale: AS NOTED
 File Name:
 CRL-Blumcraft Smoke Baffles.dwg

Sheet

2



SB200 CRL-BLUMCRAFT SMOKE BAFFLE

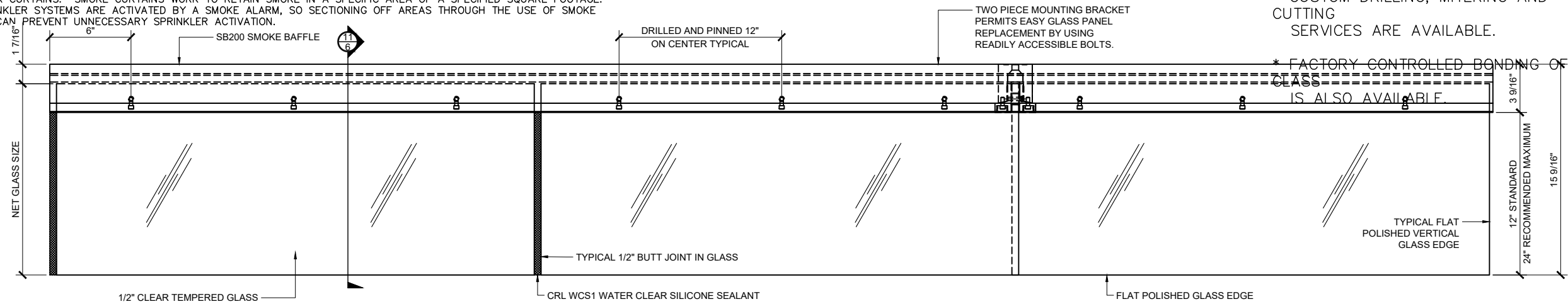
SYSTEMS

CRL SMOKE BAFFLE SYSTEMS ARE DESIGNED TO PROVIDE AN ALMOST INVISIBLE 1/2" TEMPERED GLASS SMOKE CURTAIN. MANY OF TODAY'S FIRE CODES REQUIRE LARGE OFFICES OR RETAIL AREAS TO BE BROKEN DOWN INTO SMALLER, MORE MANAGEABLE AREAS THAT CAN BE MONITORED BY SMOKE DETECTORS. THIS IS THE SPECIFIC APPLICATION FOR SMOKE BAFFLES OR CURTAINS. SMOKE CURTAINS WORK TO RETAIN SMOKE IN A SPECIFIC AREA OF A SPECIFIED SQUARE FOOTAGE. SOME SPRINKLER SYSTEMS ARE ACTIVATED BY A SMOKE ALARM, SO SECTIONING OFF AREAS THROUGH THE USE OF SMOKE CURTAINS CAN PREVENT UNNECESSARY SPRINKLER ACTIVATION.

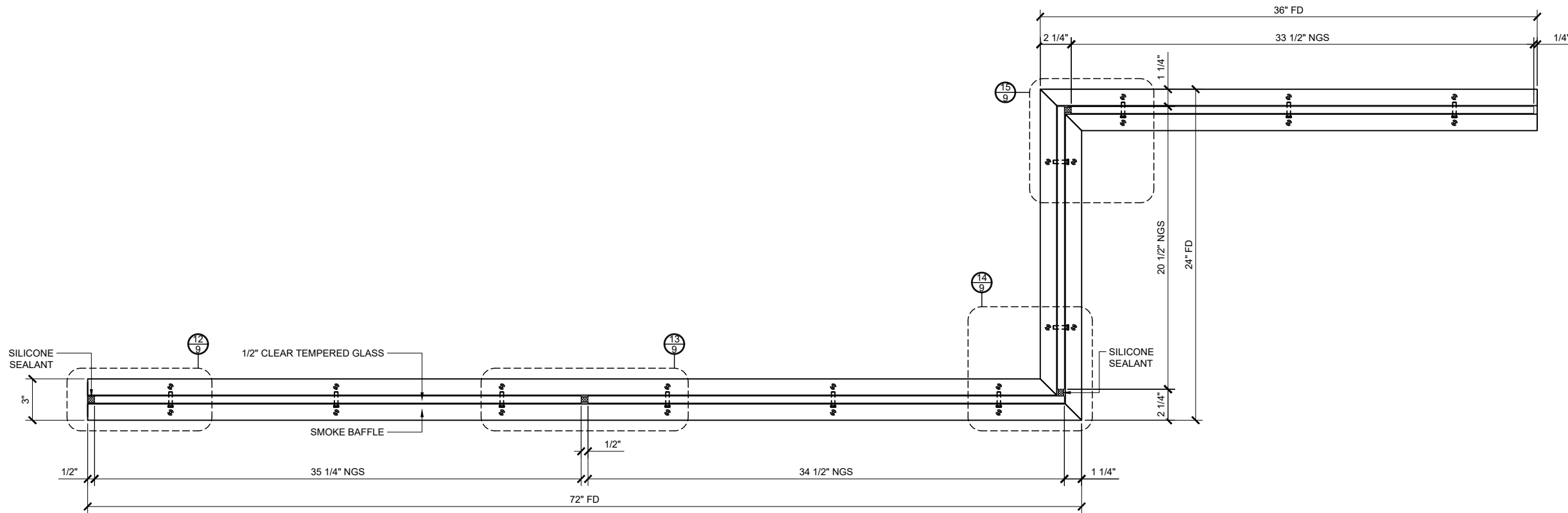
SB200 STANDARD SYSTEM INCLUDES
 SB200 TWO PIECE ALUMINUM BASE/INSERT CHANNEL
 FS307 SNAP IN INSERTS
 STEEL ALLOY GLASS PINS/RIGID GROMMETS/BUSHING
 SUB CHANNEL MOUNTING SCREWS
 CLADDING OPTIONAL

OPTIONAL CLAD FINISHES
 CLEAR ANODIZED
 SATIN ANODIZED
 DARK BRONZE
 ANODIZED

* FOR FABRICATING ALMOST INVISIBLE SMOKE CURTAINS FROM 1/2" GLASS.
 * GLASS IS MECHANICALLY SECURED WITH FASTENERS AND GROMMETS. THEN BONDED WITH KWIKSET EXPANSION CEMENT.
 * CUSTOM DRILLING, MITERING AND CUTTING SERVICES ARE AVAILABLE.



SB200 CRL-BLUMCRAFT SMOKE BAFFLE FOR 1/2" GLASS - ELEVATION



SMOKE BAFFLE FOR 1/2" GLASS - REFLECTED CEILING PLAN

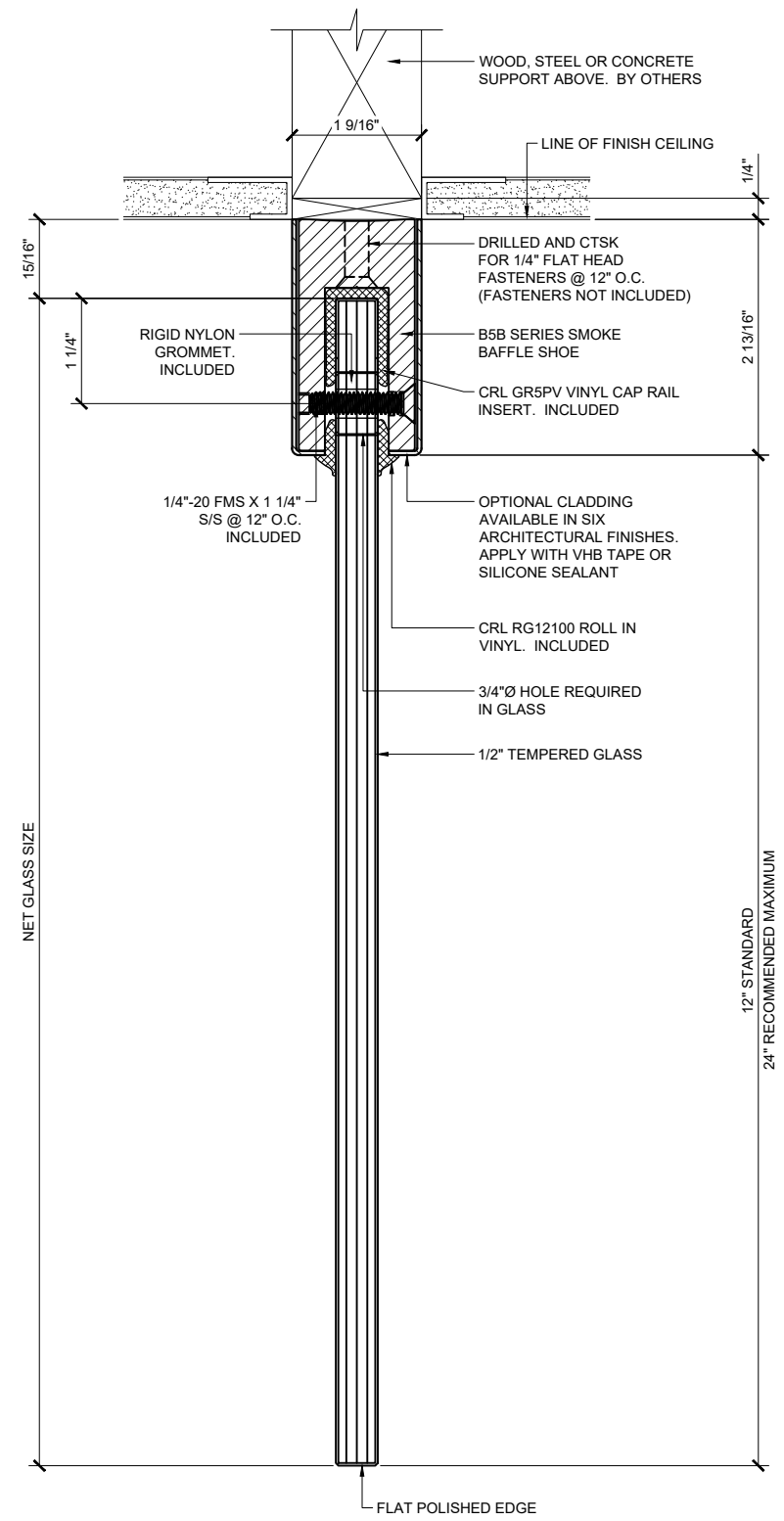
CRL SMOKE BAFFLES FOR 3/4" GLASS

Revisions By:

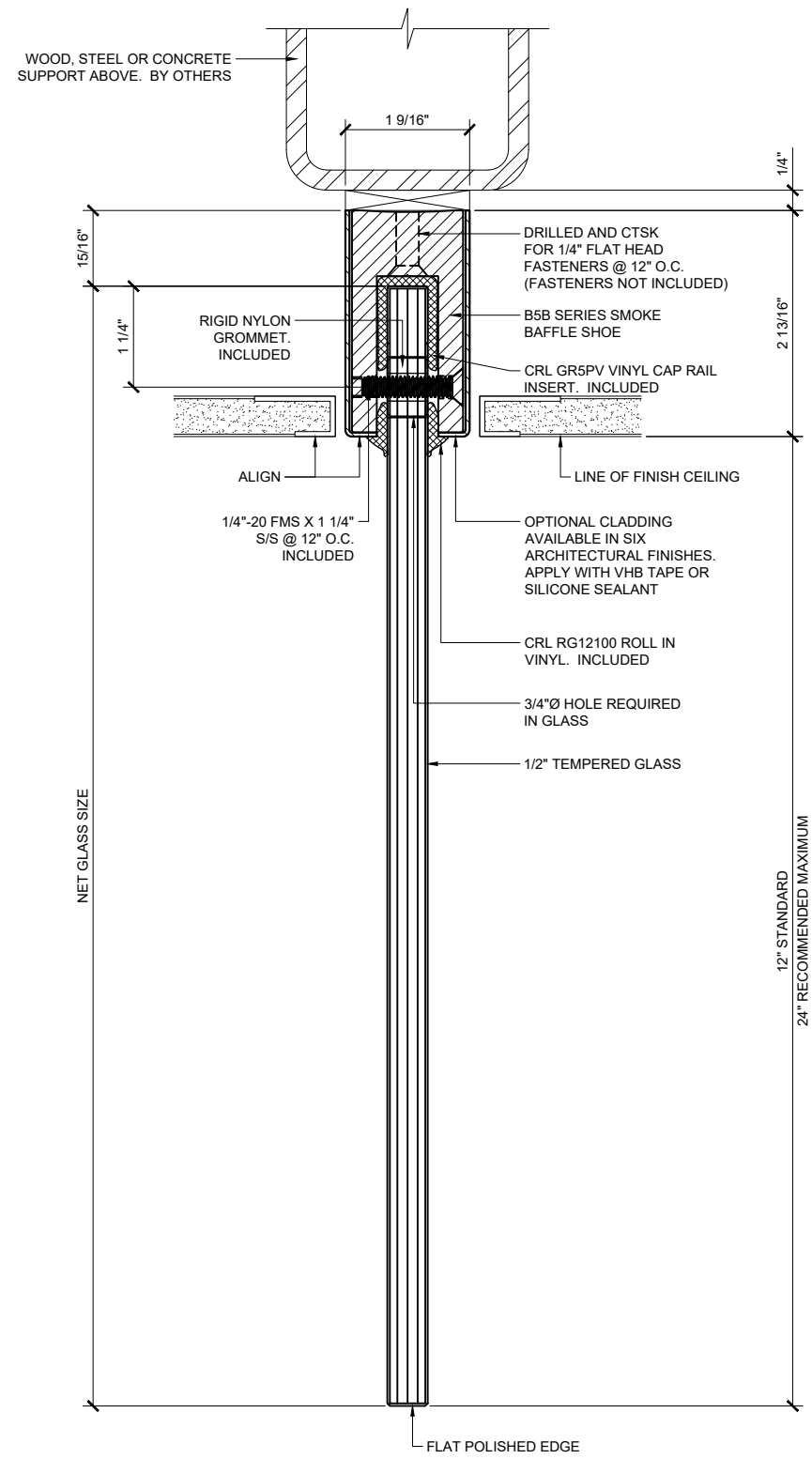
CRL
 C.R. LAURENCE CO. ARCHITECTURAL PRODUCTS
 13300 S. Harbor Blvd., Suite 100, Los Angeles, CA 90061-1887
 PH: (800) 421-8144 FAX: (800) 567-7501 www.crlaurence.com

Description:
 CRL / BLUMCRAFT
 SMOKE BAFFLE SYSTEMS
 FOR 1/2" AND 3/4" GLASS

Drawn By: AAD
 Date: 10/4/12
 Scale: AS NOTED
 File Name: CRL-Blumcraft Smoke Baffles.dwg
 Sheet




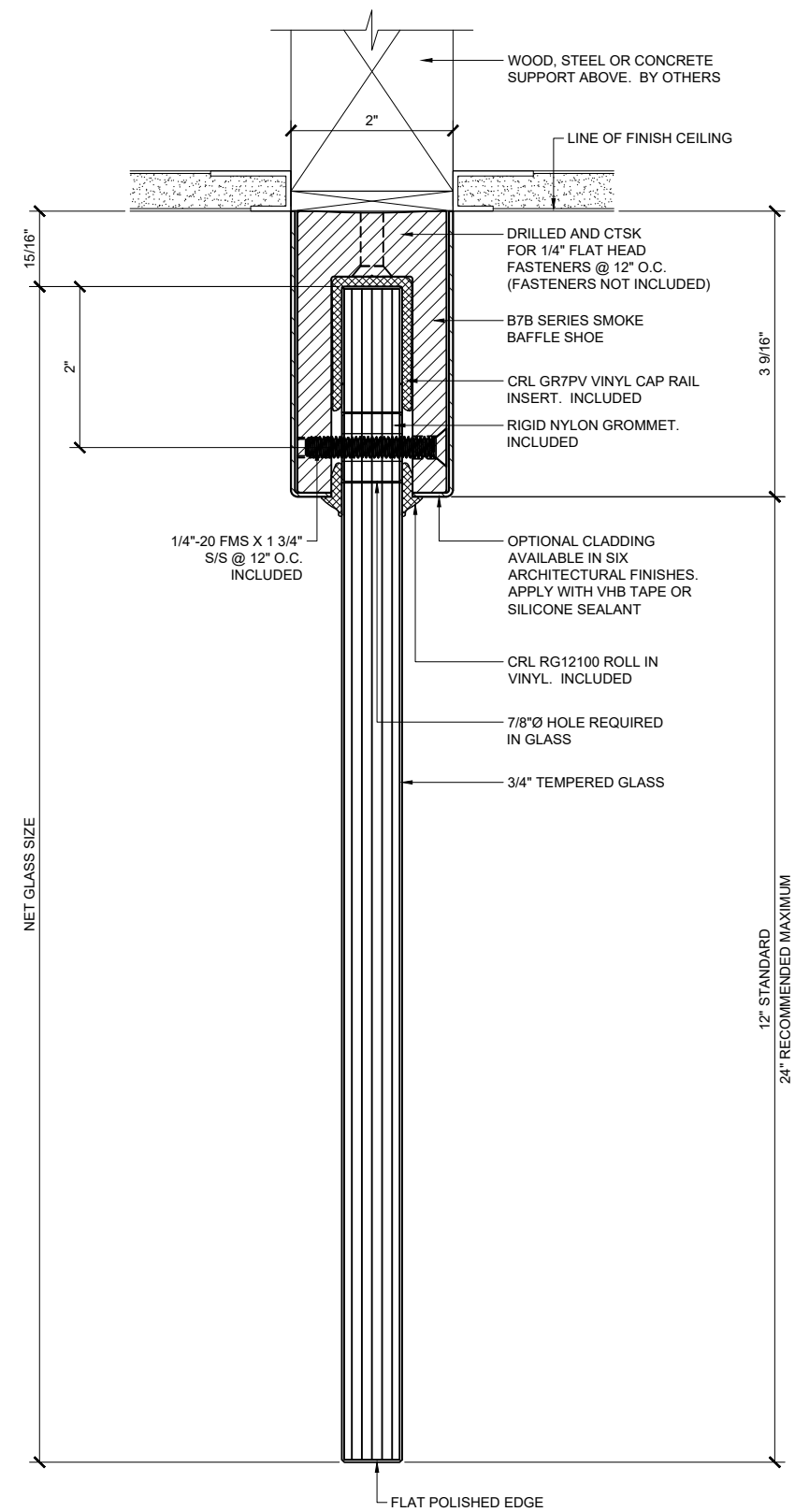
SECTION DETAIL AT SMOKE BAFFLE FOR 1/2" GLASS (EXPOSED OPTION) ①



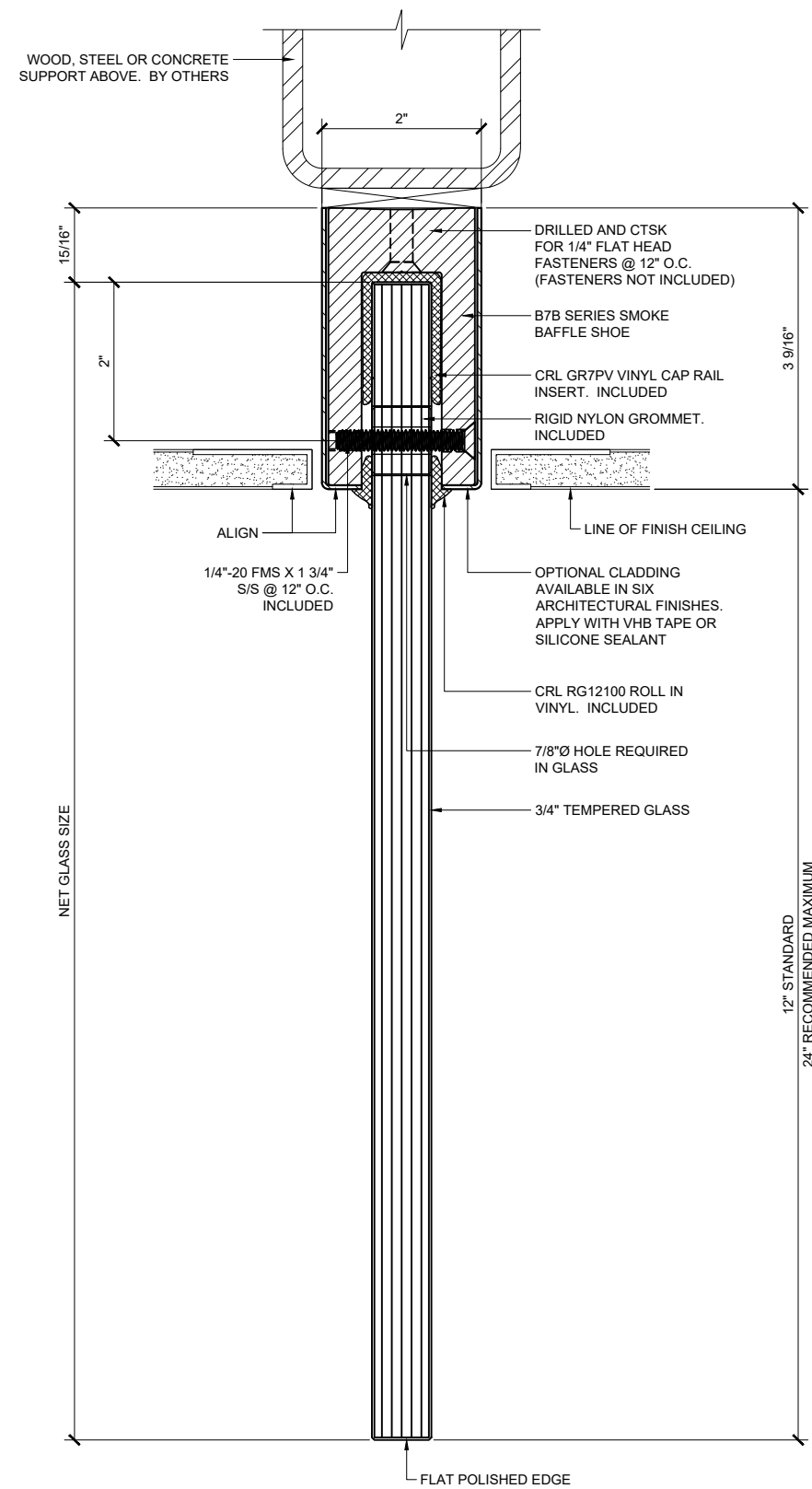
SECTION DETAIL AT SMOKE BAFFLE FOR 1/2" GLASS (RECESSED OPTION) ①A

CRL B5B SERIES SMOKE BAFFLE FOR 1/2" GLASS

Revisions By:	
	
C.R. LAURENCE CO. ARCHITECTURAL PRODUCTS 13300 S. Harbor Blvd., Suite 100, Los Angeles, CA 90058-1887 PH: (800) 421-8114 TX: 800-557-7501 www.crlusa.com	
Description:	CRL / BLUMCRAFT SMOKE BAFFLE SYSTEMS FOR 1/2" AND 3/4" GLASS
Drawn By:	AAD
Date:	10/4/12
Scale:	AS NOTED
File Name:	CRL-Blumcraft Smoke Baffles.dwg
Sheet	
4	




SECTION DETAIL AT SMOKE BAFFLE FOR 3/4" GLASS (EXPOSED OPTION) (2)



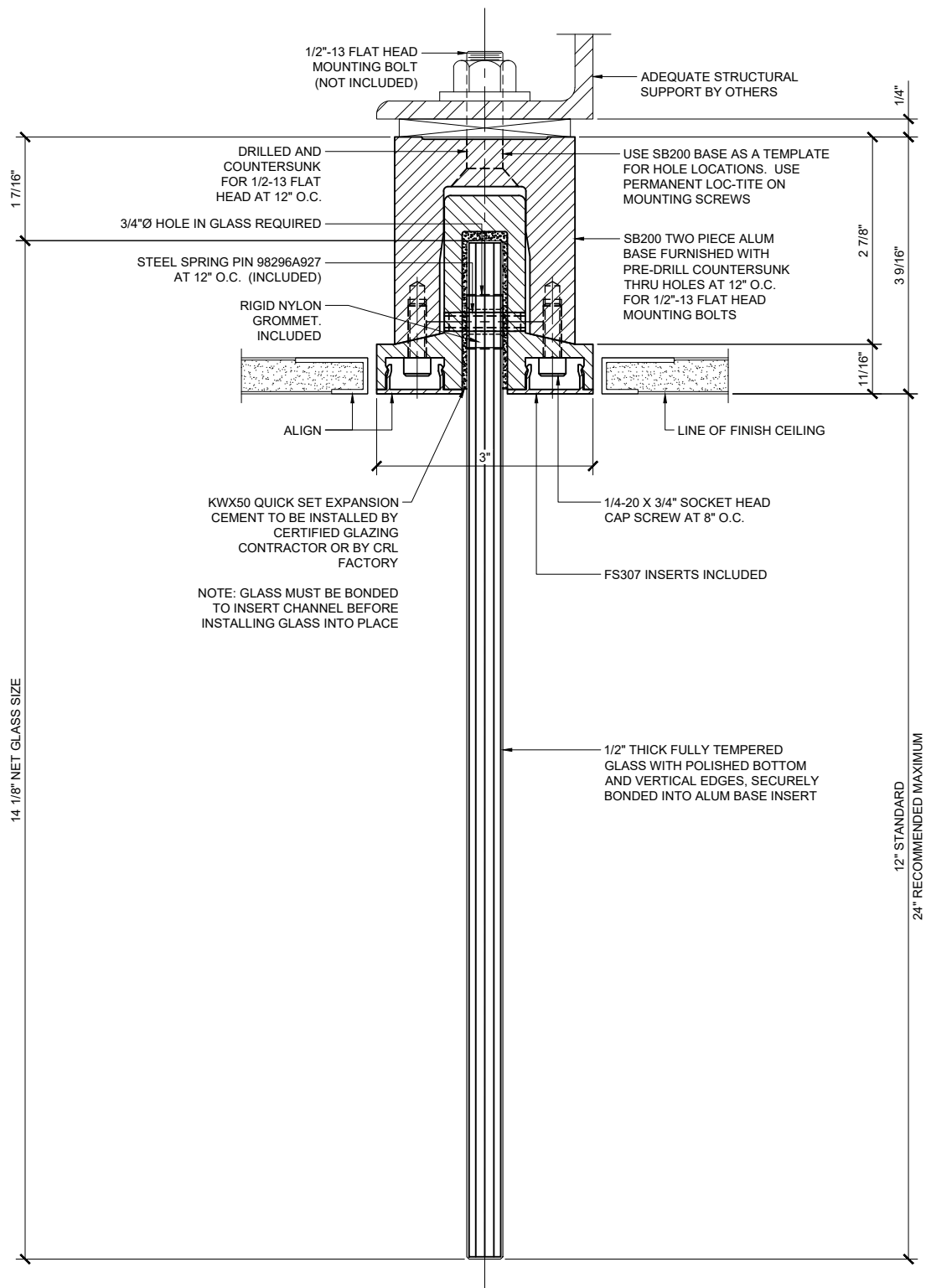
SECTION DETAIL AT SMOKE BAFFLE FOR 3/4" GLASS (RECESSED OPTION) (2A)

CRL B7B SERIES SMOKE BAFFLE FOR 3/4" GLASS

Revisions By:	
	
C.R. LAURENCE CO. ARCHITECTURAL PRODUCTS 13300 S. Harbor Blvd., Suite 100, Los Angeles, CA 90058-1887 PH: (800) 421-8114 TX: 800-567-7501 www.crlaurence.com	
Description:	CRL / BLUMCRAFT SMOKE BAFFLE SYSTEMS FOR 1 1/2" AND 3/4" GLASS
Drawn By:	AAD
Date:	10/4/12
Scale:	AS NOTED
File Name:	CRL-Blumcraft Smoke Baffles.dwg
Sheet	
5	

Revisions By:

CRL
C.R. LAURENCE CO. ARCHITECTURAL PRODUCTS
13301 S. Harbor Blvd., Suite 100, Newport Beach, CA 92660-1887
PH (949) 421-8144 FAX (949) 551-7501 www.crlaurence.com

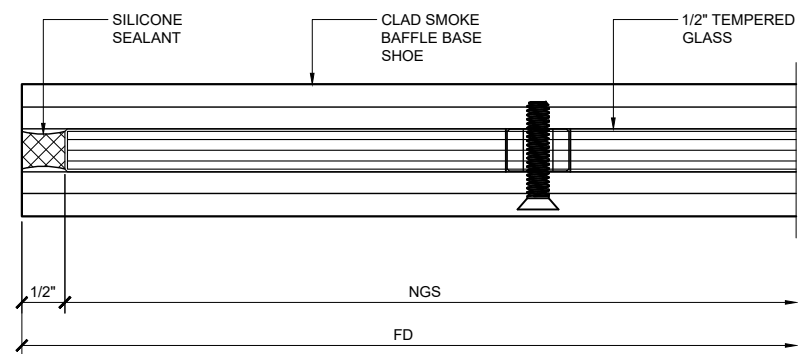


SECTION DETAIL AT SB200 SMOKE BAFFLE FOR 1/2" GLASS 3

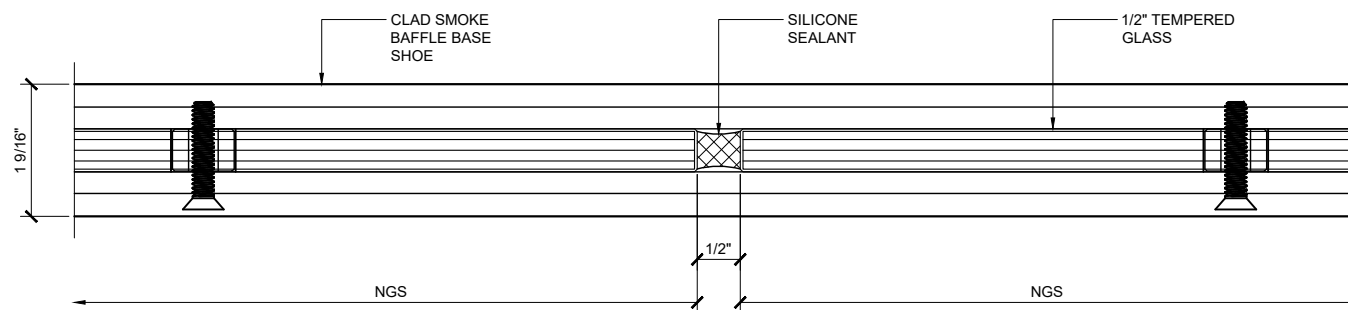
BLUMCRAFT SB200 SMOKE BAFFLE FOR 1/2" GLASS

Description:
CRL / BLUMCRAFT
SMOKE BAFFLE SYSTEMS
FOR 1/2" AND 3/4" GLASS

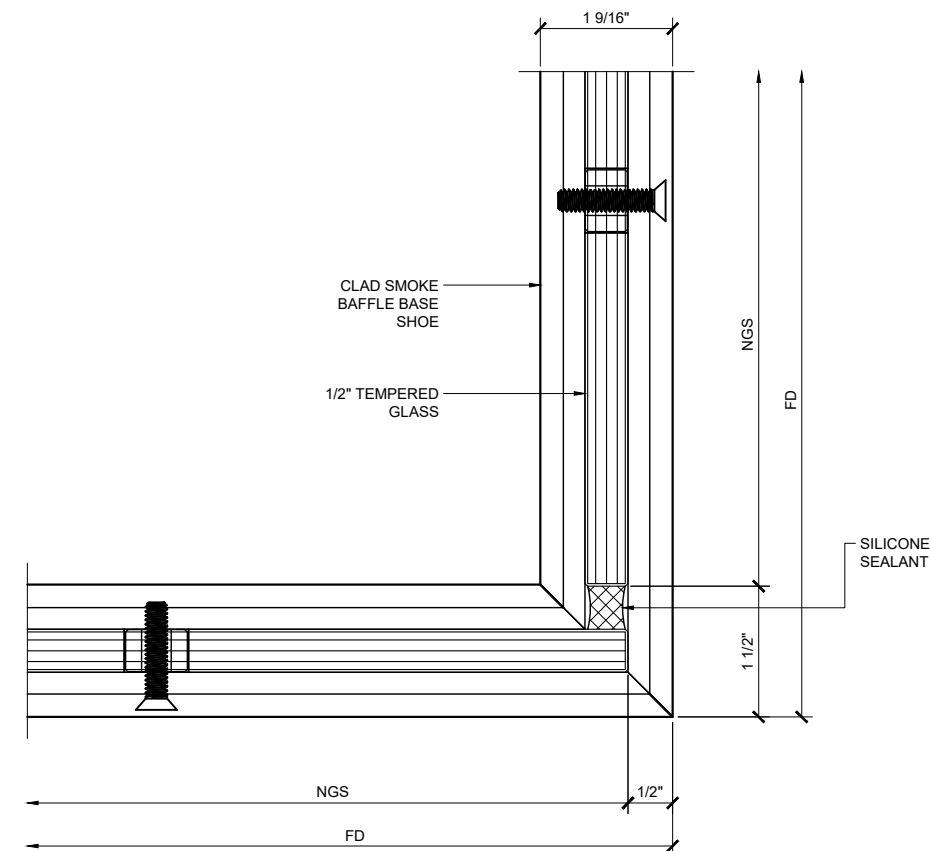
Drawn By: AAD
Date: 10/4/12
Scale: AS NOTED
File Name: CRL-Blumcraft Smoke Baffles.dwg



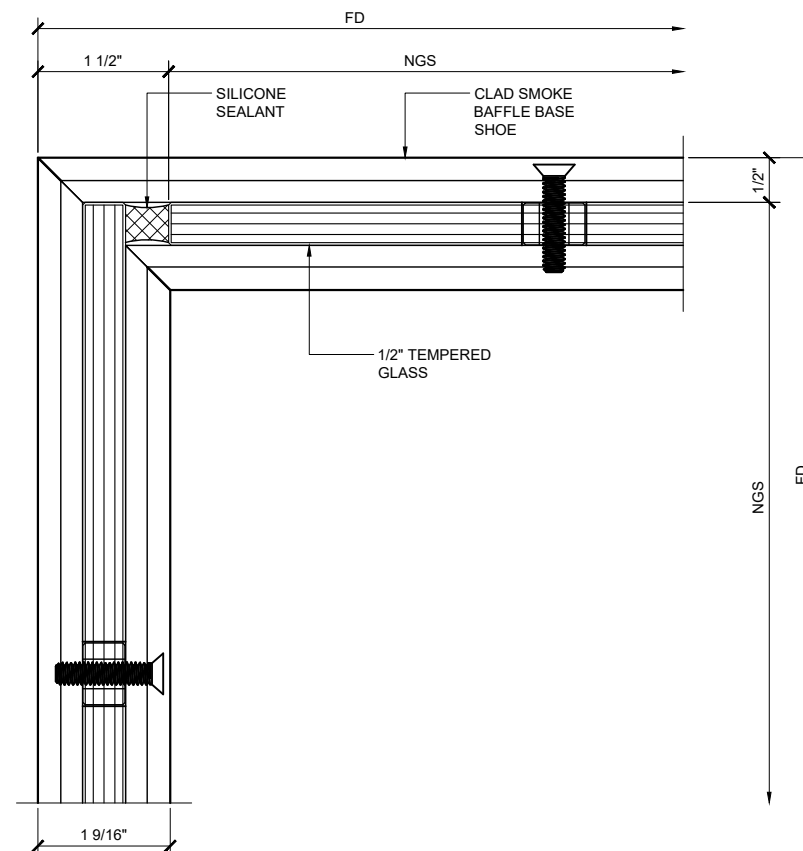
REFLECTED CEILING DETAIL AT JAMB (4)



REFLECTED CEILING DETAIL AT GLASS JOINT (5)



REFLECTED CEILING DETAIL AT OUTSIDE 90 (6)



REFLECTED CEILING DETAIL AT INSIDE 90 (7)

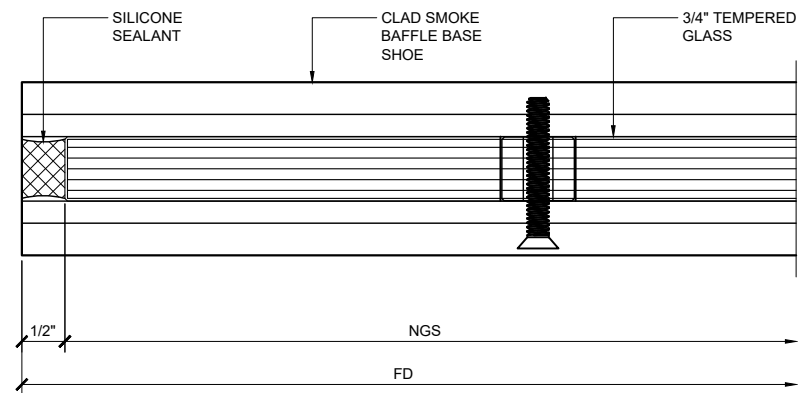
CRL B5B SERIES SMOKE BAFFLE FOR 1/2" GLASS

Revisions By:

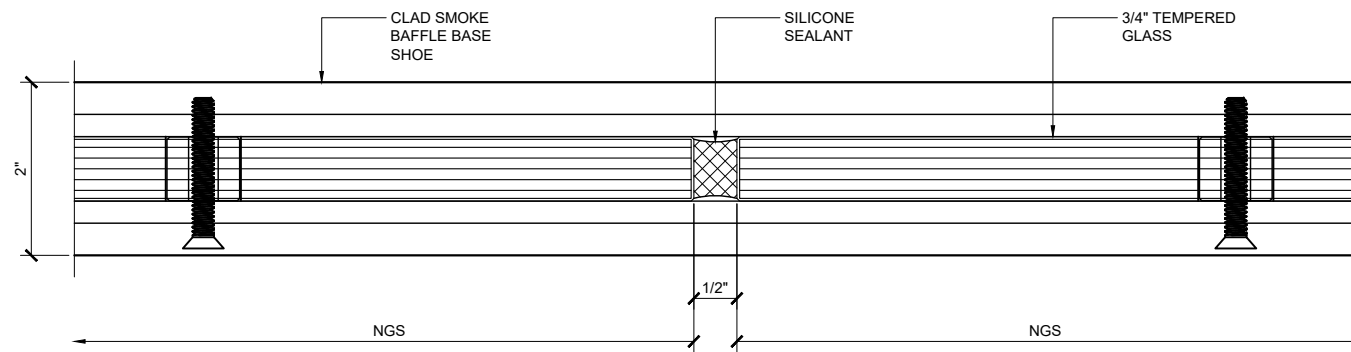
CRL
 C.R. LAURENCE CO. ARCHITECTURAL PRODUCTS
 13301 S. Orange Ave., Suite 100, Orange, CA 92668-1887
 Phone: (949) 421-5144 Fax: 800-557-7501 www.crlaurence.com

Discription:
 CRL / BLUMCRAFT
 SMOKE BAFFLE SYSTEMS
 FOR 1/2" AND 3/4" GLASS

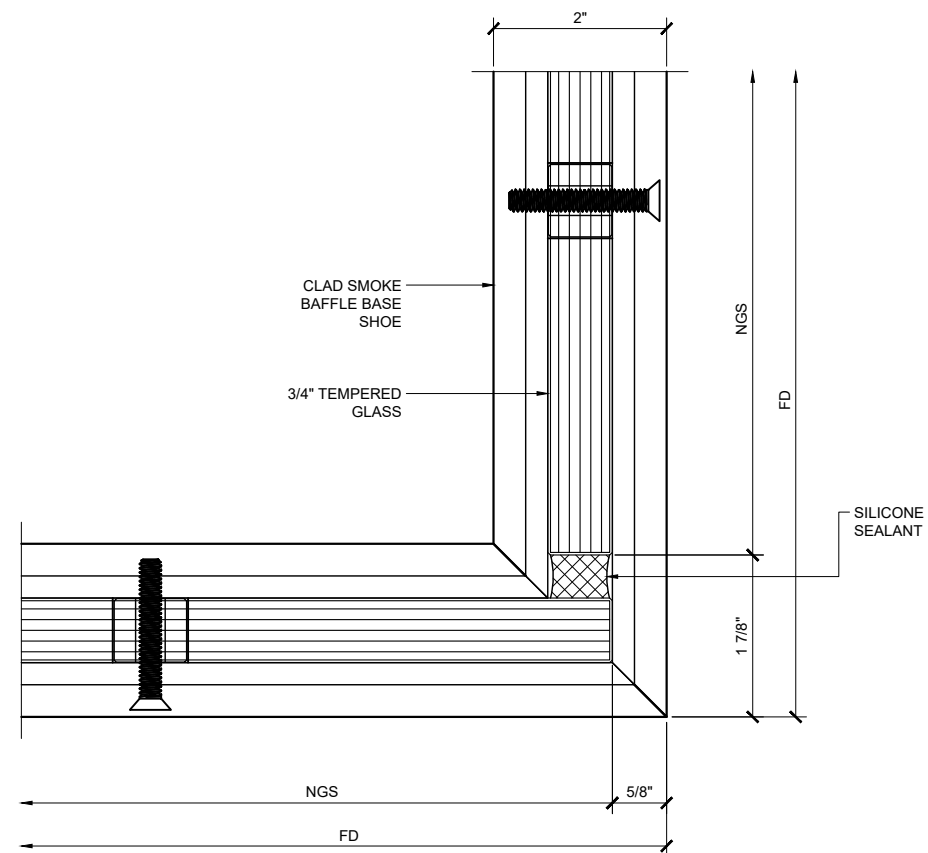
Drawn By: AAD
 Date: 10/4/12
 Scale: AS NOTED
 File Name: CRL-Blumcraft Smoke Baffles.dwg
 Sheet



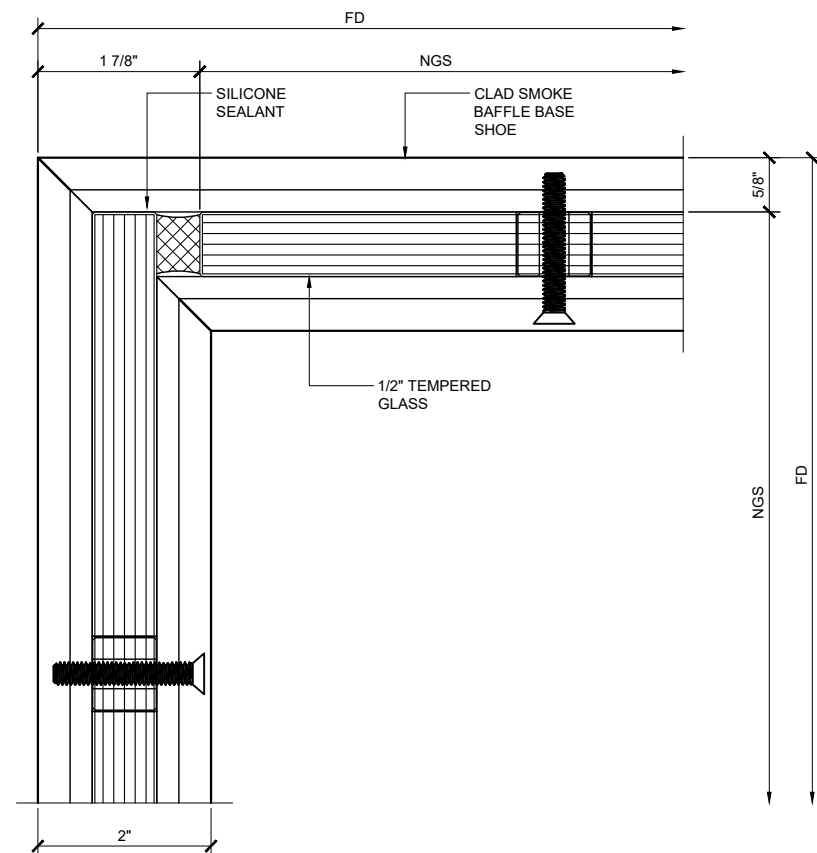
REFLECTED CEILING DETAIL AT JAMB (8)



REFLECTED CEILING DETAIL AT GLASS JOINT (9)



REFLECTED CEILING DETAIL AT OUTSIDE 90 (10)



REFLECTED CEILING DETAIL AT INSIDE 90 (11)

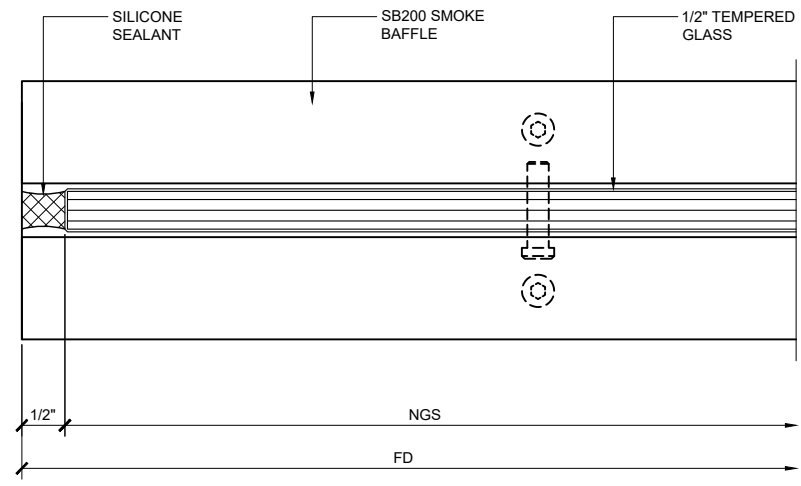
CRL B7B SERIES SMOKE BAFFLE FOR 3/4" GLASS

Revisions By:

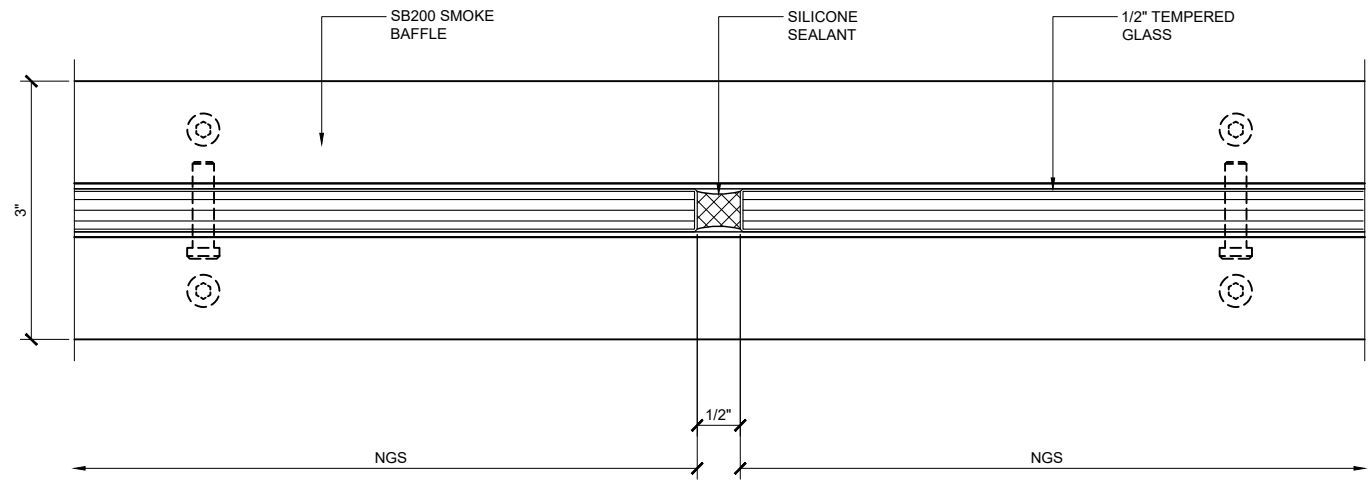
CRL
 C.R. LAURENCE CO. ARCHITECTURAL PRODUCTS
 17301 S. VENTURA BLVD., SUITE 100
 VAN NUYS, CA 91411
 PH: (800) 421-8114 TX: 805-557-7501 www.crlaurence.com

Disciplin:
 CRL / BLUMCRAFT
 SMOKE BAFFLE SYSTEMS
 FOR 1/2" AND 3/4" GLASS

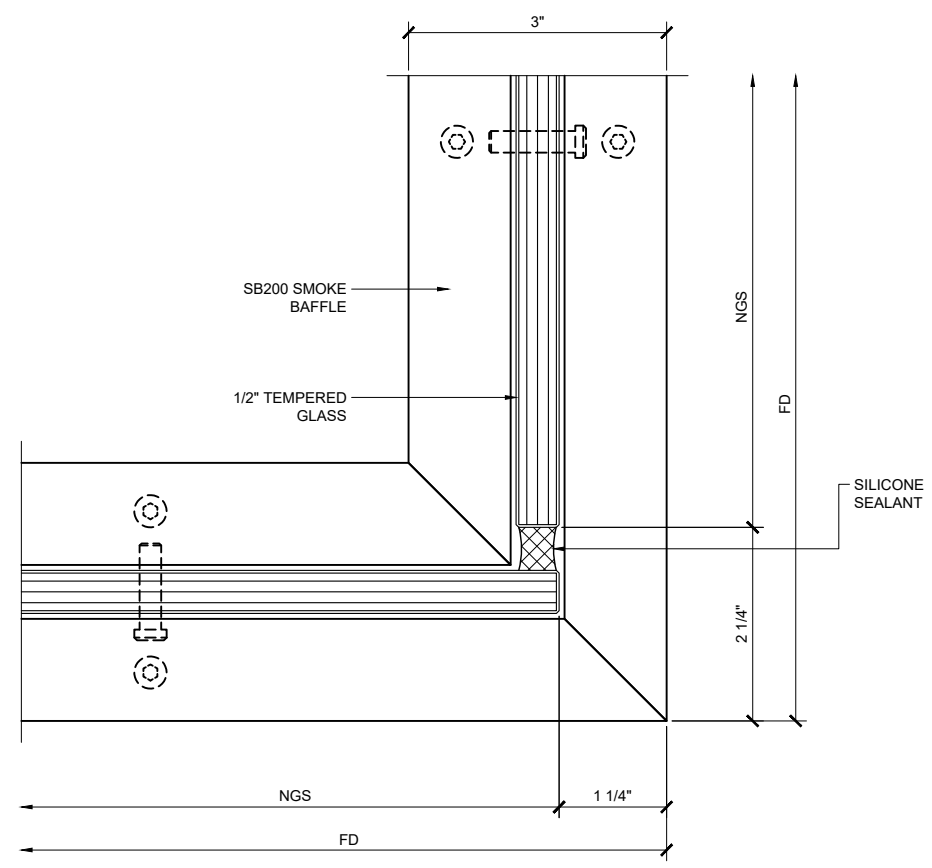
Drawn By: AAD
 Date: 10/4/12
 Scale: AS NOTED
 File Name: CRL-Blumcraft Smoke Baffles.dwg
 Sheet



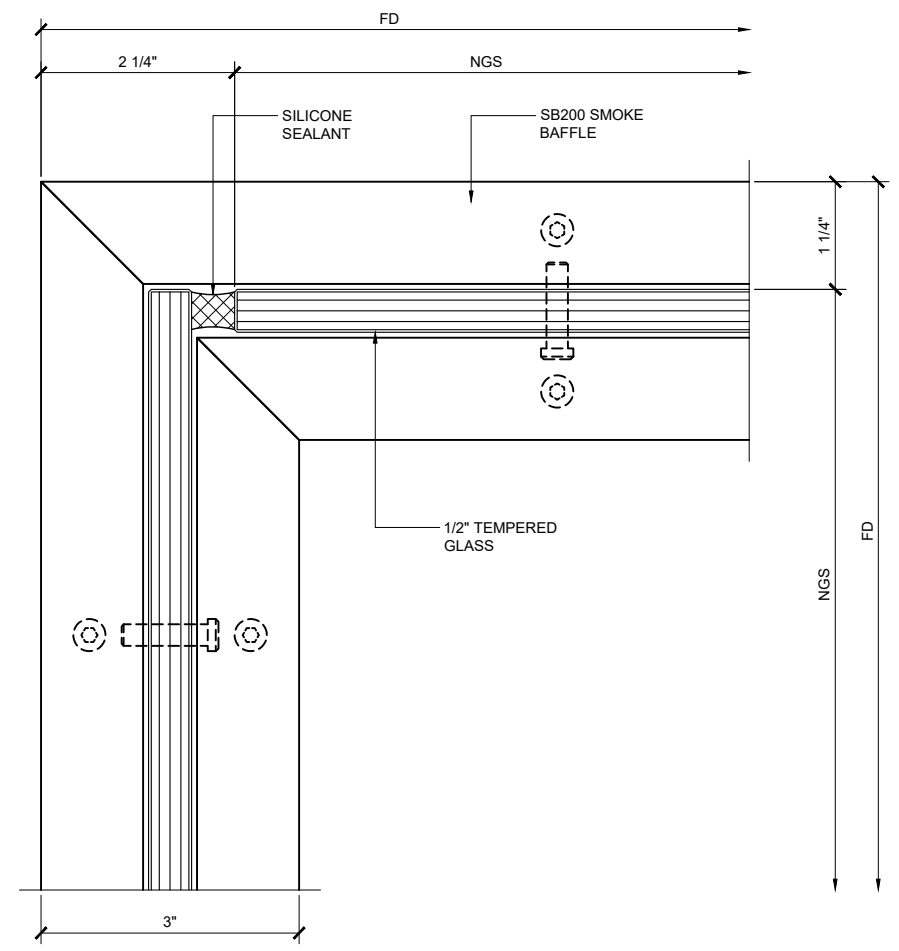
REFLECTED CEILING DETAIL AT JAMB (12)



REFLECTED CEILING DETAIL AT GLASS JOINT (13)




REFLECTED CEILING DETAIL AT OUTSIDE 90 (14)



REFLECTED CEILING DETAIL AT INSIDE 90 (15)

BLUMCRAFT SB200 SMOKE BAFFLE FOR 1/2" GLASS

Revisions By:	
	
C.R. LAURENCE CO. ARCHITECTURAL PRODUCTS 2330 S. Harbor Blvd., Suite 100, Orange, CA 92668-1887 PH: (800) 421-8114 TX: 800-557-7501 www.crlaurence.com	
Description: CRL / BLUMCRAFT SMOKE BAFFLE SYSTEMS FOR 1/2" AND 3/4" GLASS	
Drawn By: AAD Date: 10/4/12 Scale: AS NOTED File Name: CRL-Blumcraft Smoke Baffles.dwg	
Sheet	9