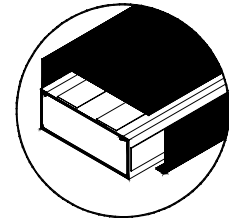
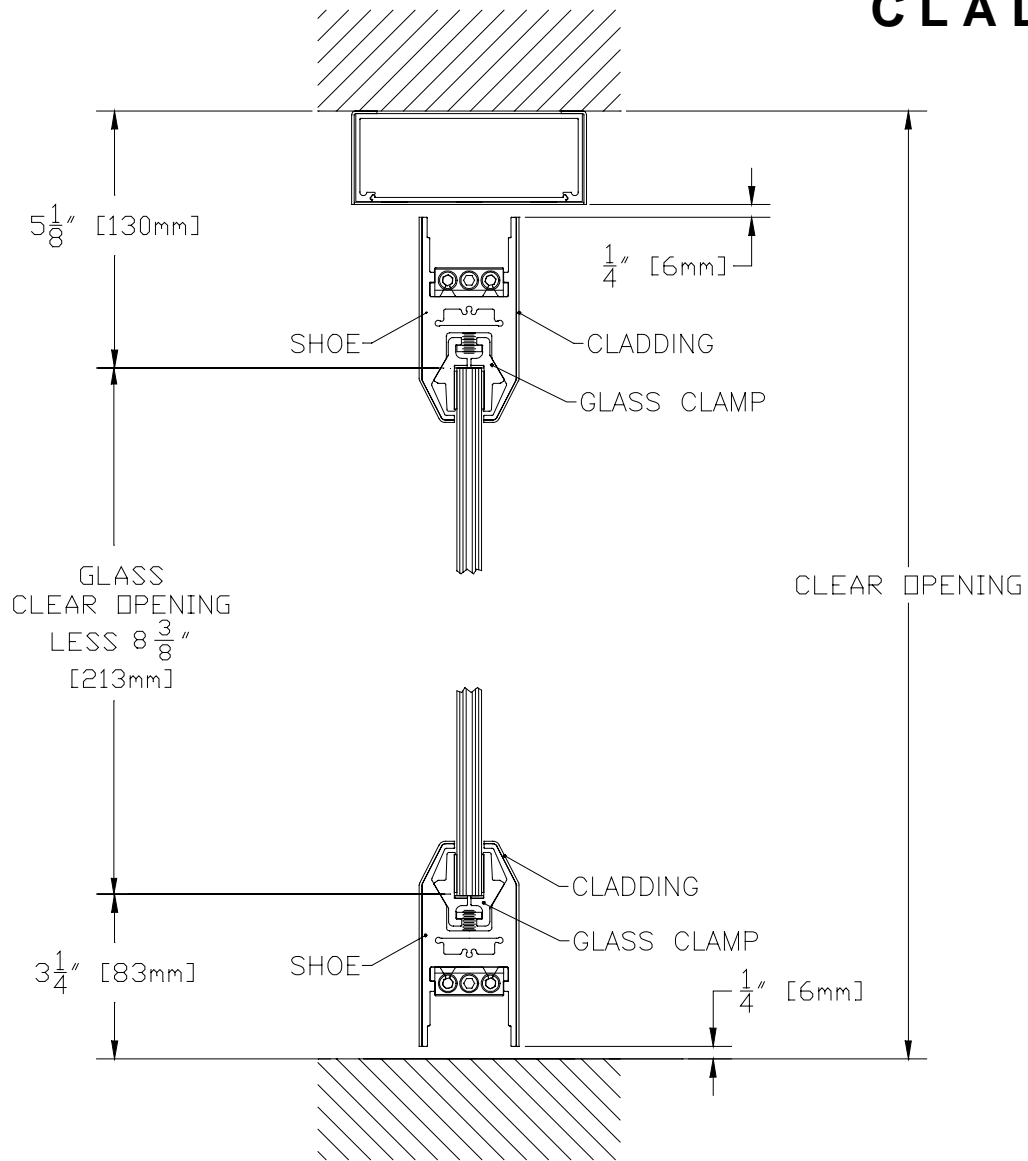


NOTES:

IF 1/2" [13mm] THRESHOLD IS USED,
THE DIMENSION FROM FLOOR TO GLASS
INCREASES BY 1/2" [13mm] I.E. GLASS
IS CLEAR OPENING LESS 8-7/8" [225mm]



CLAD



4" TAPERED DOOR RAIL CLAD
TOP AND BOTTOM WITH CLAD HEADER

GNL DOOR RAIL SYSTEM

C.R. Laurence Architectural Products

Phone Orders (800) 421-6144

Fax Orders (800) 262-3299

WWW.CRLAURENCE.COM

Patent Pending

STYLE 09