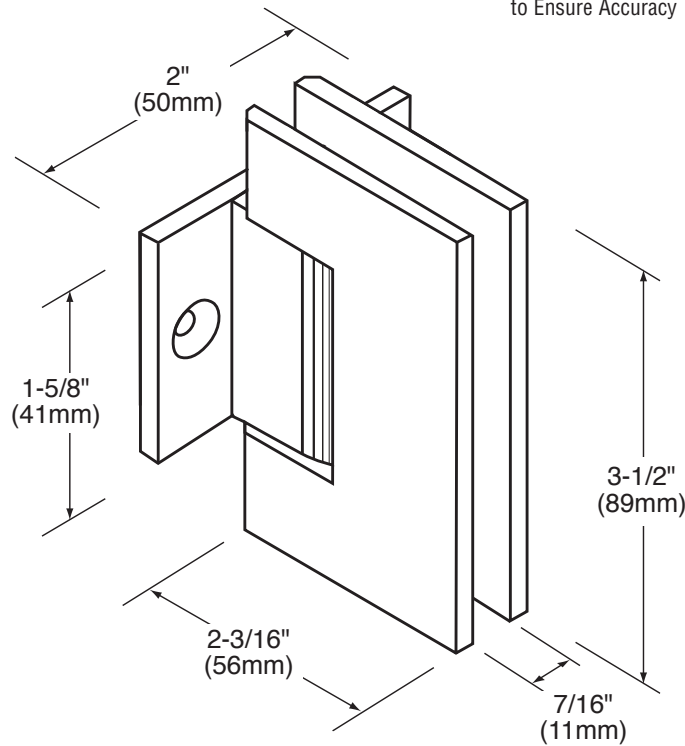


**\* SEE TEMPLATE ON BACK \***  
Refer to Dimensions Shown  
to Ensure Accuracy



## GENEVA

Pony Wall Mount Hinge – (For use with 135° Pony Walls)

CAT. NO. GEN245

**\*NOTE:** Do not exceed either maximum weight or width when choosing proper quantity of hinges.

### Important Information:

This hinge contains a dual degree pivot pin. The pivot pin is set for normal door closing position. You have the option of altering the closing position of the door 5 degrees inward by utilizing the opposite side of the pivot pin, which has been pre-machined (see Section 3 of Cat. No. SDT22 Frameless Shower Door Guide for this procedure). Special order custom pivot pins are available (Cat.No. GENPIN) that can be machined at any angle up to 45 degrees.

### Specifications:

Glass Sizes:	3/8" (10mm) to 1/2" (12mm) thick tempered safety glass
Construction:	Solid brass
Closing Type:	Self-centering when within 15° of closed position
Cutout Required	
Includes:	Gaskets, screws and template

### Maximum Door Capacities for Two Hinges or Three Hinges

Maximum Door Weight:	80 lbs.(36 kg)	120 lbs.(54 kg)
Maximum Door Width:	28"(711mm)	32"(813mm)

### Use of Gaskets:

For 3/8" (10mm) Glass: Use one thick gasket on each side  
For 1/2" (12mm) Glass: Use one thin gasket on each side

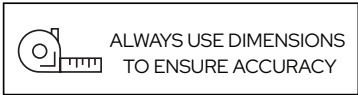
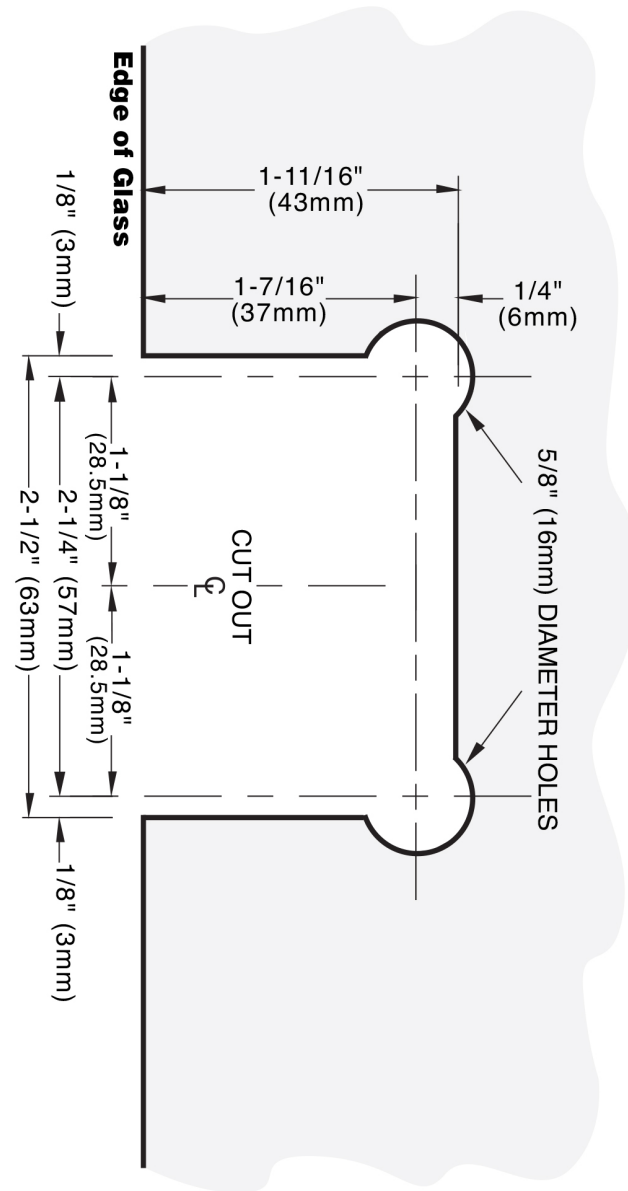
### Recommendations:

For public safety, we recommend the use of only tempered safety glass. Do not use power tools when installing these hinges.

### Maintenance Guidelines:

- Our hinges are greased at the factory for quiet and trouble-free operation. If there is any squeaking that occurs after installation, put a drop of "3 in 1 Oil" (also known as "household oil") on the white nylon washer that the hinge body pivots on. This washer is the component that acts as a buffer, so the body of the hinge doesn't pivot directly on the brass center block. This solution doesn't require the disassembly of the hinge. **Note: Do not use spray lubricant on these hinges.** If the hinge has been disassembled, upon re-assembly, use white lithium grease to lubricate the interior mechanism.
- Never use an abrasive cleaner on the hardware. Many of the components are coated with a clear lacquer that will be irreparably damaged if subjected to harsh, abrasive chemicals. Advise your customer that drying the hardware with a clean, soft towel on a daily basis is the best way to maintain the hardware. If mineral deposits build-up, mix a couple of drops of a mild liquid soap (such as Ivory or a similar product) into a cup of warm water. Using a soft, non-abrasive cloth, clean the hardware. Rinse thoroughly with clean, warm water and dry.

**IMPORTANT:** Project measurements from the edge of the glass.



## GENEVA

Pony Wall Mount Hinge – (For use with 135° Pony Walls)

CAT. NO. GEN245