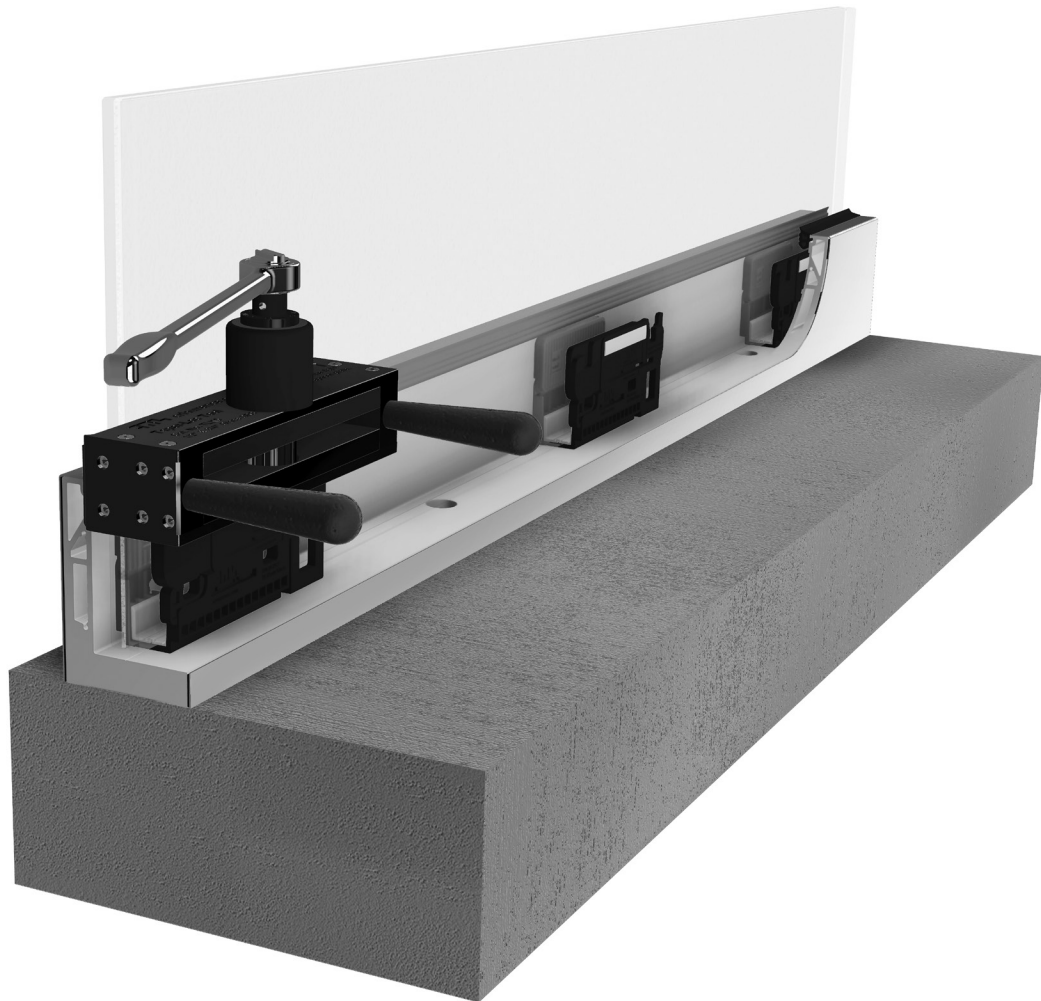


# USER INSTRUCTIONS



GLASS ANGLE - ADJUSTABLE  
DRY GLAZE RAILING SYSTEM  
FOR LAMINATED TEMPERED GLASS



---

Phone: (800) 421-6144 Ext. 7730 • Fax: (800) 587-7501  
crlaurence.com • usalum.com • crl-arch.com  
railings@crlaurence.com

---

# TABLE OF CONTENTS

XAL TAPERS ..... 03

TAPER SET SPACING ..... 04

GLAZING PANEL PLACEMENT ..... 05-07

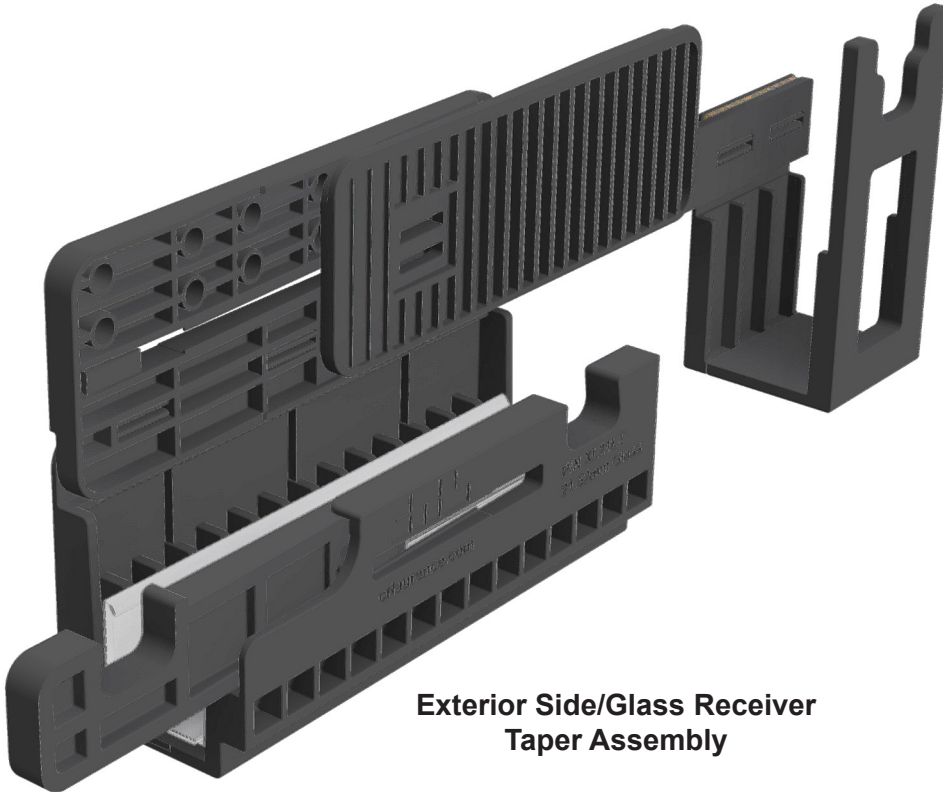
SETTING THE GLAZING PANEL ..... 08-12

**NOTE: THE TAPER-LOC XAL SYSTEM IS DESIGNED TO WORK EXCLUSIVELY WITH THE CRL 9BL21, L21 BASE SHOE FOR 27/32" (21.52 mm) LAMINATED TEMPERED GLASS.**

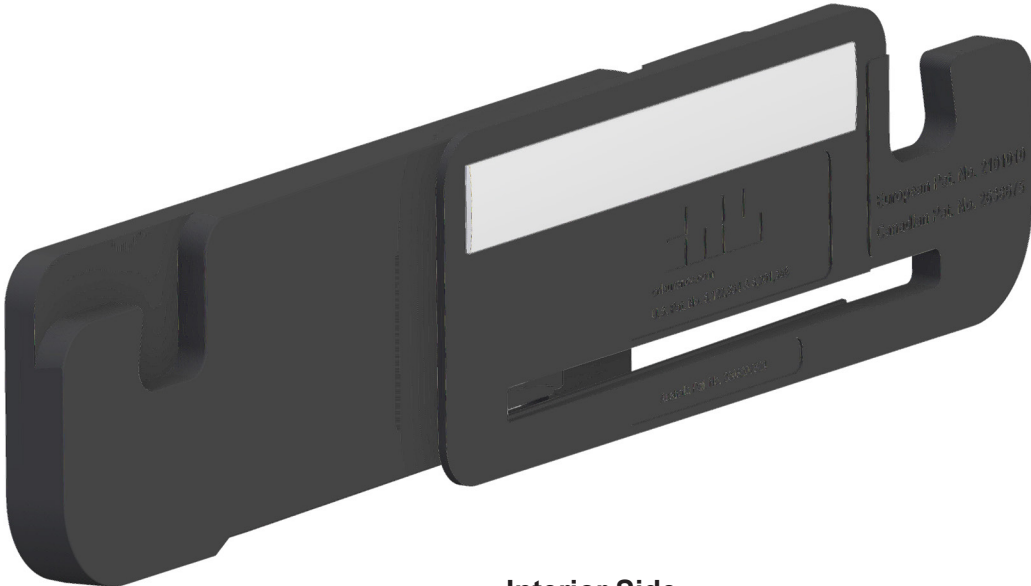
Glass Thickness	Base Shoe Series	Taper-Loc XAL Product Number
27/32" (21.52 mm)	L21 and 9BL21	XL21LT

# XAL TAPERS

---



**Exterior Side/Glass Receiver  
Taper Assembly**



**Interior Side  
Taper Assembly**

**TAPER SET SPACING**

1. Make sure the Base Shoe is plumb and level.
2. Remove all dirt and debris from the Base Shoe pocket.
3. Make sure all Base Shoe Anchors are secured tightly.
4. Determine the number of TAPER-LOC<sup>®</sup> sets required for each glazing panel from the chart below.

**Taper Sets are required as follows:**



**TYPICAL BASE SHOE ELEVATION DETAIL WITH TAPER-LOC<sup>®</sup> LOCATIONS**

**IMPORTANT NOTE:**

EACH TAPER SET MUST HAVE A MATCHING SET ON THE OPPOSITE SIDE OF THE GLASS IN ORDER TO AVOID GLASS BREAKAGE WHEN TENSIONED.

**LAMINATED TEMPERED GLASS**

**"A"** The TAPER-LOC<sup>®</sup> edge distance spacing shall not be less than 2" (51 mm) **minimum** and 8-5/8" (219 mm) **maximum** from the edge of glass to edge of the TAPER-LOC<sup>®</sup> components.

**"B"** The TAPER-LOC<sup>®</sup> **minimum** center-to-center spacing shall not be less than 9" (228 mm) and **maximum** 14" (355 mm) from the center line of the TAPER-LOC<sup>®</sup> Tapers.

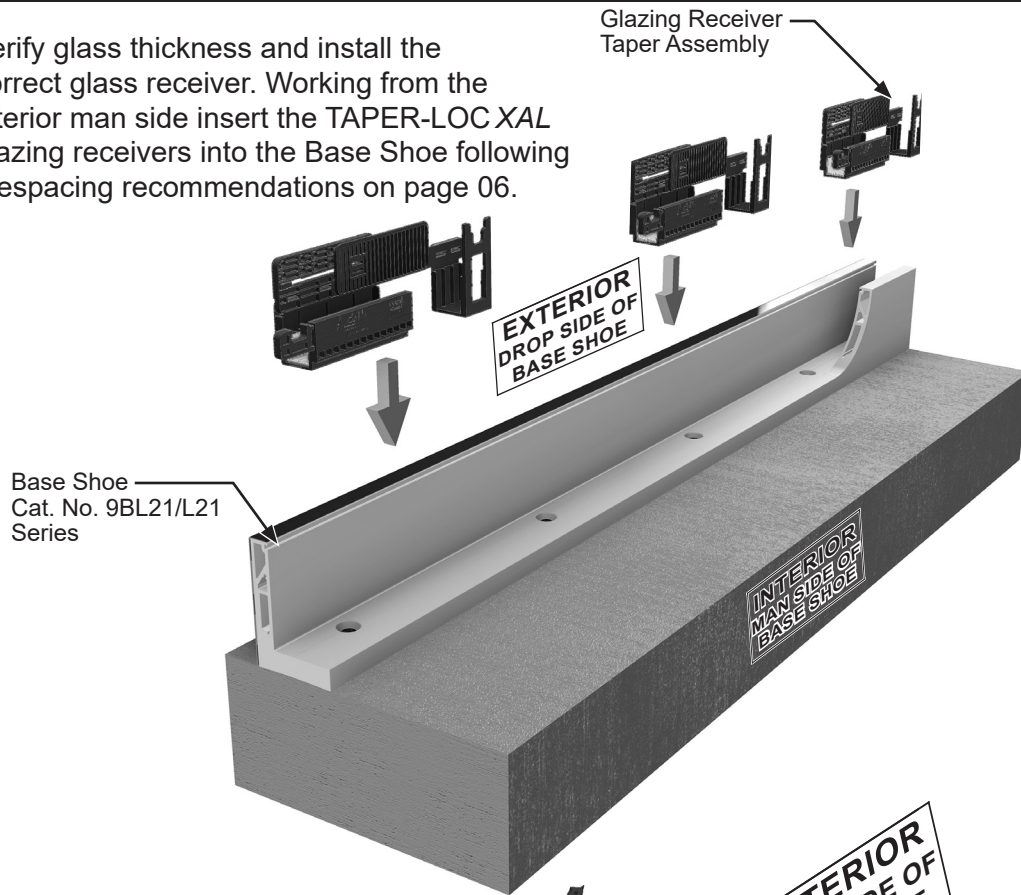
<b>PANEL WIDTH</b>	<b>MINIMUM TAPER SETS PER SIDE</b>
9" to 18" (230 - 458 mm)	1 Set
18" to 27" (458 - 686 mm)	2 Sets
27" to 36" (686 - 915 mm)	3 Sets
36" to 45" (915 - 1143 mm)	4 Sets
45" to 54" (1143 - 1372 mm)	5 Sets
54" to 63" (1372 - 1600 mm)	6 Sets

**NOTE:**

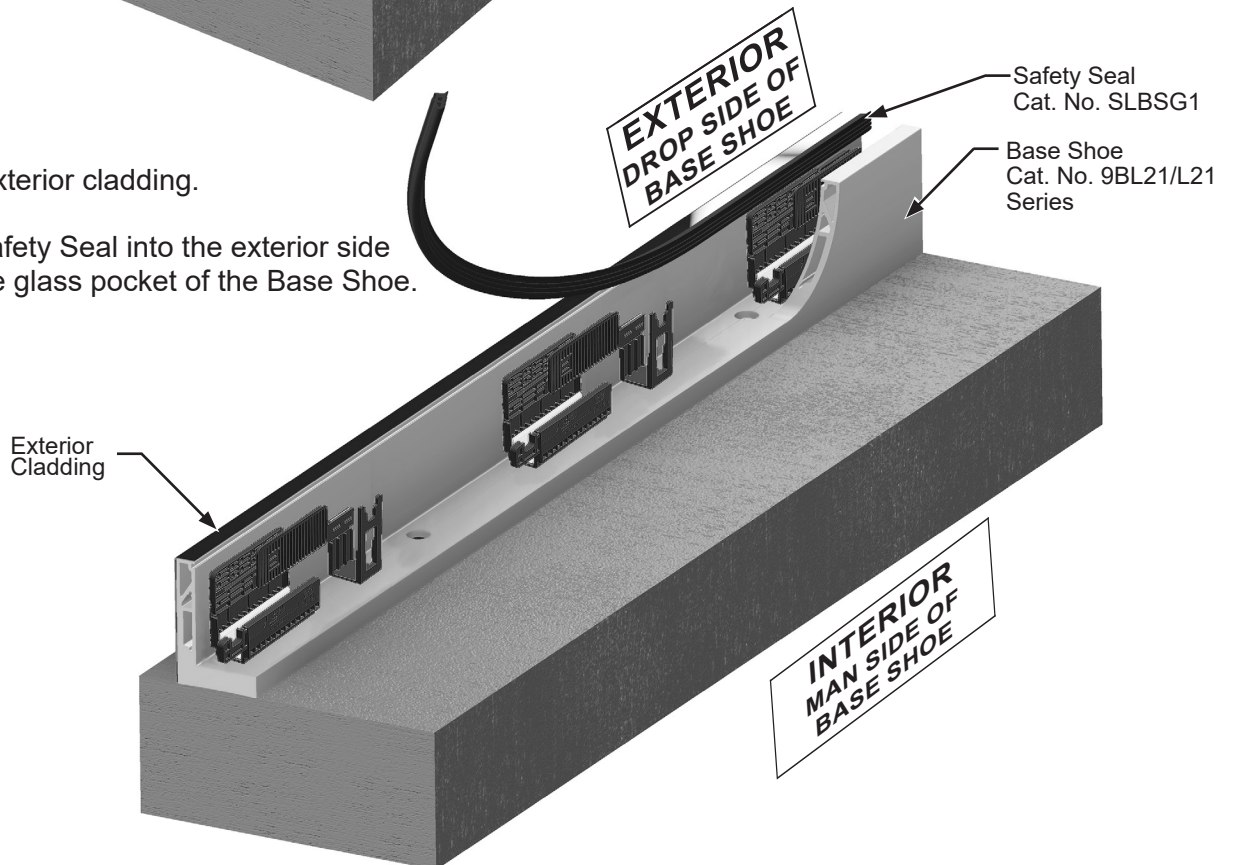
The above tables represent the **MINIMUM** number of taper sets per panel size. Situations may occur that allow one or two more taper sets to be inserted without collision. If possible, we recommend that you do so.

**GLAZING PANEL PLACEMENT**

1. Verify glass thickness and install the correct glass receiver. Working from the interior man side insert the TAPER-LOC XAL glazing receivers into the Base Shoe following the spacing recommendations on page 06.

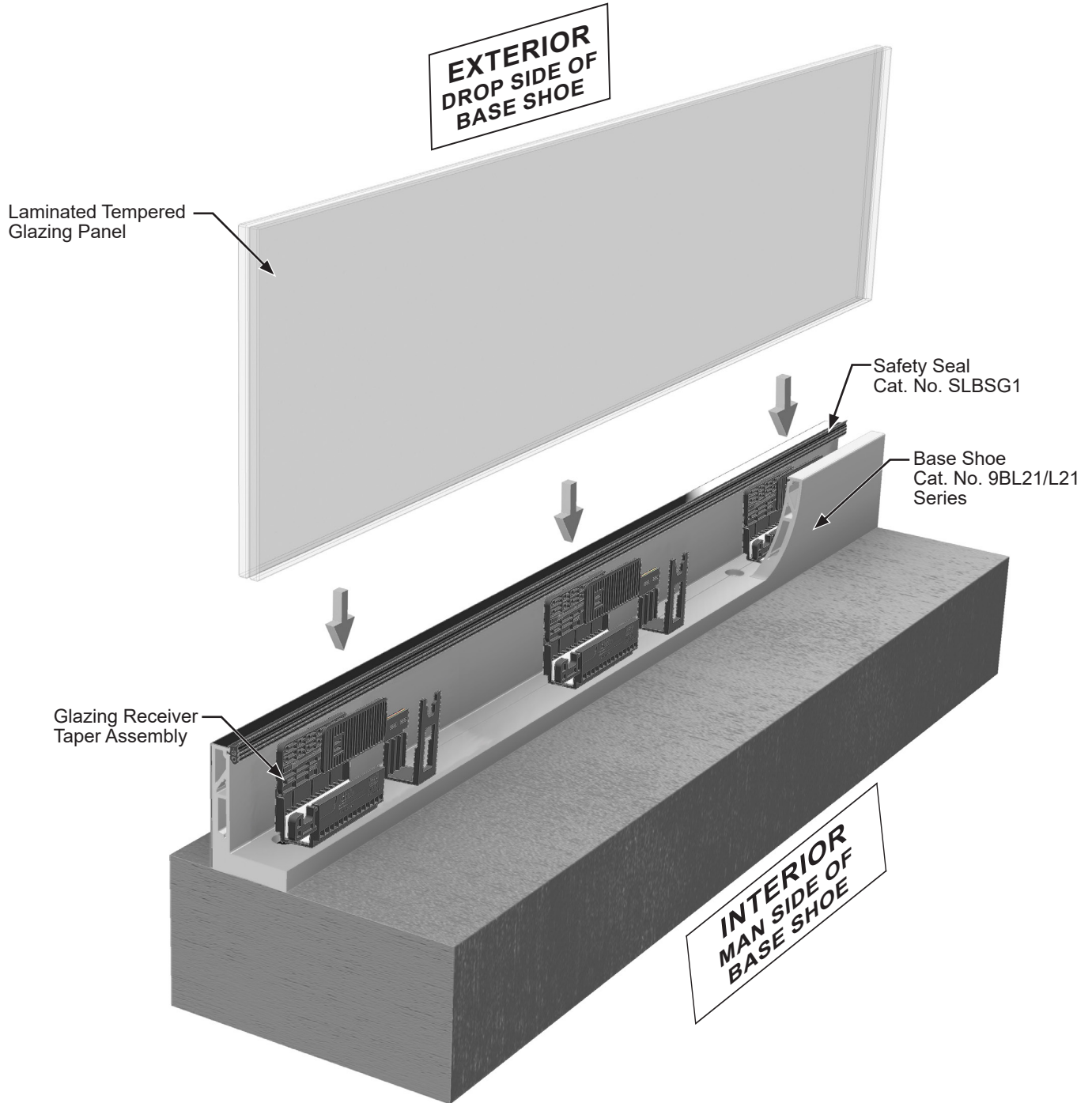


2. Attach the exterior cladding.
3. Press the Safety Seal into the exterior side groove in the glass pocket of the Base Shoe.



**GLAZING PANEL PLACEMENT**

4. Insert the glazing panel into the TAPER-LOC XAL glazing receivers and hold in place.



**GLAZING PANEL PLACEMENT**

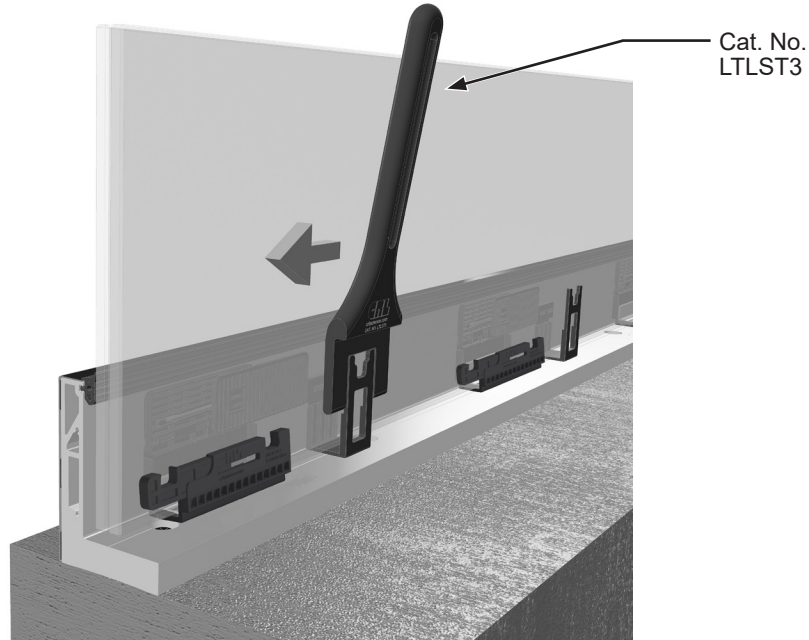
---

5. Plumb the glazing panel.

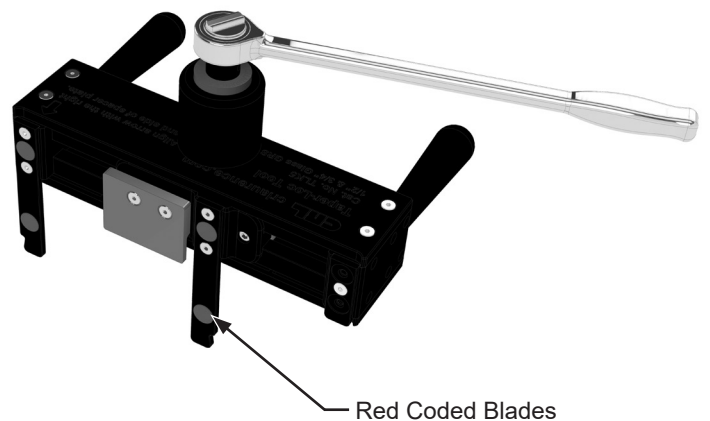
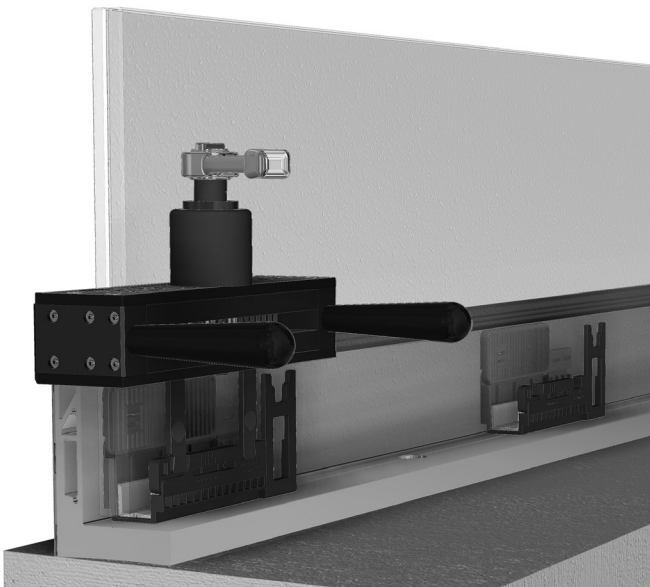


## SETTING THE GLAZING PANEL

6. While holding the glazing panel in position, use Cat. No. LTLST3 Setting Tool to expand each glazing receiver taper set. Slide to the left until the glass fits snugly.



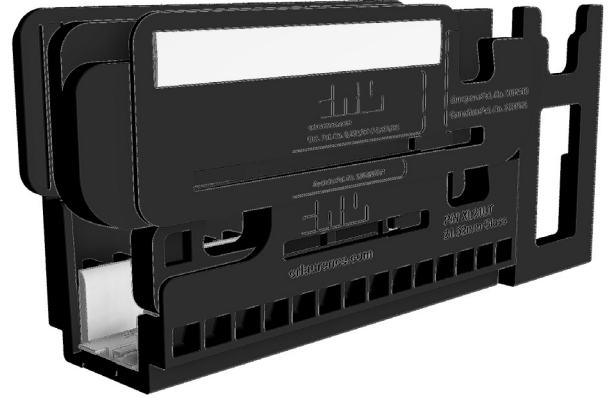
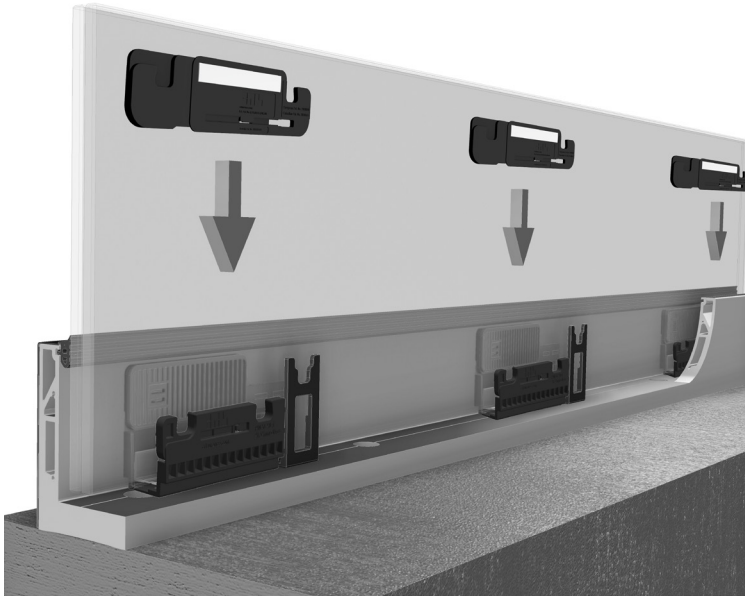
7. Using the TAPER-LOC<sup>®</sup> Installation/Removal Tool (Cat. No. TLK12), place the red coded blades into the locking arm slots. Tighten all locking arms until the torque limiter makes a clicking sound. It is a good idea to lock-up both ends of each panel and double check alignment before locking the Tapers in between. Repeat this process a second time to ensure locking arms are snug. Check for plumb as you lock each arm. If the glazing panel requires adjustment unlock the Man Side pull the glass at the top toward the Man Side to remove pressure from the glass receiver tapers, repeat steps 6,7, and 8.





**SETTING THE GLAZING PANEL**

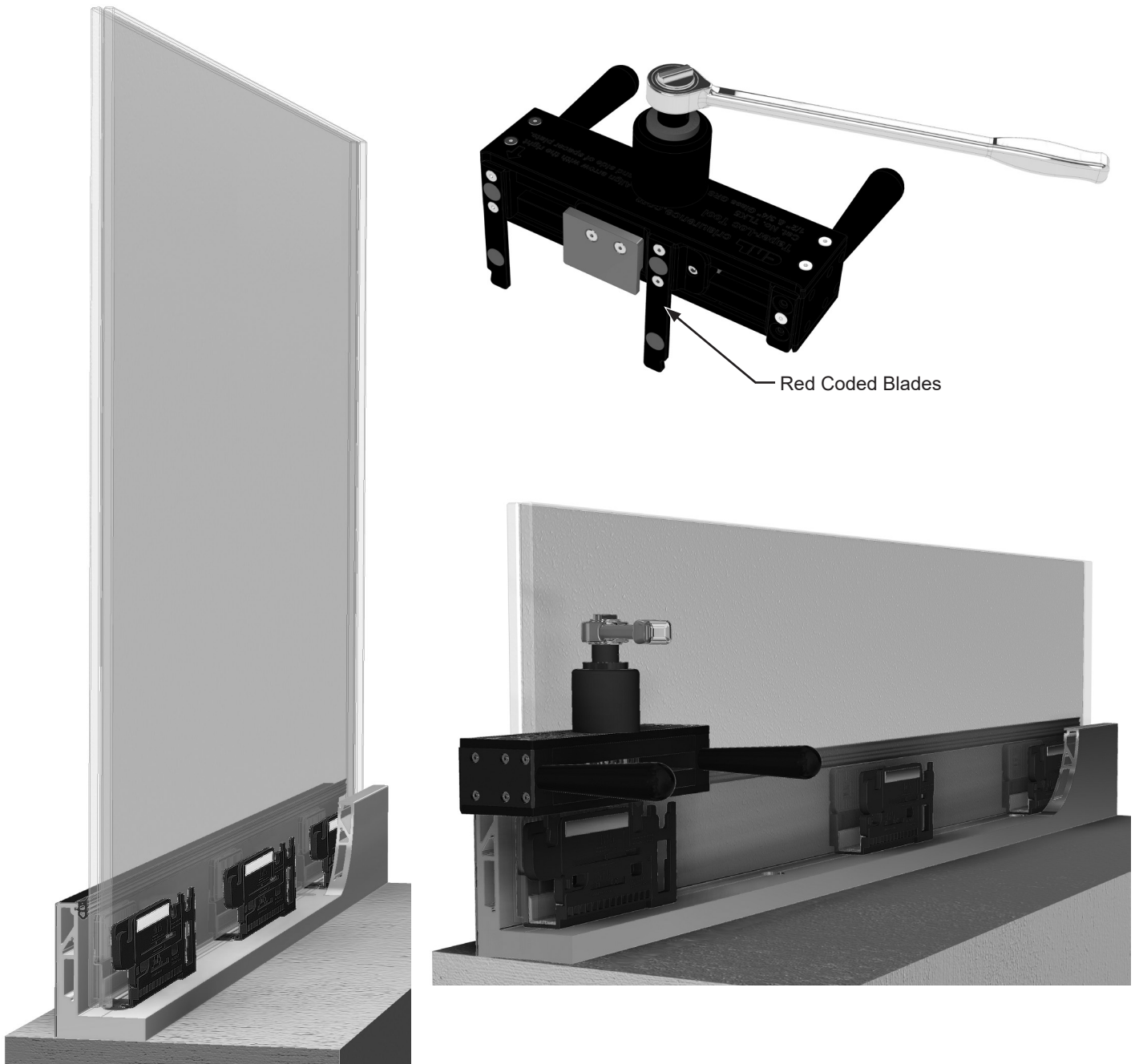
8. Starting in the center insert man side tapers assembly into the space between the glazing panel and the interior glazing pocket surface, make sure it is sitting on the shoulder and in alignment of the glazing receiver. See the detail below.



**NOTE: EACH TAPER ASSEMBLY SHOULD REST ON THE TOP EDGE OF THE GLAZING RECEIVER AND IN ALIGNMENT.**

## SETTING THE GLAZING PANEL

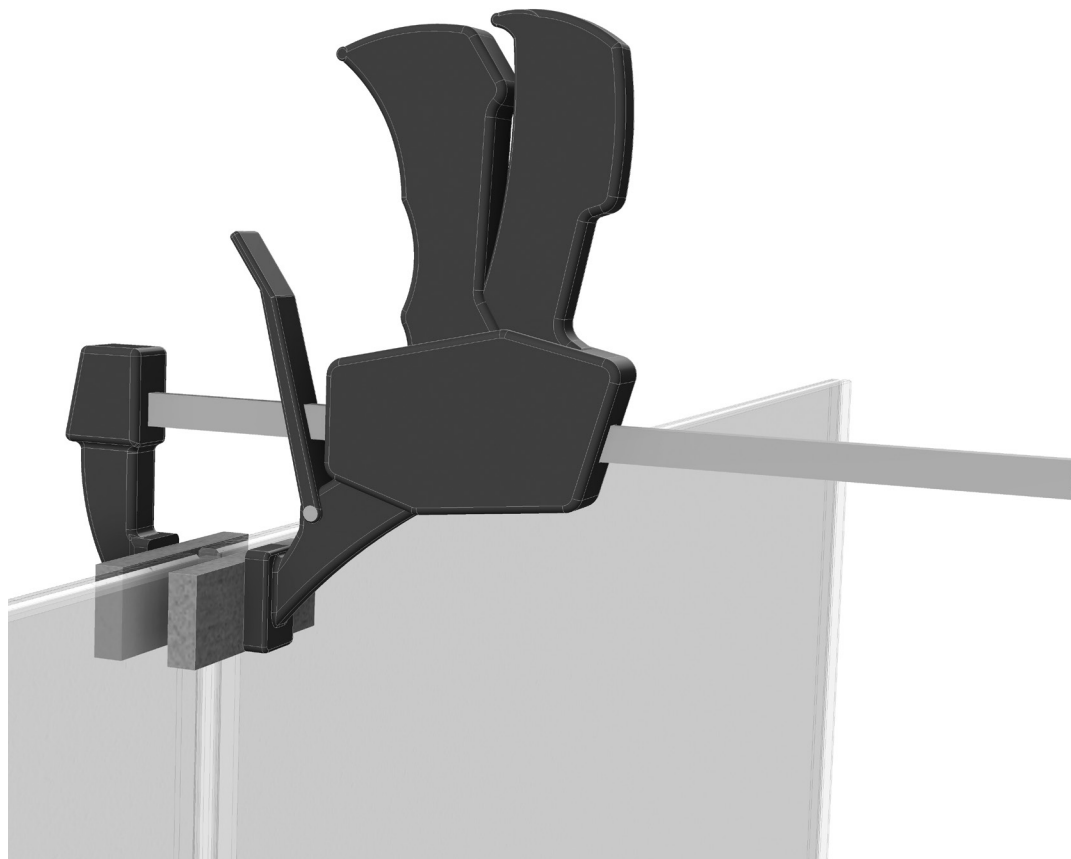
9. Using the TAPER-LOC<sup>®</sup> Installation/Removal Tool (Cat. No. TLK12), place the red coded blades into the taper set slots. Tighten all taper sets until the torque limiter makes a clicking sound. It is a good idea to lock-up both ends of each panel and double check alignment before locking the Tapers in between. Repeat this process a second time to ensure tapers are snug. Check for plumb as you lock each taper set. If the glazing panel requires adjustment unlock the Man Side pull the glass at the top toward the Man Side to remove pressure from the glass reciever tapers, repeat steps 6,7, and 8.



**SETTING THE GLAZING PANEL**

---

10. Use the fixed glazing panel as a guide to align the other panels by clamping (2) flat pieces of wood as shown below. Repeat steps 1 thru 9 for all glazing panels, verify plumb.



**SETTING THE GLAZING PANEL**

---

11. Attach the interior cladding using AT234 Foam Bonding Tape and/or 95CBL Neutral Cure Silicone.
12. Complete the installation by pressing in the Man Side Safety Seal on the interior side.

